

THIS DRAWING IS UNPUBLISHED. RELEASED FOR PUBLICATION 1825006, 1825006
 © COPYRIGHT 1825006 BY TYCO ELECTRONICS CORPORATION. ALL RIGHTS RESERVED.

Loc		DIST		REVISIONS			
P	LTR	DESCRIPTION		DATE	DWN	APVD	
	01	ECO 06 018279		21NOV06	BSV	MS	

SPECIFICATIONS:

MATERIALS:

CASE-PPS, UL94V0-BLACK
 COVER-PPS, UL94V0-BLACK
 ACTUATOR-LCP, UL94V0-WHITE
 CONTACTS AND TERMINALS-COPPER ALLOY, GOLD OVER NICKEL
 TAPE SEAL-POLYIMIDE FILM

ELECTRICAL:

CONTACT RATING: NON-SWITCHING: 100mA @ 50VDC
 SWITCHING: 25mA 24VDC
 INITIAL CONTACT RESISTANCE: 100 MILLIOHMS MAX. @ 2VDC, 10mA
 INSULATION RESISTANCE: 100 MEGOHMS MIN. @ 100VDC
 DIELECTRIC STRENGTH: 300VAC FOR 1 MINUTE
 LIFE EXPECTANCY: 1000 CYCLES

MECHANICAL:

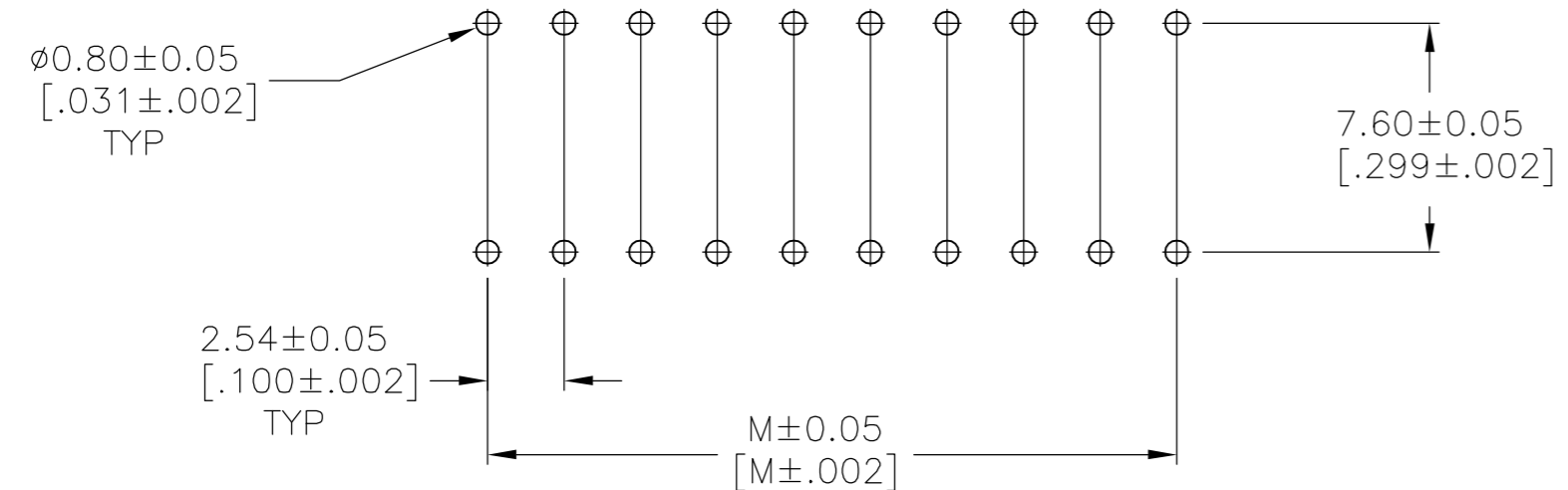
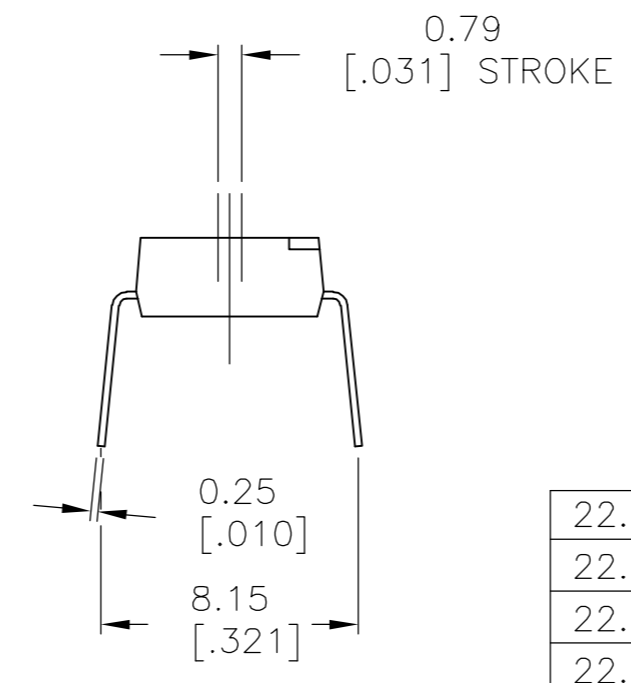
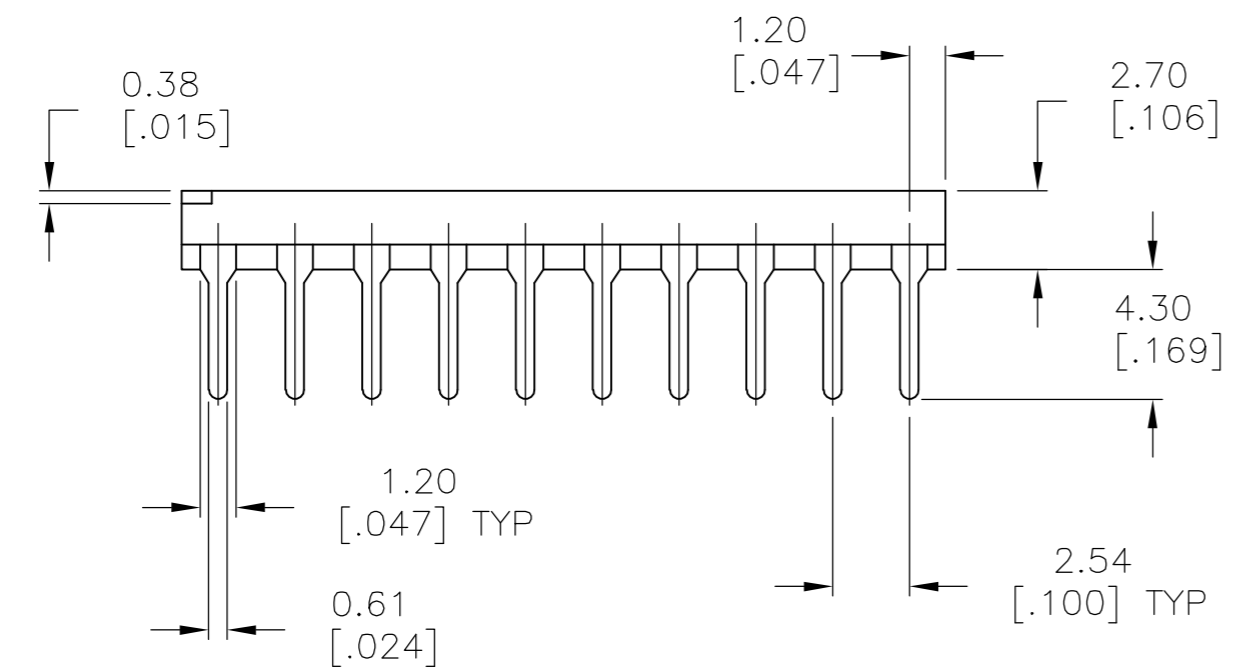
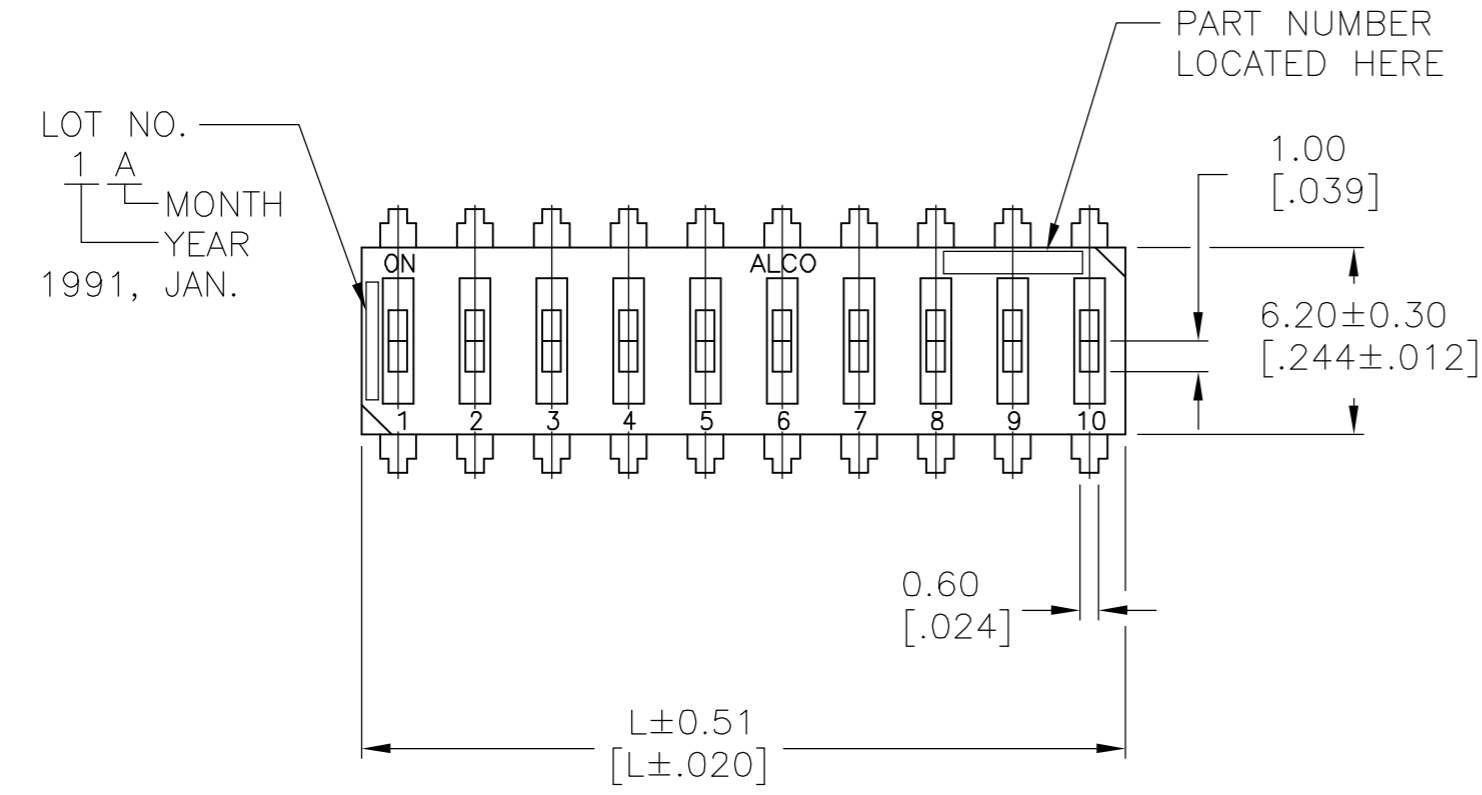
ACTUATION FORCE: 60-600 GRAMS

ENVIRONMENTAL:

OPERATING TEMPERATURE: -45°C TO +100°C
 STORAGE TEMPERATURE: -45°C TO +100 °C
 SOLDER HEAT RESISTANCE PER 109-202, CONDITION B (THRU-HOLE) OR 109-201, CONDITION B (SMT)
 SOLDERABILITY PER JIS C 0500 & JIS C 0053

NOTES:

1. TAPE AND REEL PACKAGING PER EIA 481 - PART NO.S GDSXXSTR.
2. ALL MATERIALS AND FINISHES SHALL COMPLY WITH EU DIRECTIVE 2002/95/EC OF 27JAN2003 (ROHS)
3. SEE SHEET 2 FOR SURFACE MOUNTING DETAILS.



P.C.B. HOLE LAYOUT

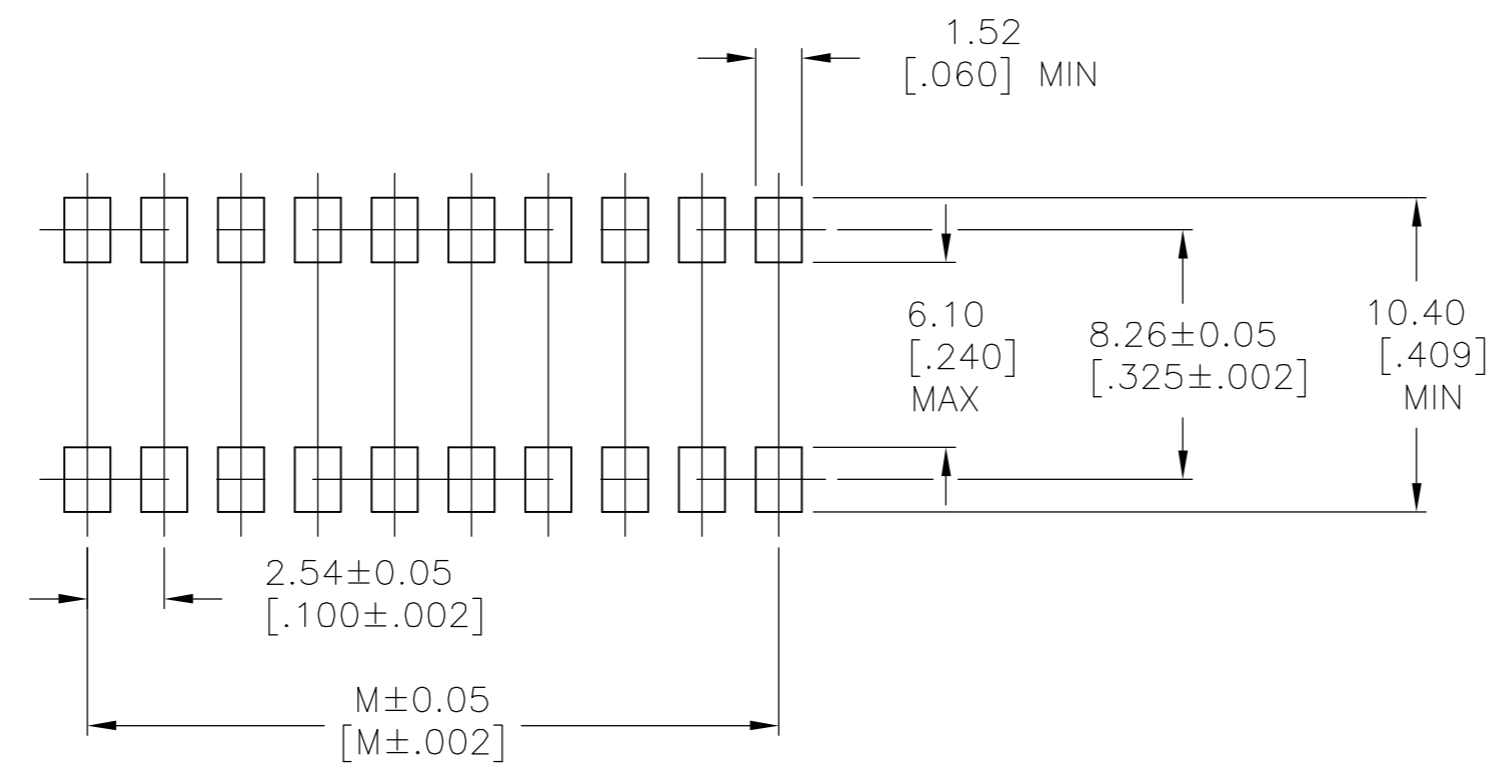
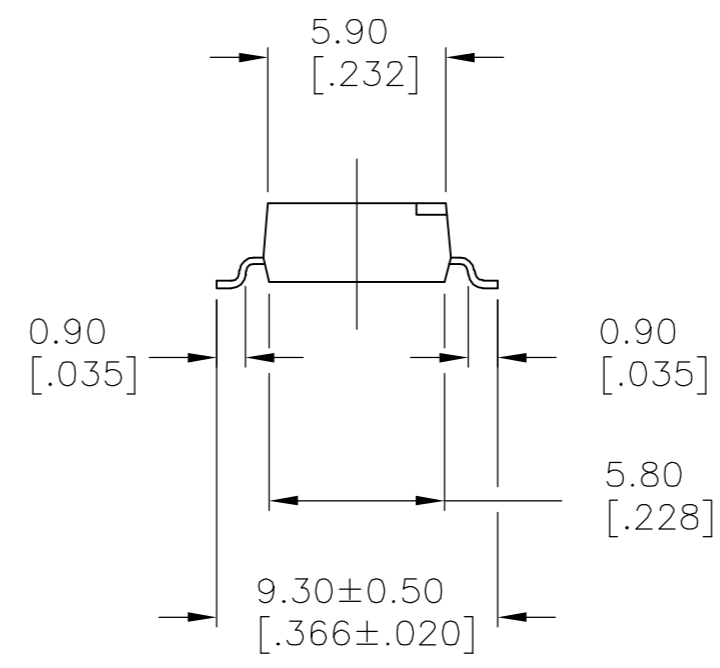
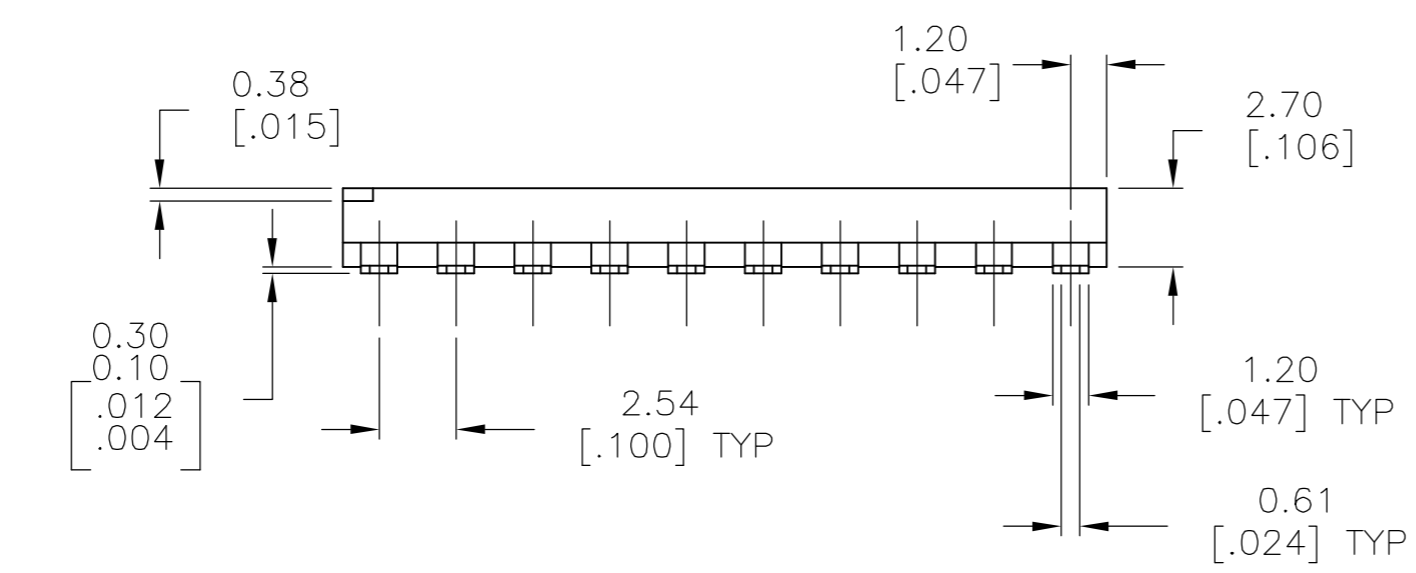
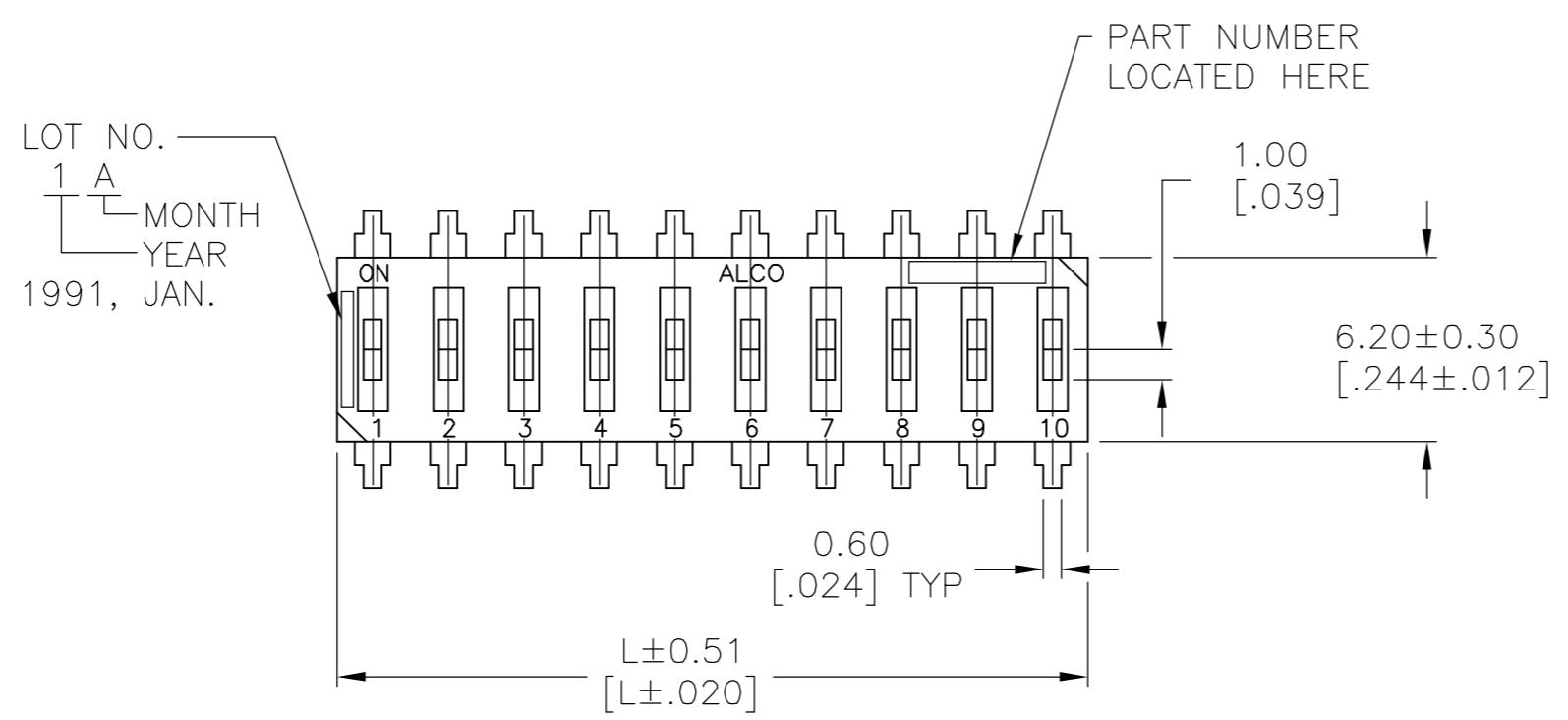
22.86[.900]	25.25[.994]	TAPE	SMT	10	GDS10STR04	2-1825006-0
22.86[.900]	25.25[.994]	TAPE	SMT	10	GDS10S04	1-1825006-9
22.86[.900]	25.25[.994]	NONE	T/H	10	GDS10NTS04	1-1825006-8
22.86[.900]	25.25[.994]	TAPE	T/H	10	GDS1004	1-1825006-7
17.78[.700]	20.17[.794]	TAPE	SMT	8	GDS08STR04	1-1825006-6
17.78[.700]	20.17[.794]	TAPE	SMT	8	GDS08S04	1-1825006-5
17.78[.700]	20.17[.794]	NONE	T/H	8	GDS08NTS04	1-1825006-4
17.78[.700]	20.17[.794]	TAPE	T/H	8	GDS0804	1-1825006-3
12.7[.500]	15.09[.594]	TAPE	SMT	6	GDS06STR04	1-1825006-2
12.7[.500]	15.09[.594]	TAPE	SMT	6	GDS06S04	1-1825006-1
12.7[.500]	15.09[.594]	NONE	T/H	6	GDS06NTS04	1-1825006-0
12.7[.500]	15.09[.594]	TAPE	T/H	6	GDS0604	1825006-9
7.62[.300]	10.01[.394]	TAPE	SMT	4	GDS04STR04	1825006-8
7.62[.300]	10.01[.394]	TAPE	SMT	4	GDS04S04	1825006-7
7.62[.300]	10.01[.394]	NONE	T/H	4	GDS04NTS04	1825006-6
7.62[.300]	10.01[.394]	TAPE	T/H	4	GDS0404	1825006-5
2.54[.100]	4.93[.194]	TAPE	SMT	2	GDS02STR04	1825006-4
2.54[.100]	4.93[.194]	TAPE	SMT	2	GDS02S04	1825006-3
2.54[.100]	4.93[.194]	NONE	T/H	2	GDS02NTS04	1825006-2
2.54[.100]	4.93[.194]	TAPE	T/H	2	GDS0204	1825006-1
DIM M	DIM L	SEAL	MTG	POLE	OLD T&B P/N	TYCO P/N

THIS DRAWING IS A CONTROLLED DOCUMENT.

DWN	B.S.VISWESWARA	03MAR05	 Tyco Electronics Corporation Harrisburg, Pa 17105-3608
CHK	M.S.SARVER	-	
APVD	M.S.SARVER	-	
PRODUCT SPEC	M.S.SARVER	-	
DIMENSIONS: mm [INCHES] TOLERANCES UNLESS OTHERWISE SPECIFIED: 0 PLC ± - 1 PLC ± - 2 PLC ± 0.25[.010] 3 PLC ± - 4 PLC ± - ANGLES ± 1° MATERIAL - FINISH -			NAME DIP SWITCH ASSEMBLY GDS SERIES
WEIGHT - CUSTOMER DRAWING			SIZE A2 CAGE CODE 00779 DRAWING NO C=1825006 RESTRICTED TO - SCALE 4:1 SHEET 1 OF 2 REV 01

THIS DRAWING IS UNPUBLISHED. RELEASED FOR PUBLICATION 1825006, 1825006
 © COPYRIGHT 1825006 BY TYCO ELECTRONICS CORPORATION. ALL RIGHTS RESERVED.

Loc		DIST		REVISIONS			
AD	00	P	LTR	DESCRIPTION	DATE	DWN	APVD
		-		SEE SHEET 1	-	-	-



SURFACE MOUNT PAD LAYOUT

THIS DRAWING IS A CONTROLLED DOCUMENT.		DWN B.S.VISWESWARA	03MAR05	tyco Tyco Electronics Corporation																			
DIMENSIONS: mm [INCHES]		CHK M.S.SARVER		Harrisburg, Pa 17105-3608																			
TOLERANCES UNLESS OTHERWISE SPECIFIED:		APVD -		NAME DIP SWITCH ASSEMBLY GDS SERIES																			
<table border="0"> <tr><td>0 PLC</td><td>±</td><td>-</td></tr> <tr><td>1 PLC</td><td>±</td><td>-</td></tr> <tr><td>2 PLC</td><td>±</td><td>0.25[.010]</td></tr> <tr><td>3 PLC</td><td>±</td><td>-</td></tr> <tr><td>4 PLC</td><td>±</td><td>-</td></tr> <tr><td>ANGLES</td><td>±</td><td>1°</td></tr> </table>		0 PLC	±	-	1 PLC	±	-	2 PLC	±	0.25[.010]	3 PLC	±	-	4 PLC	±	-	ANGLES	±	1°	PRODUCT SPEC -	APPLICATION SPEC -	SIZE A2	CAGE CODE 00779
0 PLC	±	-																					
1 PLC	±	-																					
2 PLC	±	0.25[.010]																					
3 PLC	±	-																					
4 PLC	±	-																					
ANGLES	±	1°																					
MATERIAL -		FINISH -	WEIGHT -	DRAWING NO C=1825006	RESTRICTED TO -																		
CUSTOMER DRAWING			SCALE 4:1	SHEET 2	OF 2																		
				REV 01																			