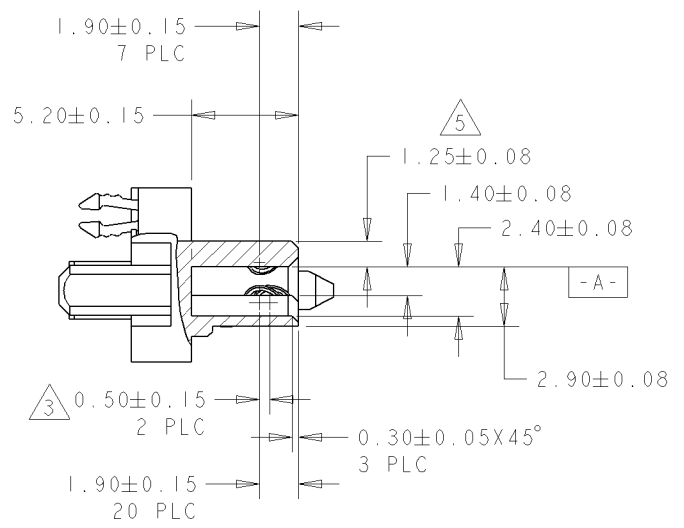
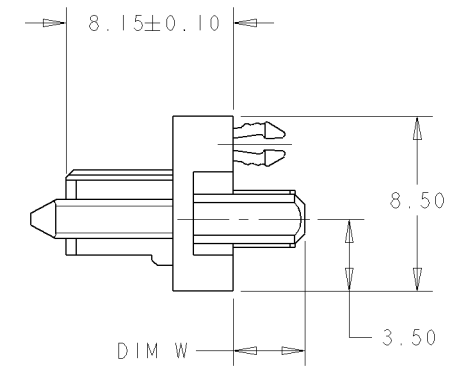
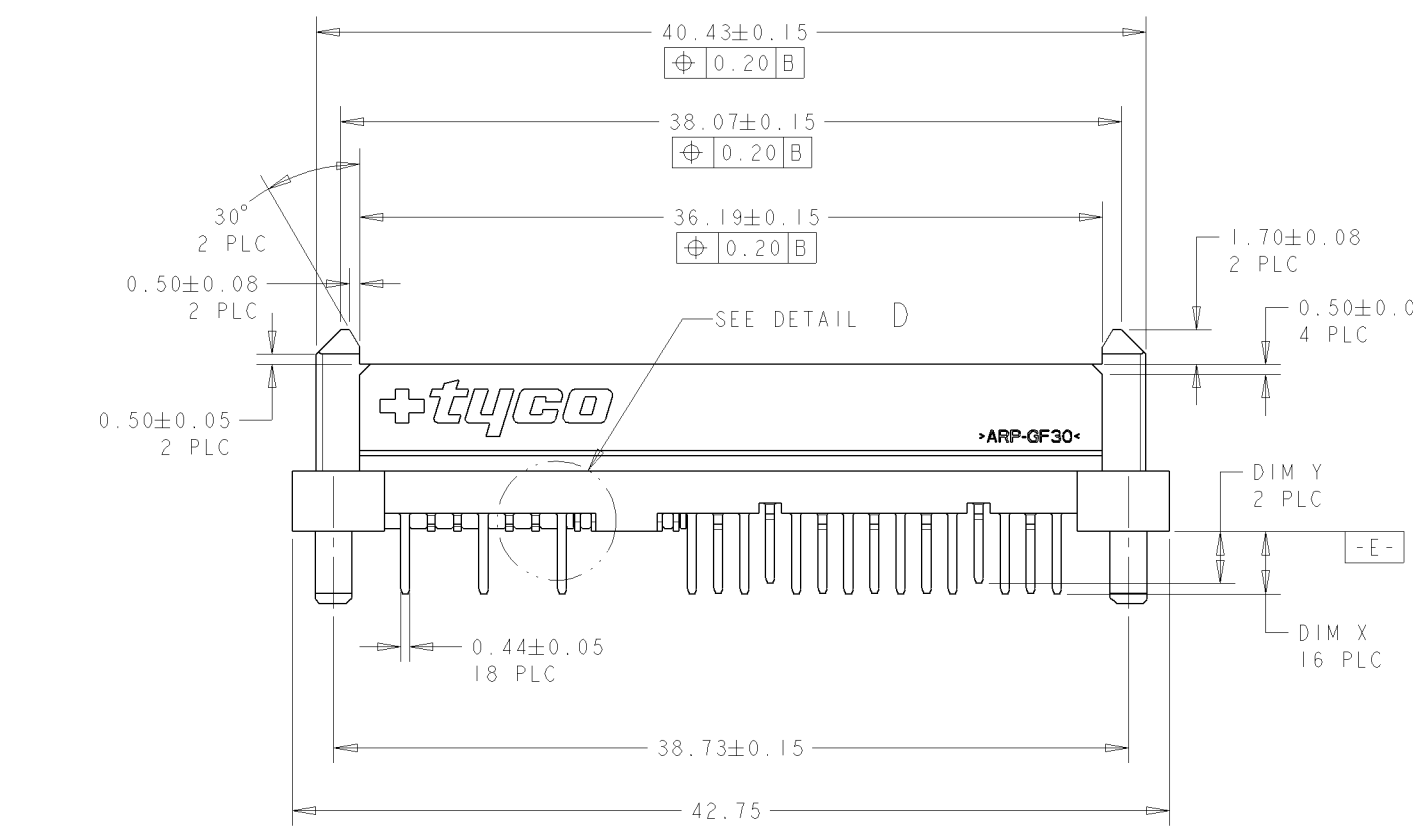
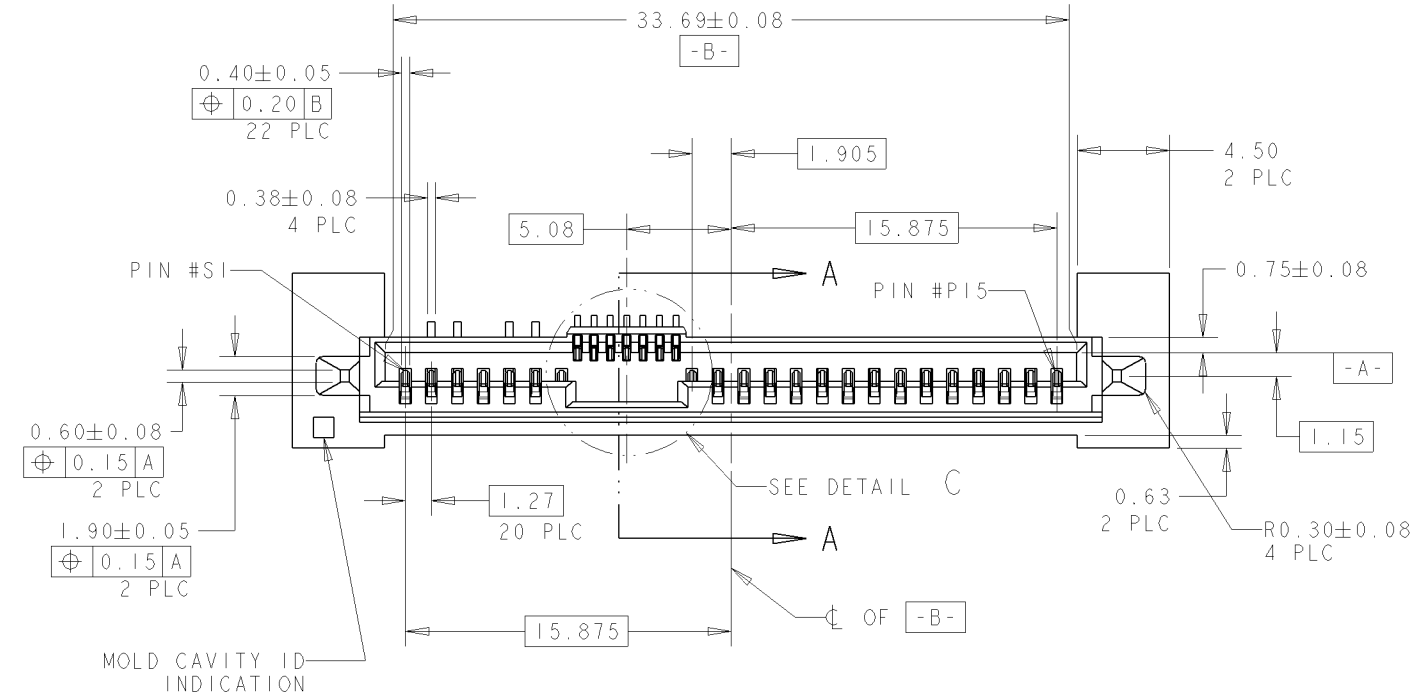
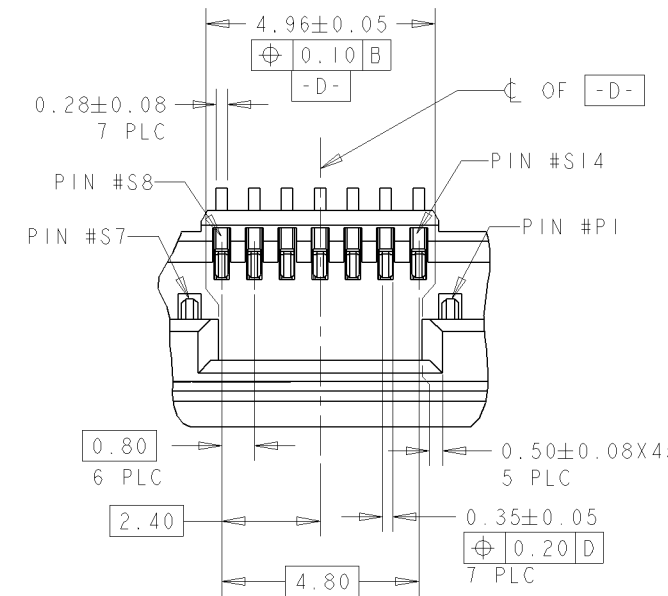


LOC		DIST		REVISIONS			DATE	DWN	APVD
P	LTR	DESCRIPTION							
	C5	REVISED ECR-08-025077			60CT08	LSK	LSF		



SECTION A-A

- NOTES:
- MATERIAL:
HOUSING: HIGH TEMP THERMOPLASTIC, UL94V-0,
COLOR: BLACK
CONTACT: COPPER ALLOY
BOARDLOCK: COPPER ALLOY
 - FINISH:
CONTACT AREA: MIN 0.76um GOLD PLATING
SOLDERTAIL: MIN 2.54um MATTE TIN PLATING
UNDERPLATE: MIN 1.27um NICKEL PLATING
 - PIN #P4 AND #P12 ONLY
 - SOLDERTAIL TO BE 0.05 MAX ABOVE AND 0.10 MAX BELOW DATUM E
 - 1.33 MAX MEASURED AT -C-
 - MAX DIMENSION. -0.20mm TOLERANCE APPLIES.



DETAIL C
SCALE 8:1

DIM Z	DIM Y	DIM X	DIM W	PACKAGING	BOARDLOCK	PICK-UP CAP	PART NUMBER
2.11	2.11	2.11	2.11	TAPE & REEL	FORK TYPE (2)	YES	2-1735104-1
2.79	3.81	4.31	3.50	TAPE & REEL	ZIF TYPE (3)	YES	1-1735104-6
2.30	2.30	2.30	2.30	TAPE & REEL	ZIF TYPE (3)	YES	1-1735104-5
2.79	3.20	3.70	3.50	TAPE & REEL	ZIF TYPE (3)	YES	1-1735104-4
2.79	2.52	3.02	3.50	TAPE & REEL	ZIF TYPE (3)	YES	1-1735104-3
2.79	3.20	3.70	3.50	TRAY	ZIF TYPE (3)	YES	1735104-4
2.79	2.52	3.02	3.50	TRAY	ZIF TYPE (3)	YES	1735104-3
2.55	2.52	3.02	3.50	TRAY	FORK TYPE (2)	NO	1735104-1

DIMENSIONS: mm 		TOLERANCES UNLESS OTHERWISE SPECIFIED: 0 PLC ± 1 PLC ± 2 PLC ±0.20 3 PLC ± 4 PLC ± ANGLES ±° FINISH		DWN SK LEAW 29JUL2005 CHK SF LEONG 29JUL2005 APVD SF LEONG 29JUL2005 PRODUCT SPEC 108-51067 APPLICATION SPEC WEIGHT CUSTOMER DRAWING		tyco Electronics Tyco Electronics Singapore Pte. Ltd. NAME SAS BACKPLANE RECEPTACLE, VERTICAL, HYBRID SIZE A2 CAGE CODE 00779 DRAWING NO. C=1735104 SCALE 4:1 SHEET 1 OF 2 REV C.5	
-----------------------	--	--	--	--	--	--	--

4

3

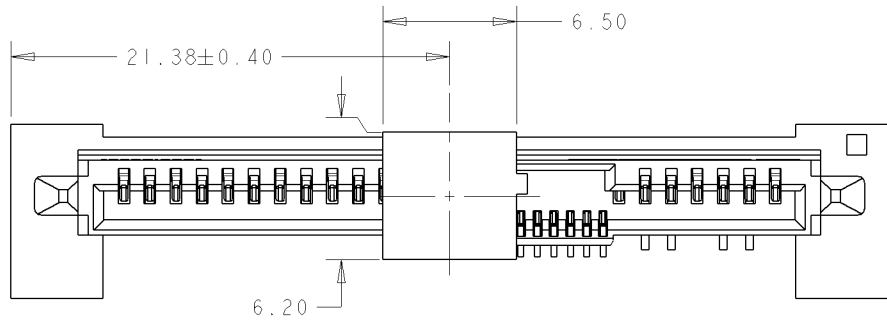
2

1

THIS DRAWING IS UNPUBLISHED. RELEASED FOR PUBLICATION BY AMP INCORPORATED. ALL RIGHTS RESERVED.

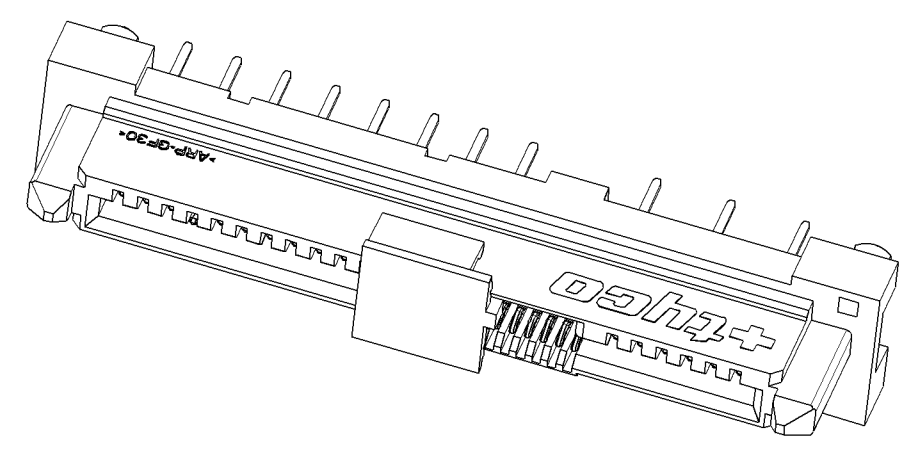
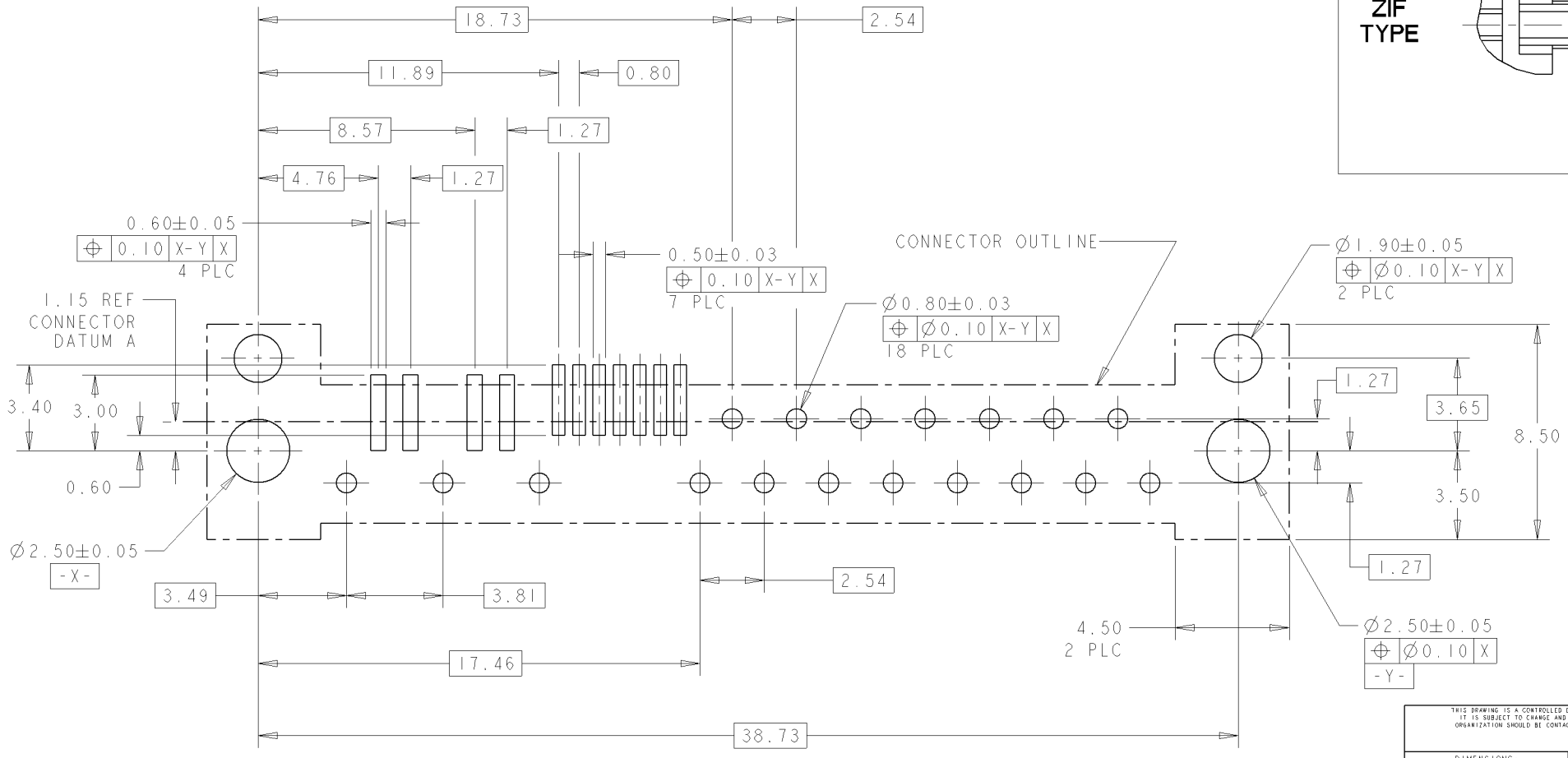
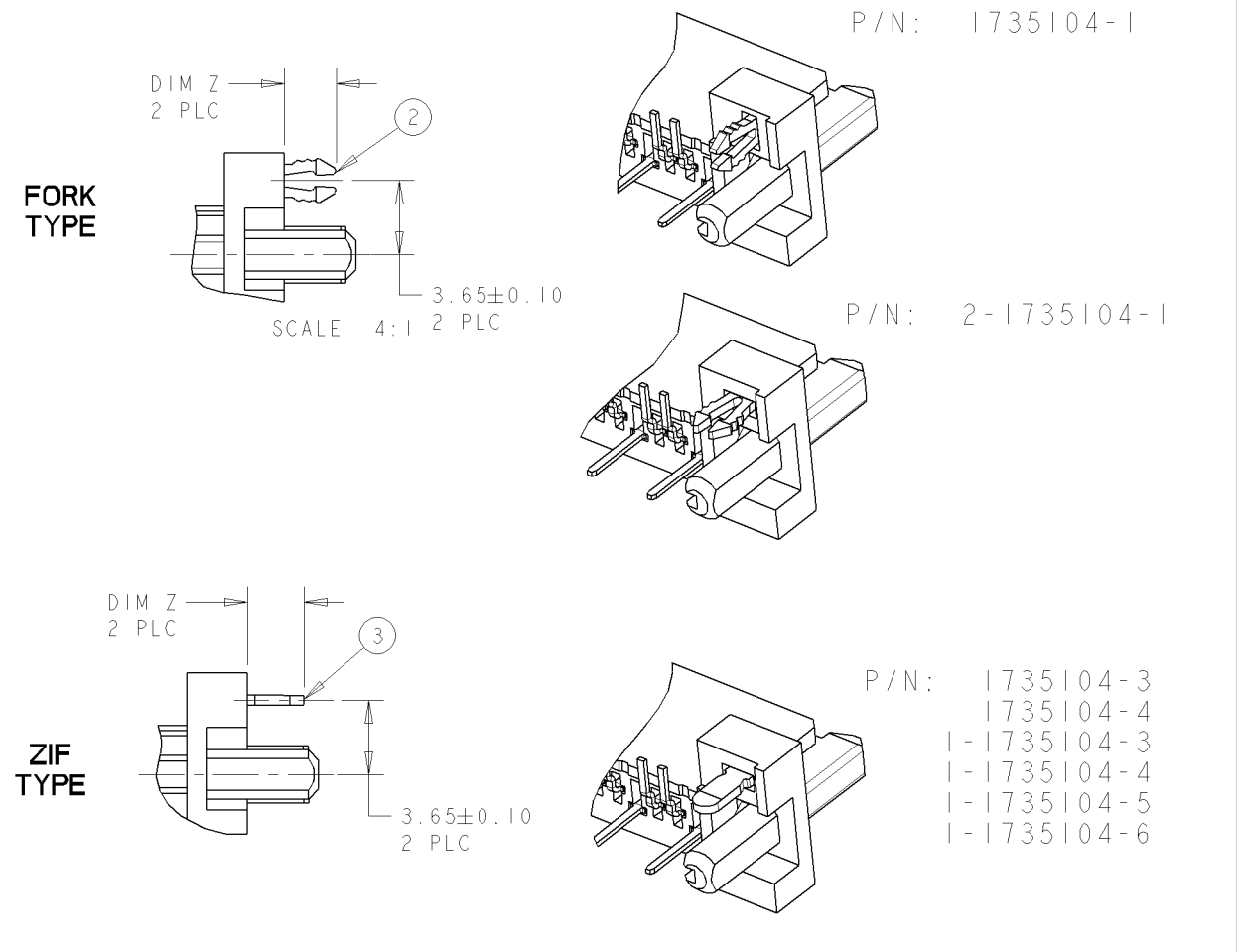
LOC	DIST	REVISIONS		
DY	-	P	LTR	DESCRIPTION
				DATE
				DWN
				APVD
		SEE SHEET 1		

VIEW SHOWN WITH PICK-UP CAP



- P/N: 1735104-3
 1735104-4
 1-1735104-3
 1-1735104-4
 1-1735104-5
 1-1735104-6
 2-1735104-1

BOARDLOCK CONFIGURATION



RECOMMENDED PCB LAYOUT SCALE 6:1

THIS DRAWING IS A CONTROLLED DOCUMENT FOR AMP INCORPORATED. IT IS SUBJECT TO CHANGE AND THE CONTROLLING ENGINEERING ORGANIZATION SHOULD BE CONTACTED FOR THE LATEST REVISION.		DWN SK LEAW 29JUL2005	tyco Electronics	Tyco Electronics Singapore Pte. Ltd.
DIMENSIONS: mm		CHK SF LEONG 29JUL2005		NAME
TOLERANCES UNLESS OTHERWISE SPECIFIED:		APVD SF LEONG 29JUL2005	PRODUCT SPEC	108-51067
0 PLC ±		MATERIAL	APPLICATION SPEC	-
1 PLC ±		WEIGHT	SIZE	A2
2 PLC ±0.20		CUSTOMER DRAWING	CAGE CODE	00779
3 PLC ±			DRAWING NO	C=1735104
4 PLC ±			SCALE	4:1
ANGLES ±°			SHEET	2 OF 2
FINISH -			REV	C.5