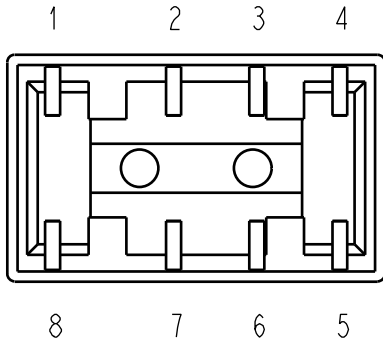
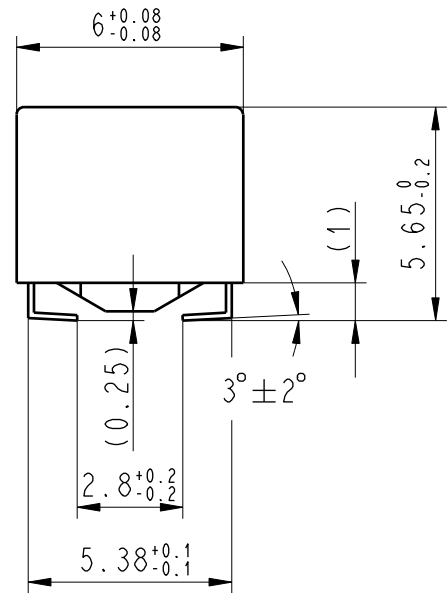
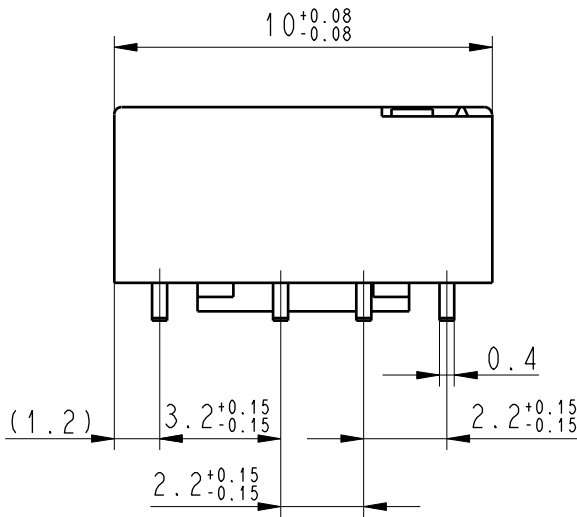


LOC	DIST	REVISIONS					
		P	LTR	DESCRIPTION	DATE	DWN	APVD
HJ	-		A4	Doc change E2001-DOK02 to C-1462037-3	08DEC2003	CW	HD
			A5	change marking	24JUL2006	UKo	HD
			A6	new bottom view	28Jul2006	UKo	HD
			A7	additional marking	10OCT2008	UKo	HD



Relay - bottom view



Coplanarity <0.10mm



XX = Relay type  
zz = nominal voltage  
YYWW = Date code

DRAWING ALIAS E2001-DOK02

THIS DRAWING IS UNPUBLISHED. ALL RIGHTS RESERVED. BY TYCO ELECTRONICS CORPORATION. COPYRIGHT 2000

DIMENSIONS: mm	DWN UKo 9193 08Aug1998	MATERIAL -	FINISH -
	CHK HD 9121 08Aug1998	Tyco Electronics Logistics AG Werk Axicom Au, CH-8804 Au ZH	
TOLERANCES UNLESS OTHERWISE SPECIFIED: DIN 7168-m	APVD HD 9121 08Aug1998		
0 PLC ±-	PRODUCT SPEC -	SIZE A4	RESTRICTED TO -
1 PLC ±-	APPLICATION SPEC -	CAGE CODE 00779	
2 PLC ±-		DRAWING NO C-1462037-3	
3 PLC ±-			
4 PLC ±-			
ANGLES ±-			
	WEIGHT -		
CUSTOMER DRAWING		SCALE 5:1	SHEET 1 OF 1 REV A7