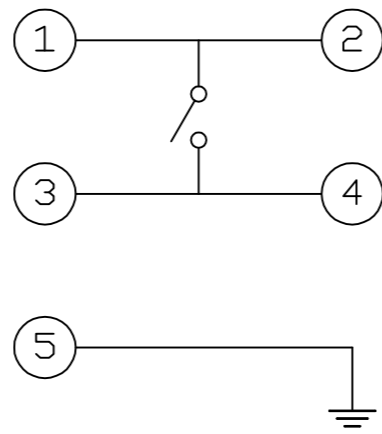
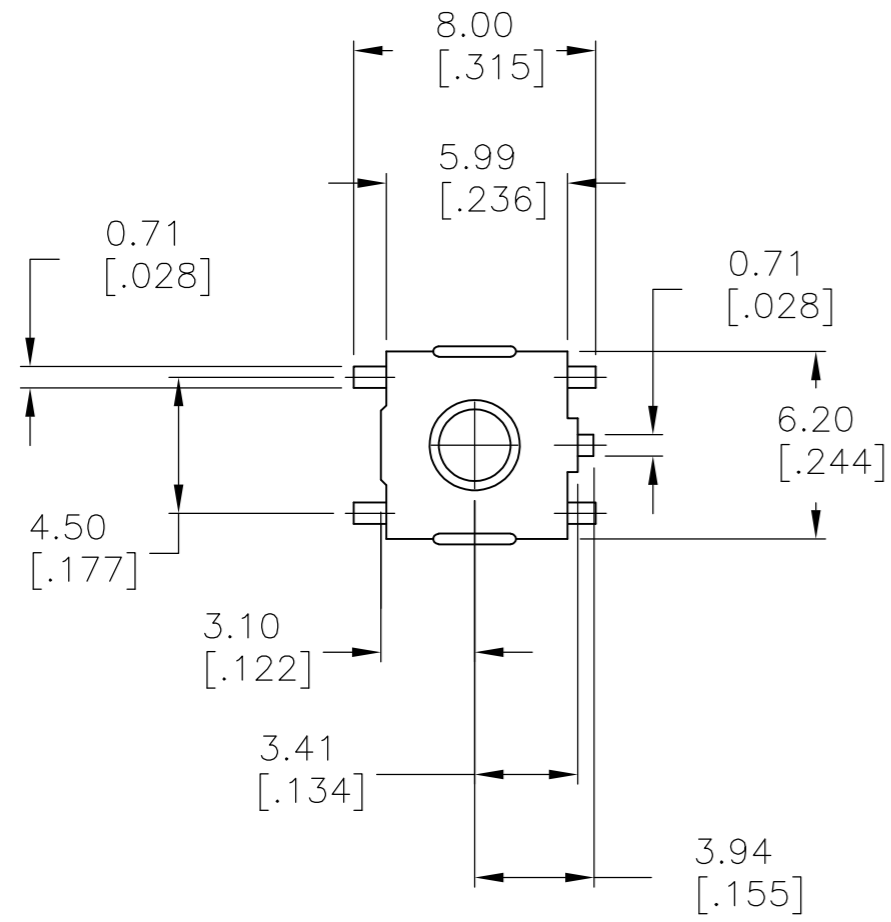
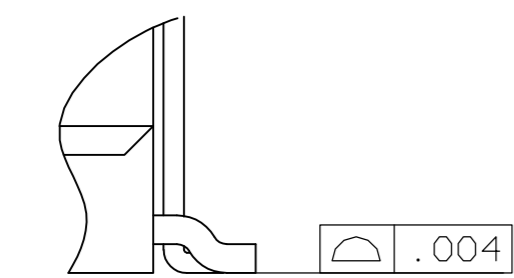
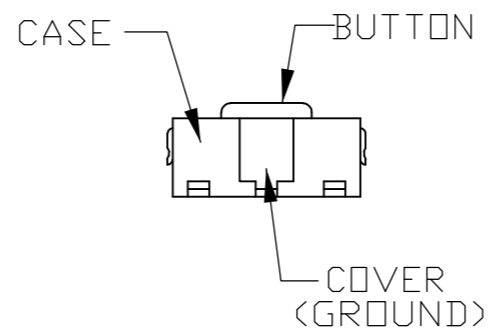
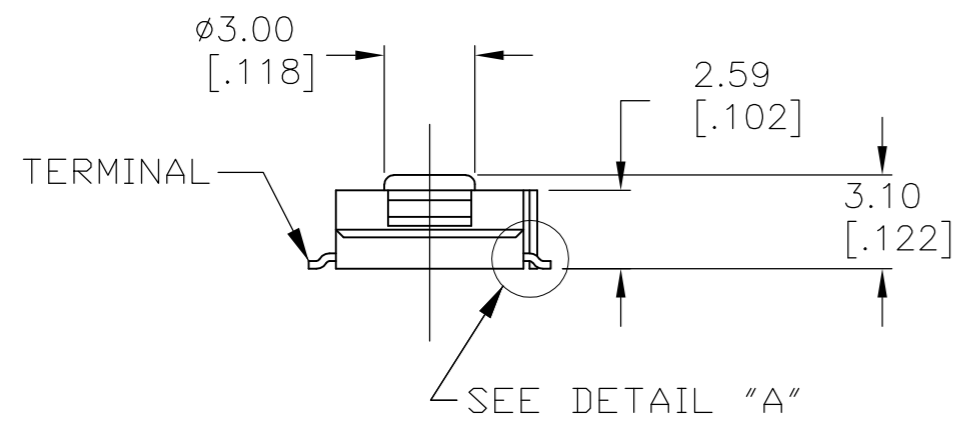


THIS DRAWING IS UNPUBLISHED. RELEASED FOR PUBLICATION  
 © COPYRIGHT BY TYCO ELECTRONICS CORPORATION. ALL RIGHTS RESERVED.

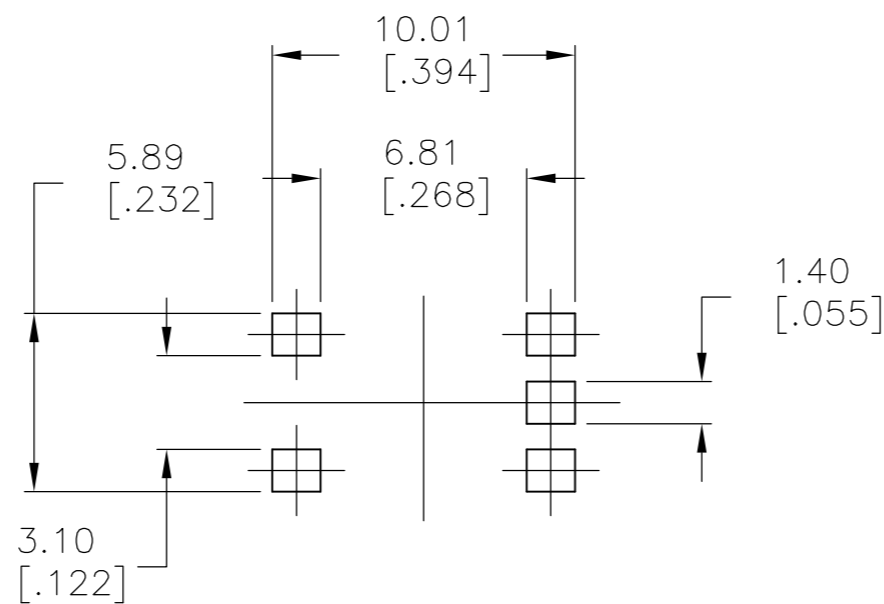
| LOC |     | DIST          |  | REVISIONS |     |      |  |
|-----|-----|---------------|--|-----------|-----|------|--|
| P   | LTR | DESCRIPTION   |  | DATE      | DWN | APVD |  |
|     | D1  | ECO-07-019163 |  | 05NOV2007 | RB  | MS   |  |



CIRCUIT DIAGRAM



DETAIL "A"  
SCALE 15:1



P.C.B. FOOTPRINT

SPECIFICATIONS:

CASE: PPS, 94V0, BLACK.  
 COVER: COPPER ALLOY-TIN PLATE.  
 ACTUATOR BUTTON: SEE TABLE, COLOR:  
 MOVING CONTACT: COPPER ALLOY, SILVER FINISH.  
 FIXED CONTACT/TERMINAL: COPPER ALLOY, SILVER FINISH.

ELECTRICAL:  
 MAX CONTACT RATING: 50MILLIAMPS@24V DC  
 MIN CONTACT RATING: 10MICROAMPS@1V DC  
 CONTACT RESISTANCE: 100 MILLIOHMS MAX.  
 INSULATION RESISTANCE: 100 MEGOHMS MIN. @ 100 VDC.  
 DIELECTRIC STRENGTH: 500 VAC 50/60 Hz FOR 1 MINUTE  
 LIFE EXPECTANCY: 100,000 CYCLES.

MECHANICAL:  
 ACTUATION FORCE: SEE CHART.  
 ACTUATION TRAVEL: 0.25 +0.20/-0.10 [.010 +0.008/-0.004]

ENVIRONMENTAL:  
 OPERATING TEMPERATURE: -35°C TO +85°C  
 STORAGE TEMPERATURE: -35°C TO +85°C  
 SOLDER HEAT RESISTANCE PER 109-201, COND B.

SOLDERABILITY:  
 SPECIFICATION EIA-364-52, CLASS 1, CATEGORY 2

NOTES:

- ALL MATERIALS AND FINISHES SHALL COMPLY WITH EU DIRECTIVE 2002/95/EC OF 27JAN2003 (ROHS)
- TAPE AND REEL PACKAGING PER EIA-481

| PART NUMBER | PART NUMBER | ACTUATOR MATERIAL | ACTUATOR BUTTON COLOR | ACTUATION FORCE | PACKAGING   |
|-------------|-------------|-------------------|-----------------------|-----------------|-------------|
| 1-1437565-6 | FSM1LP      | PPA UL94HB        | BLACK                 | 160 ±50 gm.     | BULK        |
| 1-1437565-9 | FSM1LPTR    | PPA UL94HB        | BLACK                 | 160 ±50 gm.     | TAPE & REEL |
| 1-1437565-7 | FSM1LPA     | PPS UL94V-0       | BROWN                 | 260 ±50 gm.     | BULK        |
| 1-1437565-8 | FSM1LPATR   | PPS UL94V-0       | BROWN                 | 260 ±50 gm.     | TAPE & REEL |

|  |  |        |                       |   |               |
|--|--|--------|-----------------------|---|---------------|
| THIS DRAWING IS A CONTROLLED DOCUMENT.   |  | DWN    | 13MAR2007             | Tyco Electronics Corporation<br>Harrisburg, PA 17105-3608 |               |
| DIMENSIONS:<br>mm [INCHES]   |  | CHK    | M.SARVER<br>20MAR2007 | NAME<br>TACTILE SWITCH<br>FSM1LP                          |               |
| TOLERANCES UNLESS OTHERWISE SPECIFIED:<br>0 PLC ± -<br>1 PLC ± -<br>2 PLC ± 0.30[.012]<br>3 PLC ± -<br>4 PLC ± -<br>ANGLES ± - |  | APVD   | M.SARVER<br>20MAR2007 | PRODUCT SPEC  |               |
| MATERIAL   |  | FINISH | WEIGHT                | SIZE  | CAGE CODE     |
| -  |  | -      | -                     | A2  | 00779         |
| CUSTOMER DRAWING   |  |        | SCALE                 | DRAWING NO  | RESTRICTED TO |
|  |  |        | 4:1                   | C=1-1437565-8   | -             |
|  |  |        | SHEET                 | REV   |               |
|  |  |        | 1 of 1                | D1  |               |