

SPECIFICATION CONTROL DRAWING

2021D0309



120 OHM, RADIO FREQUENCY, 0.50 mm², 19 STRANDS,
TWIN CONDUCTOR CABLE

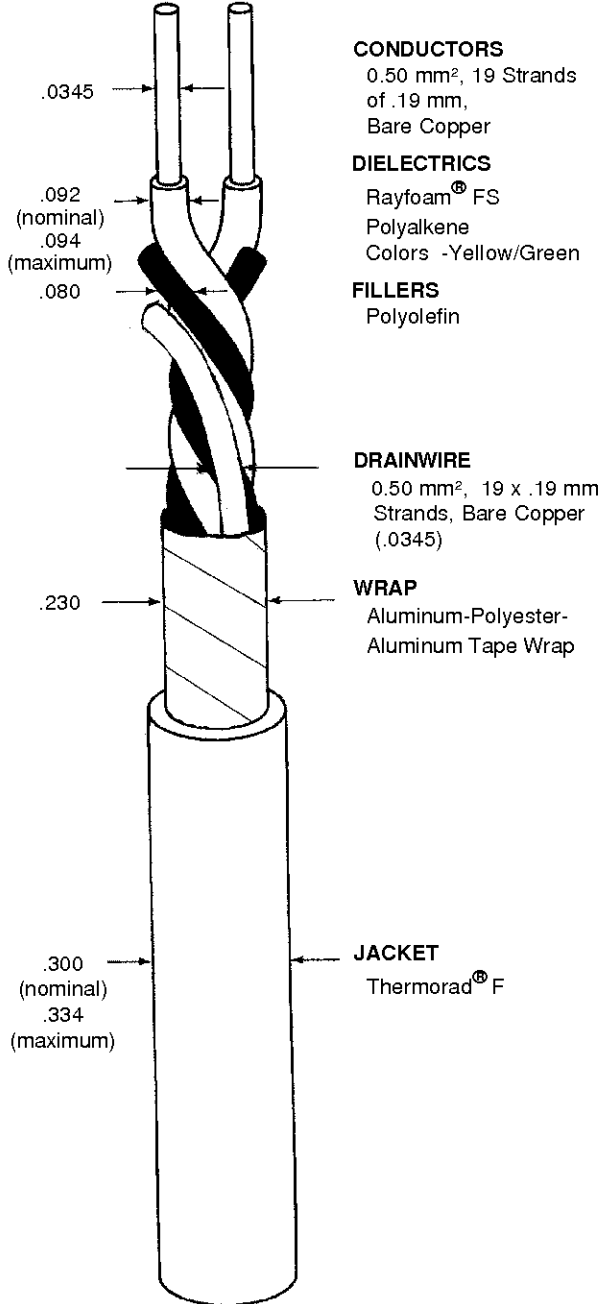
Date: 28-Mar-11
Revision: F1

THIS SPECIFICATION SHEET FORMS A PART OF THE LATEST ISSUE OF RAYCHEM SPECIFICATION 1200.

CONSTRUCTION DETAILS

ELECTRICAL CHARACTERISTICS

DIMENSIONS ARE NOMINAL VALUES IN INCHES UNLESS OTHERWISE DESIGNATED.



CHARACTERISTIC IMPEDANCE	120 ± 12 ohms, Method D at 1 MHz (with shield grounded)
CAPACITANCE - MUTUAL	10.5 pF/ft. (nominal)
VELOCITY OF PROPAGATION	75% (nominal)
SURFACE TRANSFER IMPEDANCE	225 milliohms/meter (maximum) at 0.1 to 1 MHz (Per MIL-C-85485)

ADDITIONAL REQUIREMENTS

ELECTRICAL

CONDUCTOR RESISTANCE	11.3 ohms/1000 ft. (nominal)
INSULATION RESISTANCE	10,000 megohms (minimum) for 1000 ft.
JACKET FLAWS	
SPARK TEST	1.0 kV (rms)
IMPULSE TEST	6.0 kV (peak)
VOLTAGE WITHSTAND (DIELECTRIC)	1000 volts (rms) (minimum)

ENVIRONMENTAL

FLAMMABILITY	Method C
HEAT SHOCK	225°C
LOW TEMPERATURE- COLD BEND	-55°C/9.00 inch mandrel
VOLTAGE WITHSTAND (POST ENVIRONMENTAL)	1000 volts (rms), 60 Hz, 1 minute

PHYSICAL

DIELECTRIC ELONGATION	100% (minimum)
TENSILE STRENGTH	1000 lbf/in ² (minimum)
JACKET ELONGATION	200% (minimum)
TENSILE STRENGTH	2000 lbf/in ² (minimum)
CONCENTRICITY	70% (minimum)
JACKET THICKNESS	.030 inch ± .005 inch
WRAP	.002 inch thick (nominal)

Jacket Mark: Mark outer jacket at 12 inch (nominal) intervals in white ink as follows:

for product jacketed in USA " RAYCHEM J1939-11 0.5mm² "
for product jacketed in Mexico " RAYCHEM J1939/11 0.5mm² "

WEIGHT	39.9 lbs/1000 ft. (nominal)
--------	-----------------------------

Outer jacket will be Black (designated by a -0 appended to the part number, e.g., 2021D0309-0) unless otherwise specified.

Component Stripe Option: Red striped components will be designated with a slash separating base and stripe colors as follows: 2021D0309-42/52-0

Designate outer jacket color with a dash number in accordance with MIL-STD-681. Other codes and suffixes may be added to the part number, as necessary, to capture any additional requirements imposed by the purchase order.

Users should evaluate the suitability of this product for their application. Specifications are subject to change without notice.

TE Connectivity also reserves the right to make changes in materials or processing, which do not affect compliance with any specification, without notification to Buyer.



501 Oakside Avenue
Redwood City, California 94063-3800
1-800-227-8816 Fax: 1-650-361-6297

THIS SPECIFICATION SHEET TAKES PRECEDENCE OVER DOCUMENTS REFERENCED HEREIN.
REFERENCED DOCUMENTS SHALL BE OF THE ISSUE IN EFFECT ON DATE OF INVITATION FOR BID.