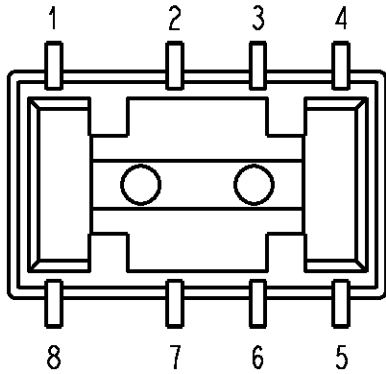
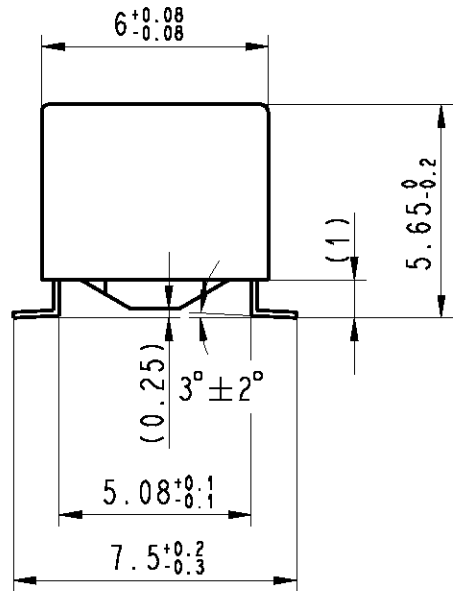
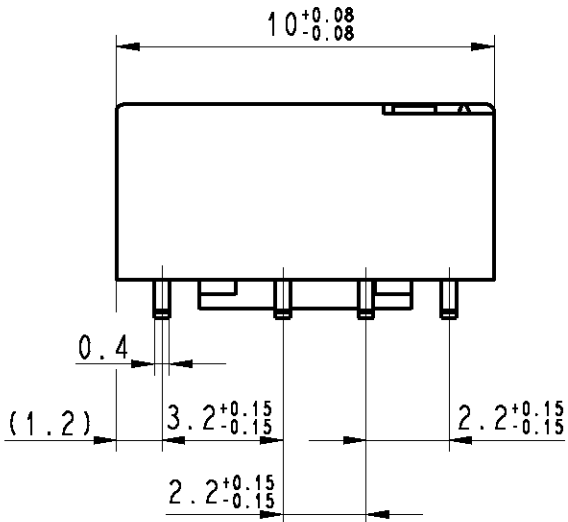


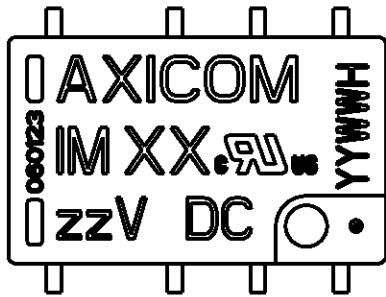
LOC		DIST		REVISIONS			
P	LTR	DESCRIPTION	DATE	DWN	APVD		
HJ	-	A8	REVISED PER ECO-11-005150	25MAR11	RK	HMR	



Relay - bottom view



Coplanarity < 0.10mm



XX = Relay type
 zz = nominal voltage
 YYWW = Date code

DRAWING ALIAS	E2000-DOK02
---------------	-------------

THIS DRAWING IS UNPUBLISHED.

ALL RIGHTS RESERVED.

COPYRIGHT BY -

DIMENSIONS: mm	DWN UKo 9193	20Jan1999	MATERIAL	-	FINISH	-
	CHK HD 9121	20Jan1999				
TOLERANCES UNLESS OTHERWISE SPECIFIED: DIN 7168-m	APVD HD 9121	20Jan1999				
0 PLC ±-	PRODUCT SPEC	-	NAME			IM-Relay SMT Gull Wings Dimensions
1 PLC ±-	APPLICATION SPEC	-	SIZE	CAGE CODE	DRAWING NO	RESTRICTED TO
2 PLC ±-			A4	00779	C-1462037-2	-
3 PLC ±-	WEIGHT	-	CUSTOMER DRAWING			SCALE
4 PLC ±-						5:1
ANGLES ±-						SHEET 1 OF 1
						REV A8