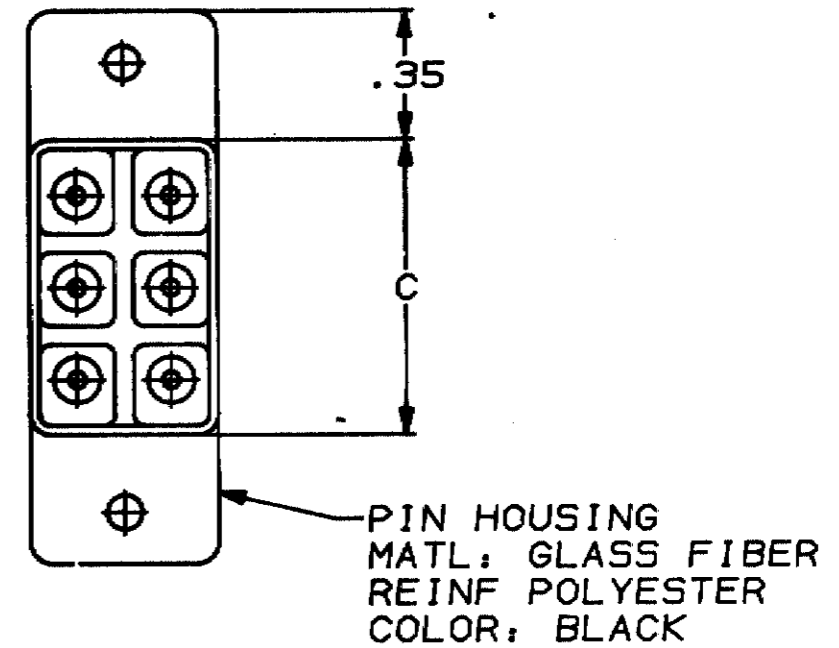
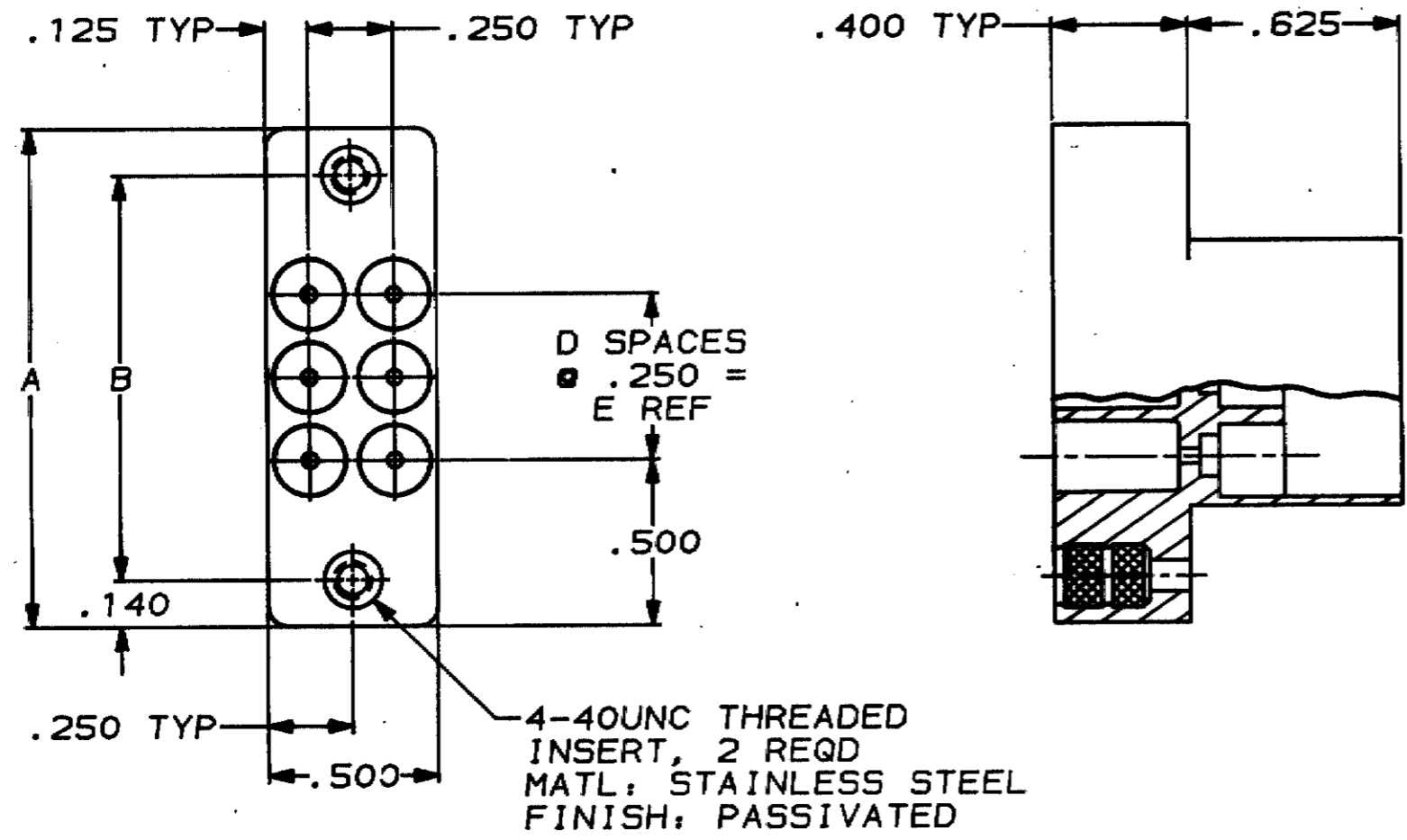


THIS DRAWING IS UNPUBLISHED. RELEASED FOR PUBLICATION, 19
 © COPYRIGHT 19 BY AMP INCORPORATED. ALL INTERNATIONAL RIGHTS RESERVED.

PROD 4090 CODE	LOC DF	DIST 50	P ✓	F ✓	ZONE	LTR	REVISIONS	DATE	APPD
						0	RELEASED PER W.O.9-071F	4-10-89	BY



.500	2	.80	1.219	1.500	6	867781-3
.250	1	.55	.969	1.250	4	867781-2
—	—	.30	.719	1.000	2	867781-1
E	D	C	B	A	NO OF POSN	PART NUMBER

DO NOT SCALE PRINT. UNLESS SPECIFIED DIMENSIONS IN INCHES TOLERANCES ON: 2 PLC DEC ± .02 3 PLC DEC ± .005 ANGLES ±	DR <i>Brent D. John 4-10-89</i> CHG <i>M. J. Gordon 4-10-89</i> APPD <i>M. J. Gordon 4-10-89</i> APPD <i>Wes Lutz 4-10-89</i>	AMP AMP INCORPORATED Harrisburg, Pa. 17105		
	MATERIAL SEE CALLOUTS		NAME PIN HOUSING, LGH	
	FINISH SEE CALLOUTS		SIZE B	FSCH NO 00779
	APPLICATION SPEC —		DRAWING NO 867781	SCALE 2:1
WEIGHT —		SHEET 1 OF 1		