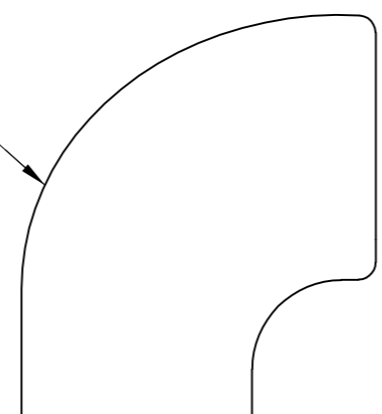


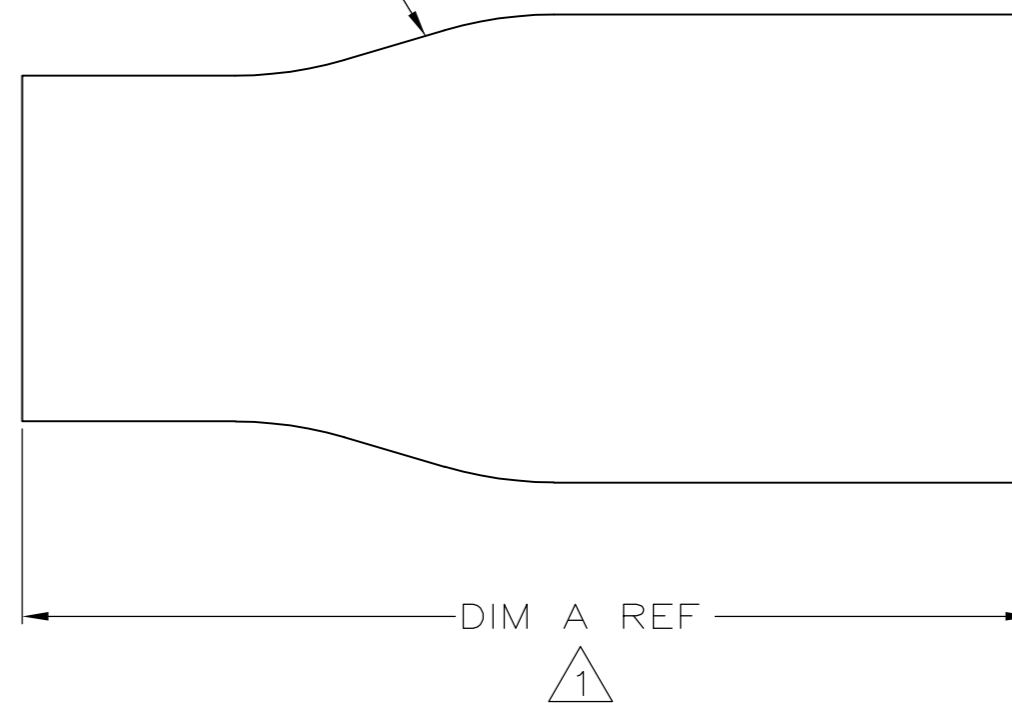
THIS DRAWING IS UNPUBLISHED. RELEASED FOR PUBLICATION  
© COPYRIGHT BY TYCO ELECTRONICS CORPORATION. ALL INTERNATIONAL RIGHTS RESERVED.

LOC	DIST	REVISIONS					
DF	SO	P	LTR	DESCRIPTION	DATE	DWN	APVD
		F		REV PER ECO-10-017059	15DEC10	PY	DE

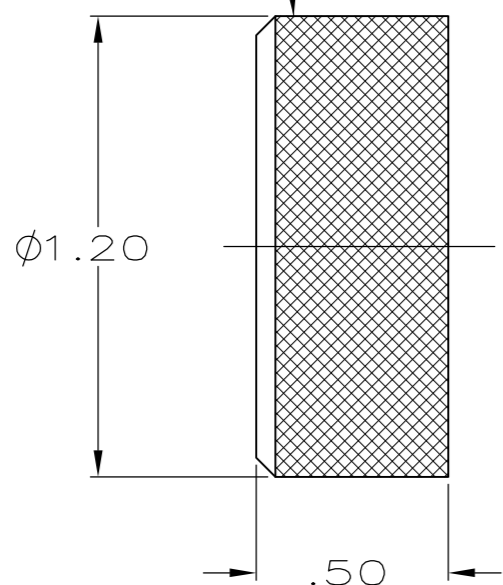
BOOT, SHRINKABLE, 90°  
MAT'L: POLYOLEFIN



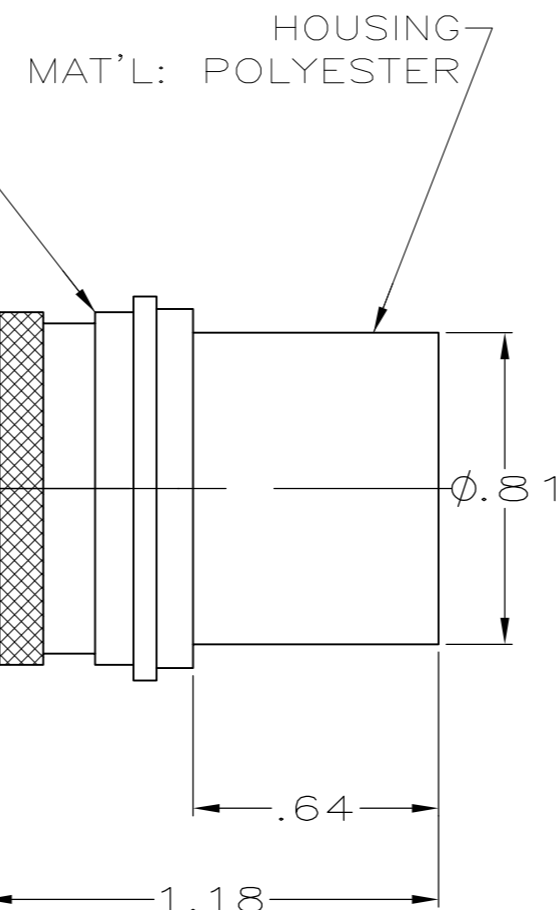
BOOT, SHRINKABLE, STRAIGHT  
MAT'L: POLYOLEFIN



CAP  
MAT'L: BRASS  
FINISH: NICKEL  
OVER COPPER FLASH



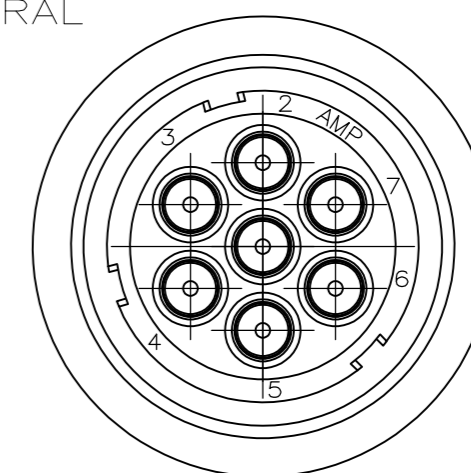
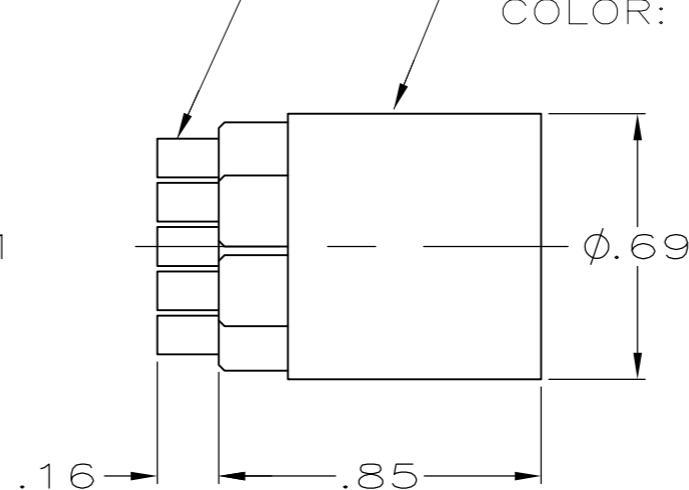
FERRULE  
MAT'L: BRASS  
FINISH: NICKEL  
OVER COPPER FLASH



HOUSING  
MAT'L: POLYESTER

SOCKET END

SLUG  
MAT'L: SILICONE RUBBER  
COLOR: NATURAL



1 REF. DIMENSION "A" APPLIES ONLY AFTER SHRINKING OF SHRINK BOOT.

3.15	STRAIGHT SHRINKABLE BOOT	865656-4
-	NO SHRINKABLE BOOT	865656-3
-	90° SHRINKABLE BOOT	865656-2
2.63	STRAIGHT SHRINKABLE BOOT	865656-1
DIM A 1	DISCRIPTION	PART NUMBER

THIS DRAWING IS A CONTROLLED DOCUMENT.		DWN C.C.THOMAS 7-15-96	Tyco Electronics Corporation Harrisburg, PA 17105-3608	
DIMENSIONS: INCHES		CHK S.GLATFELTER 8-13-96	NAME PLUG KIT, 7 PIN MINIATURE, LGH	
TOLERANCES UNLESS OTHERWISE SPECIFIED:		APVD -	PRODUCT SPEC -	RESTRICTED TO -
MATERIAL SEE CALLOUTS		FINISH -	WEIGHT -	SCALE 2:1
		APVD -	APPLICATION SPEC -	SIZE A2
		APVD -	WEIGHT -	CAGE CODE 00779
		APVD -	WEIGHT -	DRAWING NO 865656
		APVD -	WEIGHT -	SCALE 2:1
		APVD -	WEIGHT -	SHEET 1 of 1
		APVD -	WEIGHT -	REV F