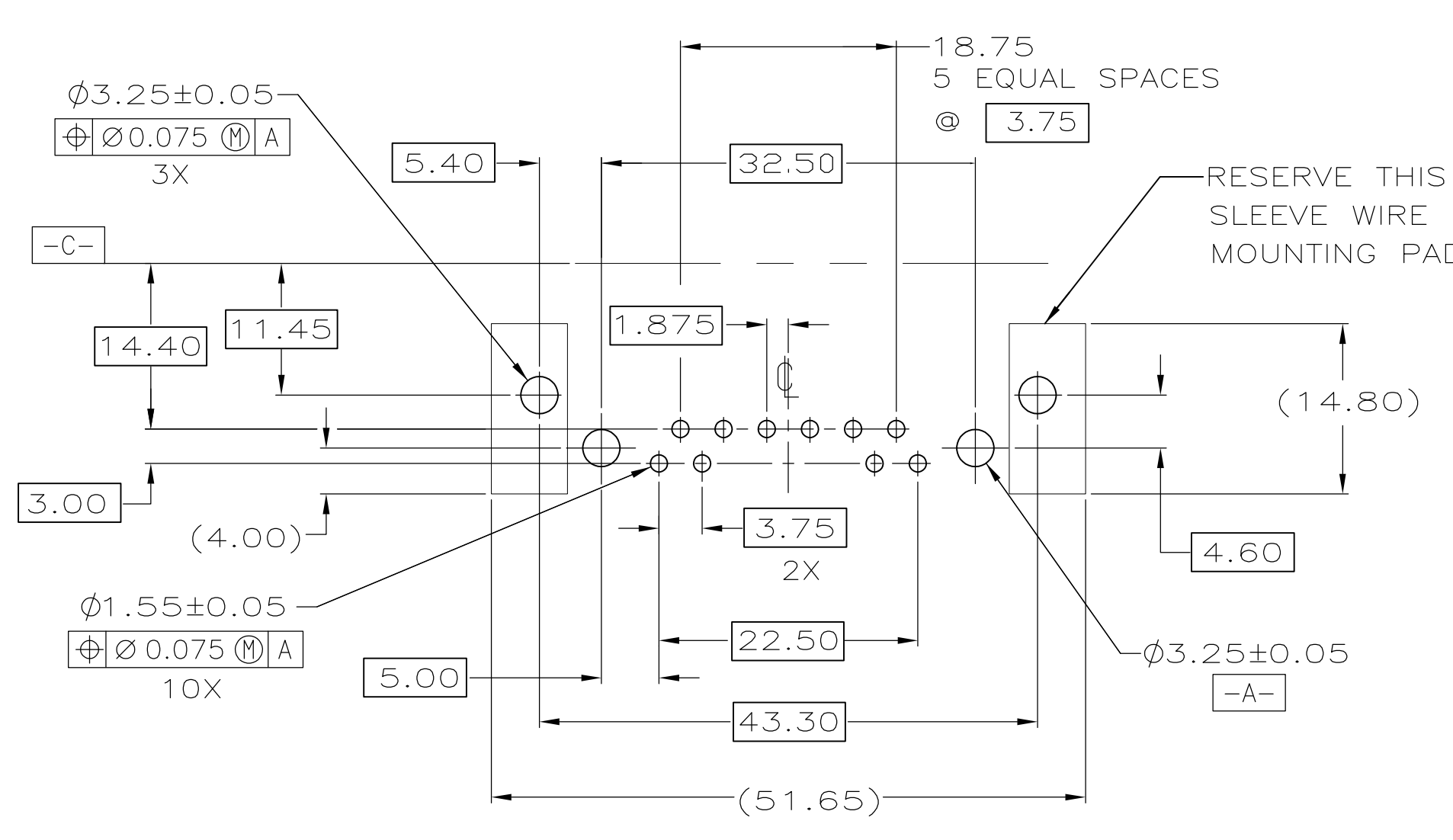
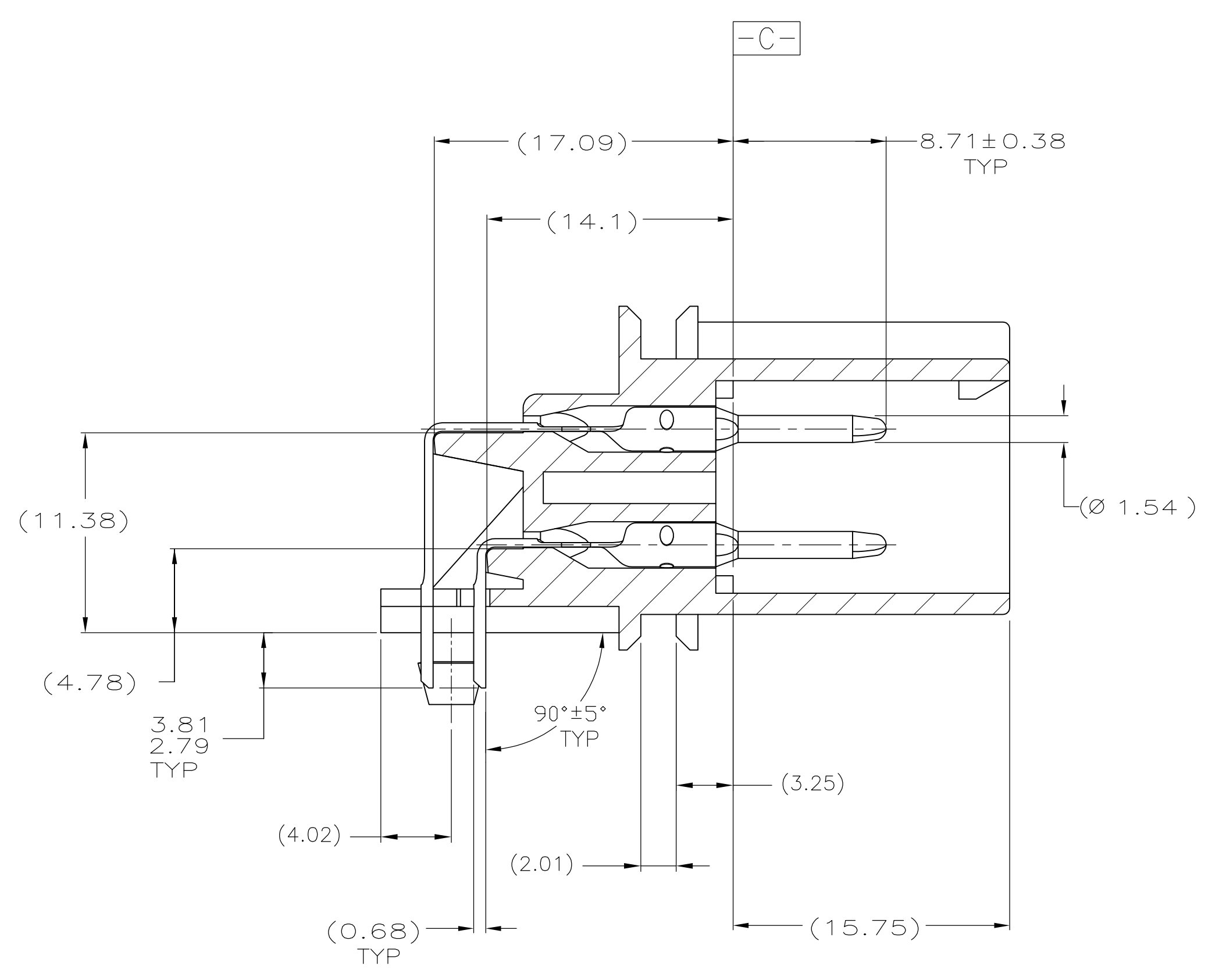
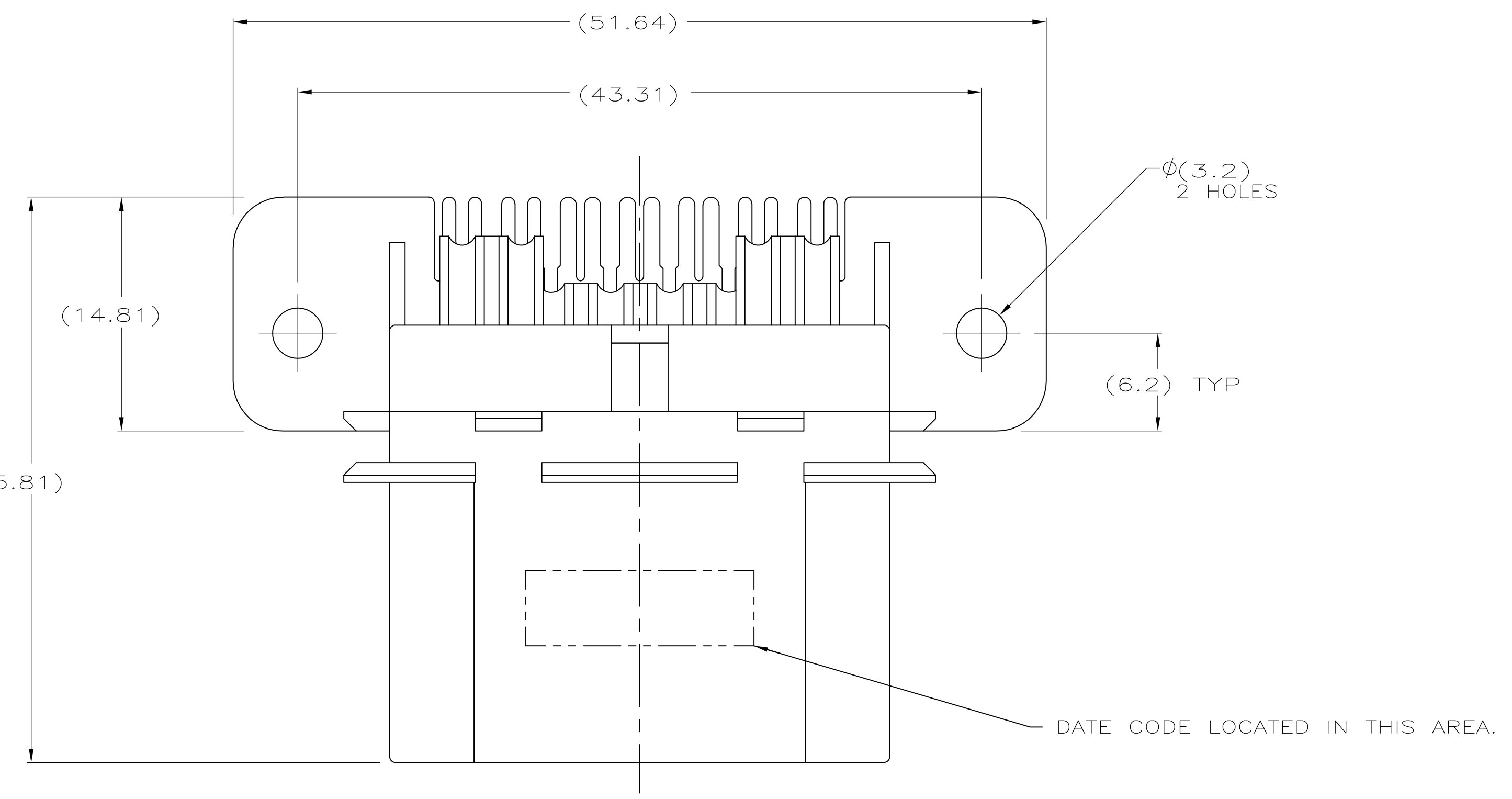


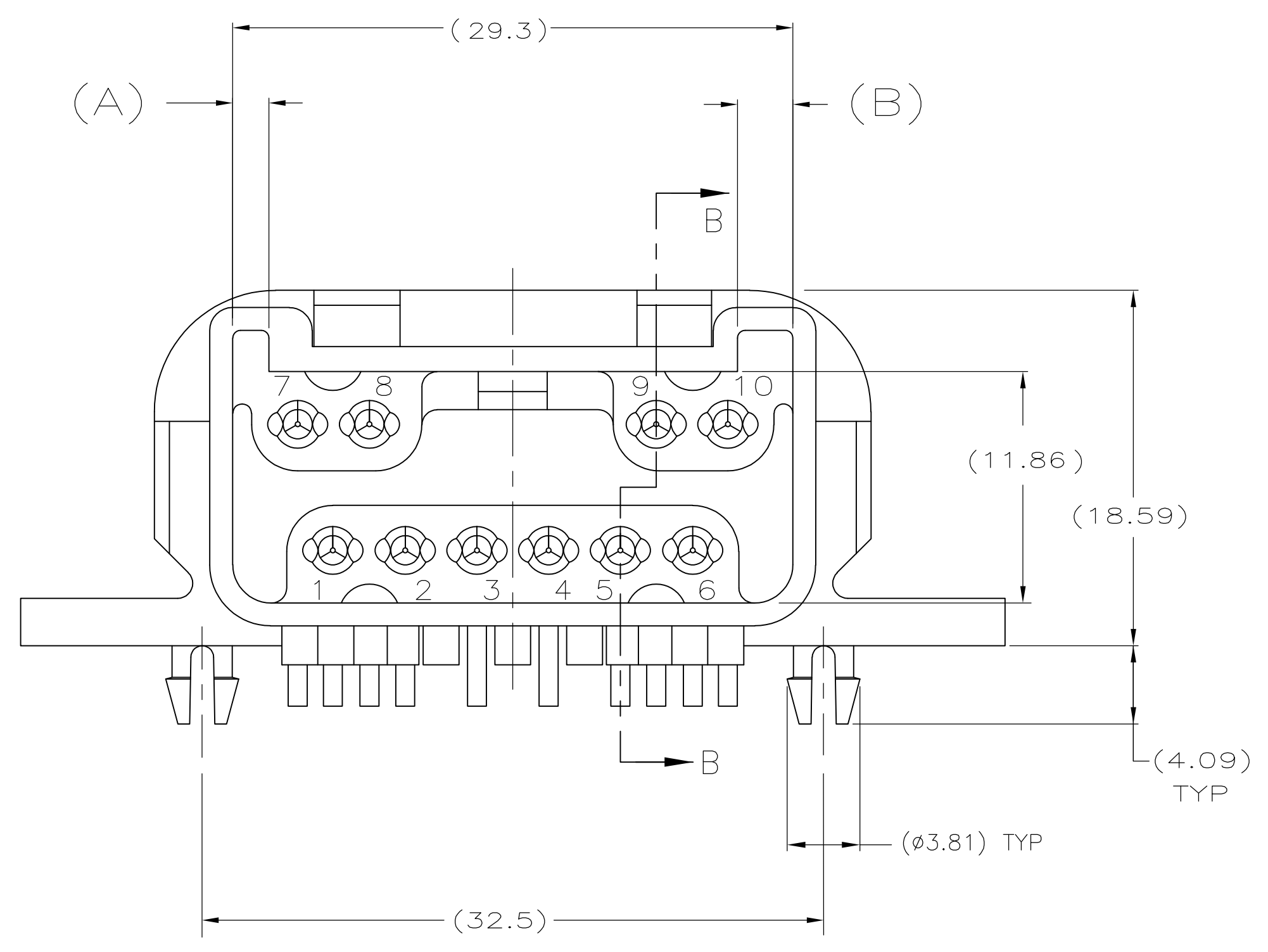
FRONT POSITION OF SLEEVE, WIRE CONN.



PRINTED CIRCUIT BOARD HOLE PATTERN, REF SCALE 2:1



SECTION B-B



HI-CURRENT

(2.9 [.114])	(1.89 [.074])	YF3T-14A624-AA	776061-3
(1.89 [.074])	(2.9 [.114])	F65B-14A624-HA	776061-2
(2.9 [.114])	(1.89 [.074])	F50B-14A624-MA	776061-1
B	A	FORD PART NUMBER	PART NUMBER

THIS DRAWING IS A CONTROLLED DOCUMENT.

DW	A. HOLT	15JUN2005	Tyco Electronics Tyco Electronics Corporation Harrisburg, Pa 17105-3608
CHK	M. TRULL	06OCT2008	
APPD	M. TRULL	06OCT2008	NAME
PRODUCT SPEC	HEADER ASSEMBLY, 10 CIRCUIT, ABC CONNECTOR		
APPLICATION SPEC	SIZE		
MATERIAL	PBT BLACK	FINISH	RESTRICTED TO
WEIGHT	A1 00779 ©=776061		SCALE 4:1 SHEET 1 OF 1 REV A
CUSTOMER DRAWING	SCALE 4:1 SHEET 1 OF 1 REV A		