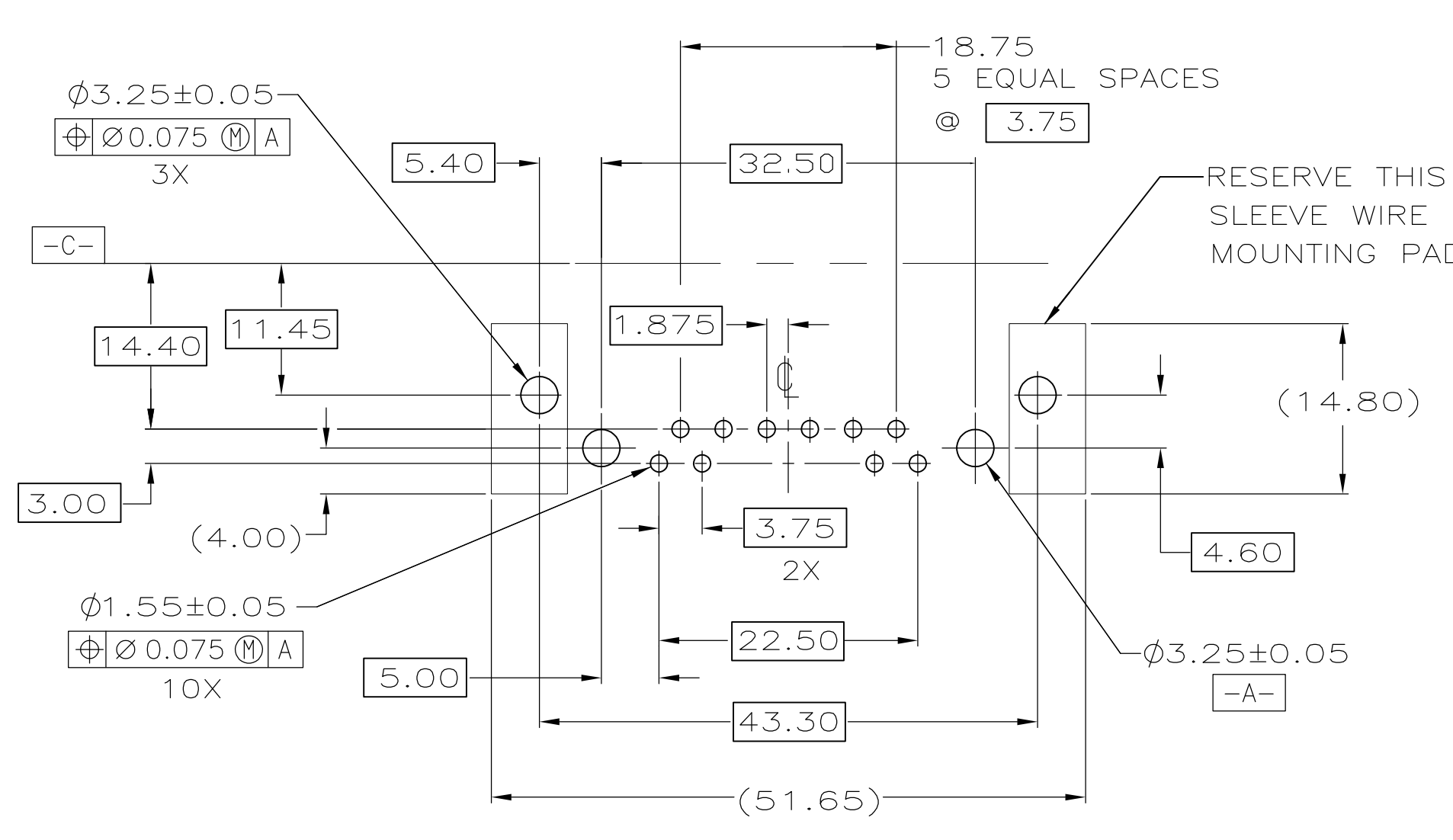
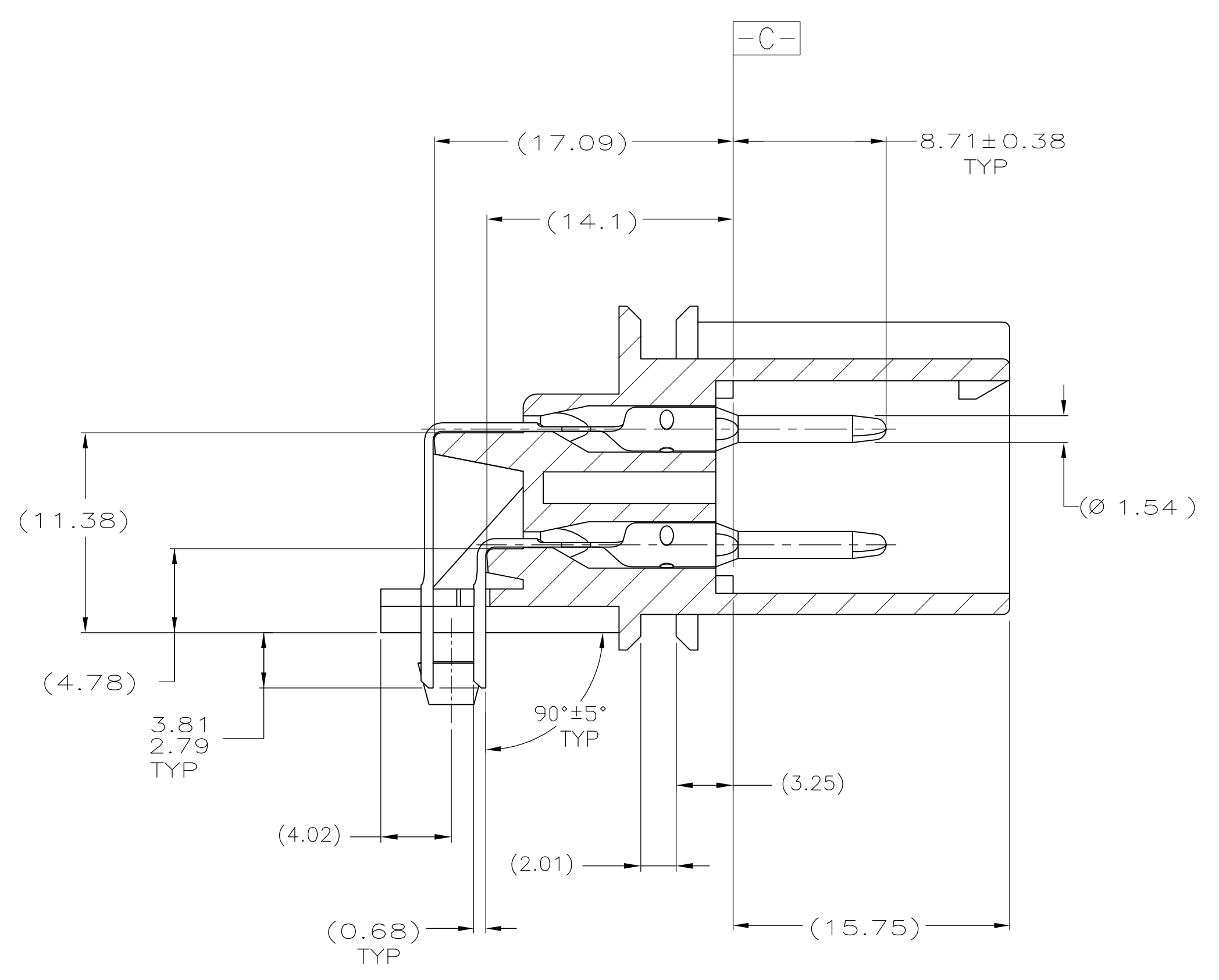
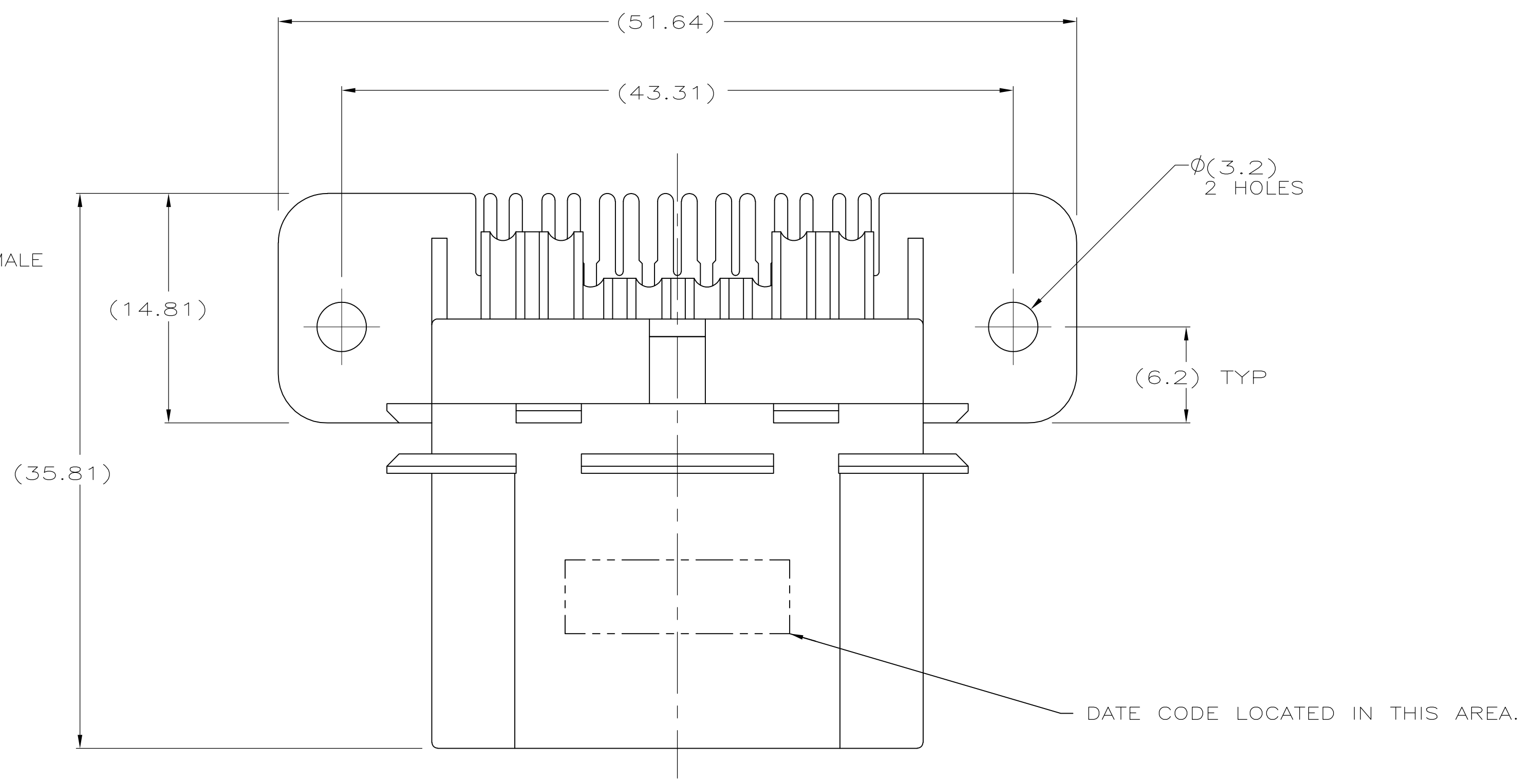


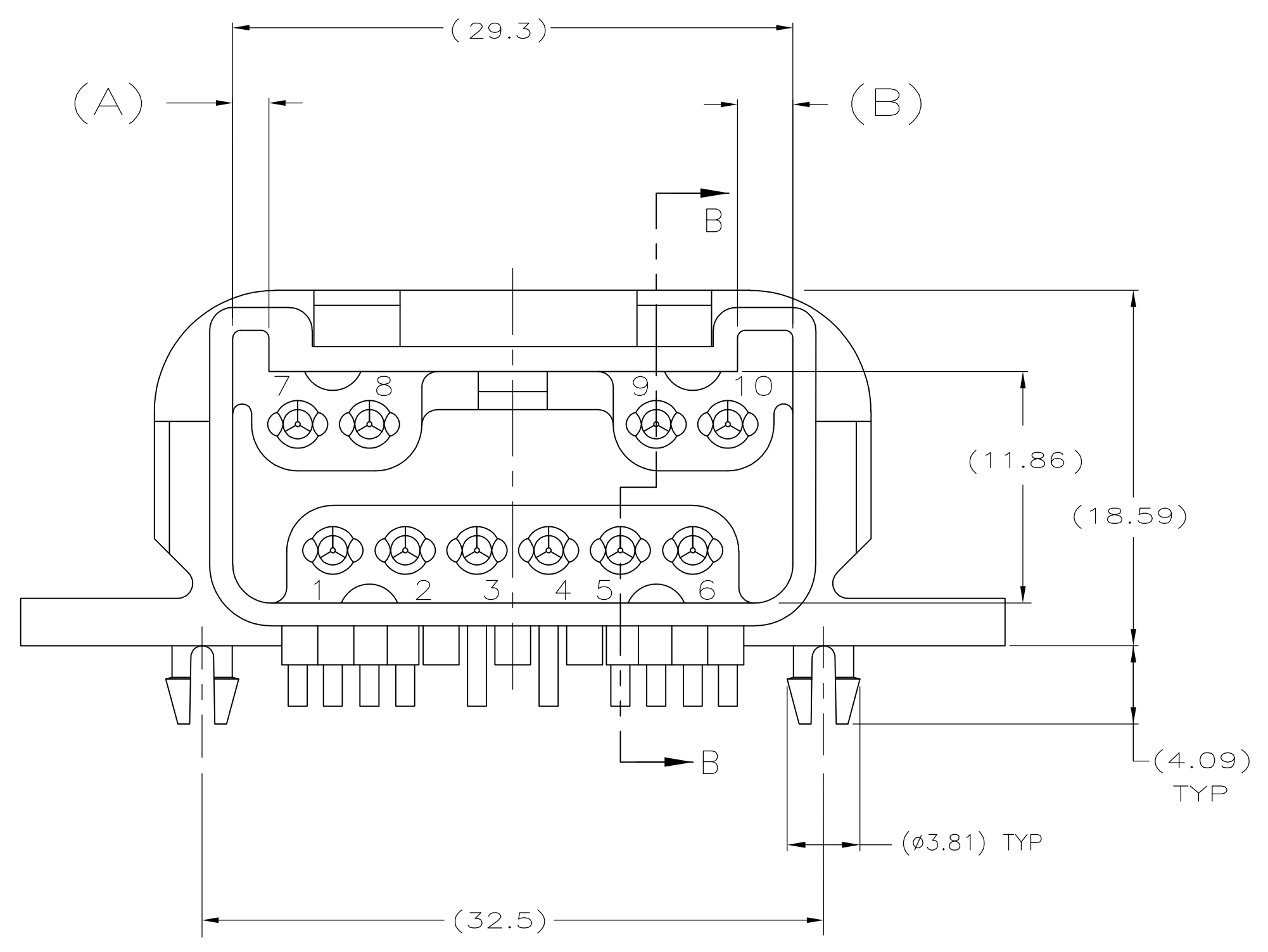
FRONT POSITION OF SLEEVE, WIRE CONN.



PRINTED CIRCUIT BOARD HOLE PATTERN, REF SCALE 2:1



SECTION B-B



HI-CURRENT

(2.9 [.114])	(1.89 [.074])	YF3T-14A624-AA	776061-3
(1.89 [.074])	(2.9 [.114])	F65B-14A624-HA	776061-2
(2.9 [.114])	(1.89 [.074])	F50B-14A624-MA	776061-1
B	A	FORD PART NUMBER	PART NUMBER

THIS DRAWING IS A CONTROLLED DOCUMENT.

DIMENSIONS: mm	TOLERANCES UNLESS OTHERWISE SPECIFIED:	DWN: A. HOLT 15/JUN/2005	CHK: M. TRULL 06OCT2008	APVD: M. TRULL 06OCT2008	NAME: M. TRULL
ϕ	0. PLC ± -	Tyco Electronics Tyco Electronics Corporation Harrisburg, Pa 17105-3608			
	1. PLC ± -	PRODUCT SPEC: HEADER ASSEMBLY, 10 CIRCUIT, ABC CONNECTOR			
	2. PLC ± -	APPLICATION SPEC: -			
	3. PLC ± -	SIZE: A1			
	4. PLC ± -	CAGE CODE: 776061			
	ANGLES ± -	DRAWING NO: 00779			
MATERIAL: PBT BLACK	FINISH: -	RESTRICTED TO: -			
		CUSTOMER DRAWING		SCALE: 4:1 SHEET: 1 OF 1 REV: A	