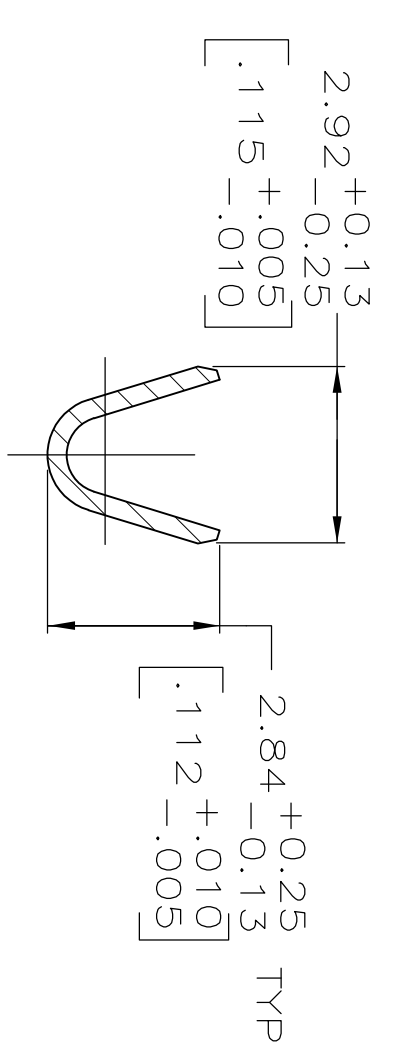
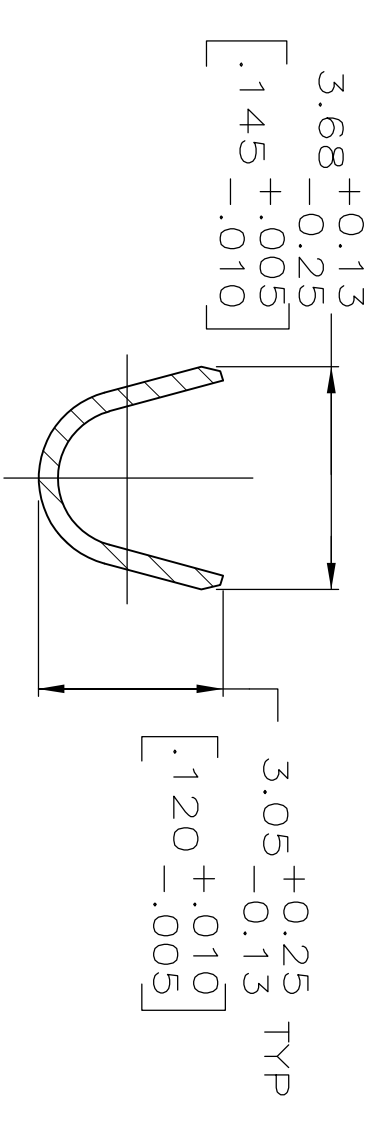
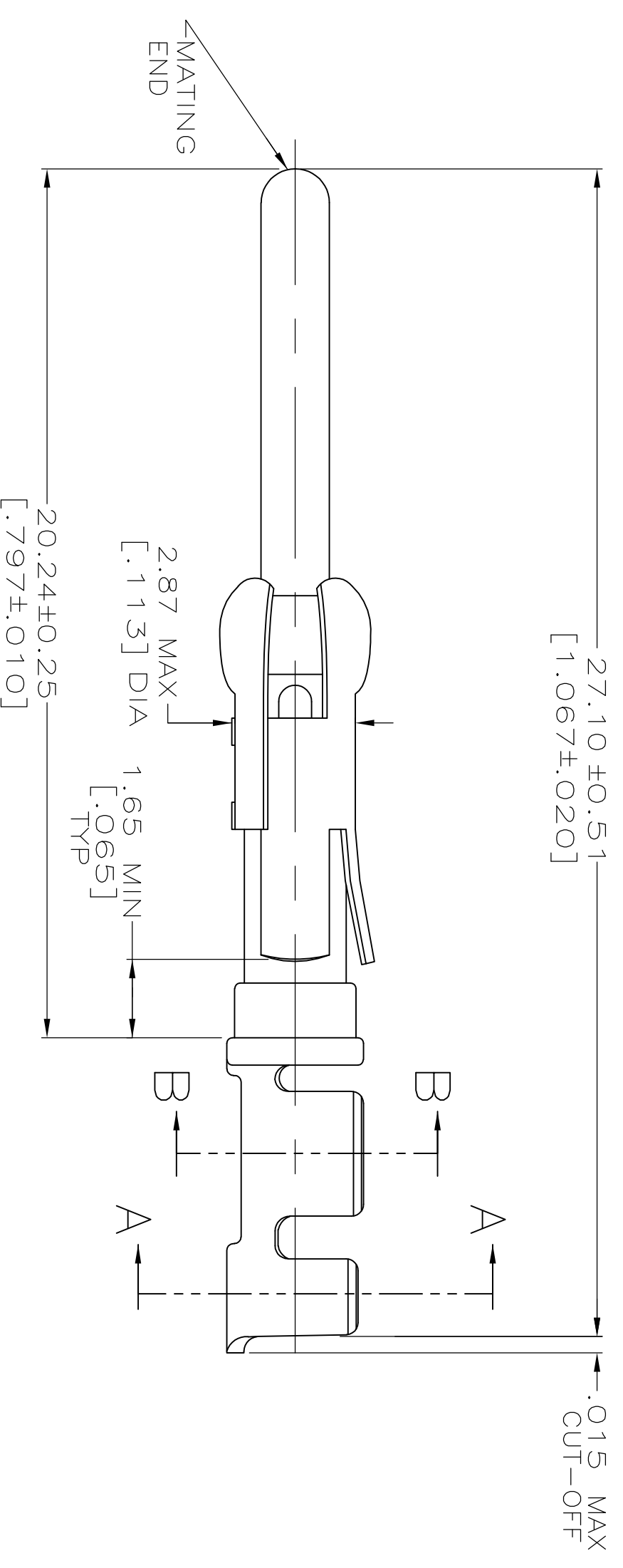
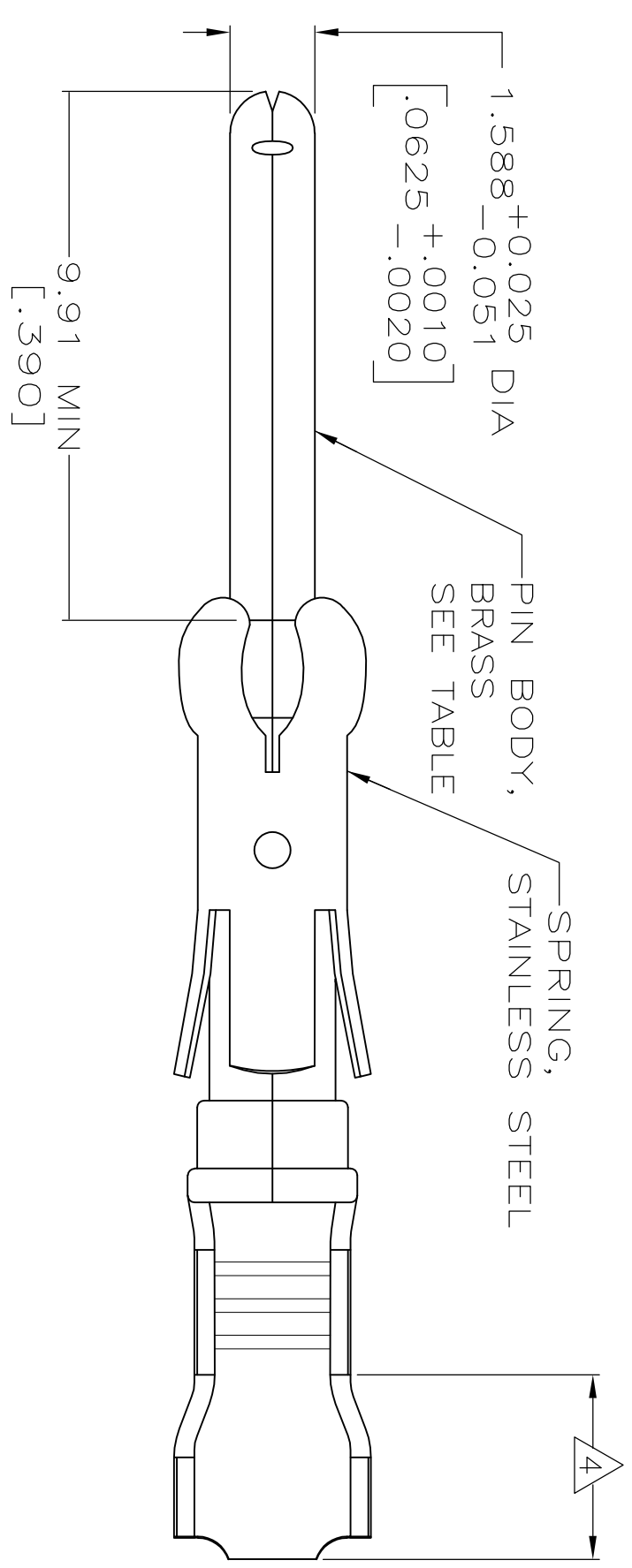


LOC	DIST	REV	DESCRIPTION	DATE	BY	APPD
FT	47	P				
		F	REVISED PER ECO-12-012316	05JUL12	KH	MZ



1. 0.76µm [.000030] MIN PRECIOUS METAL PLATE ON MATING END FOR A LENGTH OF 5.08 [.200] MIN WITH 1.27µm [.000050] MIN MATTE TIN PLATE IN WIRE CRIMP AREA, BOTH OVER 1.27µm [.000050] MIN NICKEL PLATE. CONFORMS TO THE REQUIREMENTS OF THE CONNECTIVITY PRODUCT SPEC 108-10042, BASED ON EIA/ECA-364-1000.01A (CONTROLLED ENVIRONMENT APPLICATIONS ).

2. 0.76µm [.000030] MIN PRECIOUS METAL PLATE ON MATING END FOR A LENGTH OF 5.08 [.200] MIN WITH A UNIFORM GRADIENT TO 0.25µm [.000010] ON REMAINDER, OVER 1.27µm [.000050] MIN NICKEL PLATE. GOLD FLASH ALL OVER. CONFORMS TO THE REQUIREMENTS OF THE CONNECTIVITY PRODUCT SPEC 108-10042, BASED ON EIA/ECA-364-1000.01A (CONTROLLED ENVIRONMENT APPLICATIONS ).

3. 0.38µm [.000015] MIN GOLD PER MIL-G-45204 ON MATING END FOR A LENGTH OF 5.08 [.200] MIN WITH 1.27µm [.000050] MIN MATTE TIN PLATE IN WIRE CRIMP AREA, BOTH OVER 1.27µm [.000050] MIN NICKEL PER QQ-N-290.

4. GOLD PLATING NOT REQUIRED IN THIS AREA.

5. 1.27µm [.000050] MIN TIN-LEAD PER MIL-T-10727 OVER 1.27µm [.000050] MIN NICKEL PER QQ-N-290.

6. WIRE RANGE 18-16 AWG.

7. INSULATION RANGE 2.03[.080]-2.54[.100] DIA.

8. 0.38µm [.000015] MIN GOLD PER MIL-G-45204 ON MATING END FOR A LENGTH OF 5.08 [.200] MIN, 1.27µm [.000050] MIN TIN-LEAD PER MIL-T-10727 ON OPPOSITE END FOR A LENGTH OF 5.69 [.224] MIN, BOTH OVER 1.27µm [.000050] MIN NICKEL PER QQ-N-290.

9. 1.27µm [.000050] MIN TIN PER MIL-T-10727 OVER 1.27µm [.000050] MIN NICKEL PER QQ-N-290.

SECTION B-B

SECTION A-A

DESCRIPTION	QTY	REF	FINISH	PART NO
SMALL PACK	9	1-66098-8	CONTACT FINISH	66099-6
STANDARD	9	1-66098-8	CONTACT FINISH	66099-5
SMALL PACK	1	66098-4	CONTACT FINISH	66099-4
SMALL PACK	3	66098-3	CONTACT FINISH	66099-3
SMALL PACK	5	66098-2	CONTACT FINISH	66099-2
SMALL PACK	2	66098-1	CONTACT FINISH	66099-1
STANDARD	8	1-66098-6	CONTACT FINISH	66099-0
STANDARD	1	66098-4	CONTACT FINISH	66099-4
STANDARD	3	66098-3	CONTACT FINISH	66099-3
STANDARD	5	66098-2	CONTACT FINISH	66099-2
STANDARD	2	66098-1	CONTACT FINISH	66099-1

THIS DRAWING IS A CONTROLLED DOCUMENT.

DIMENSIONS: mm [INCHES]	TOLERANCES UNLESS OTHERWISE SPECIFIED:
0 PIC ± .01	1 PIC ± .01
1 PIC ± .01	2 PIC ± .01
2 PIC ± .01	3 PIC ± .01
3 PIC ± .01	4 PIC ± .01
4 PIC ± .01	ANGLES ± .1

APPROVED: G. STEINHILBER, DATE: 7-7-92

DATE: 05/29/92

SCALE: 8:1

REV: 1 OF 1

RESTRICTED TO: F