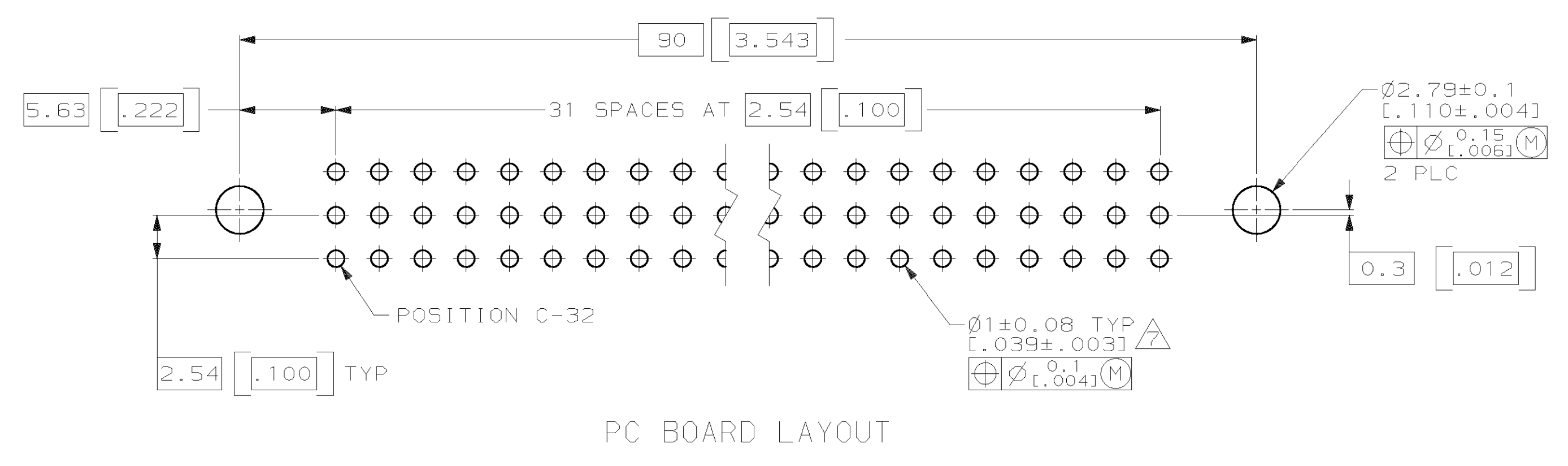
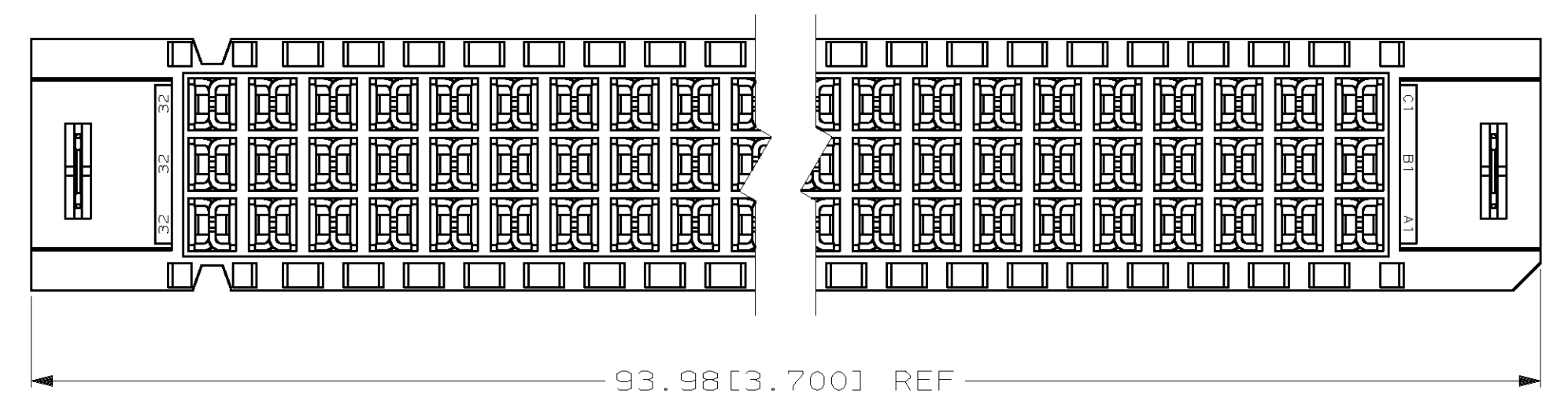
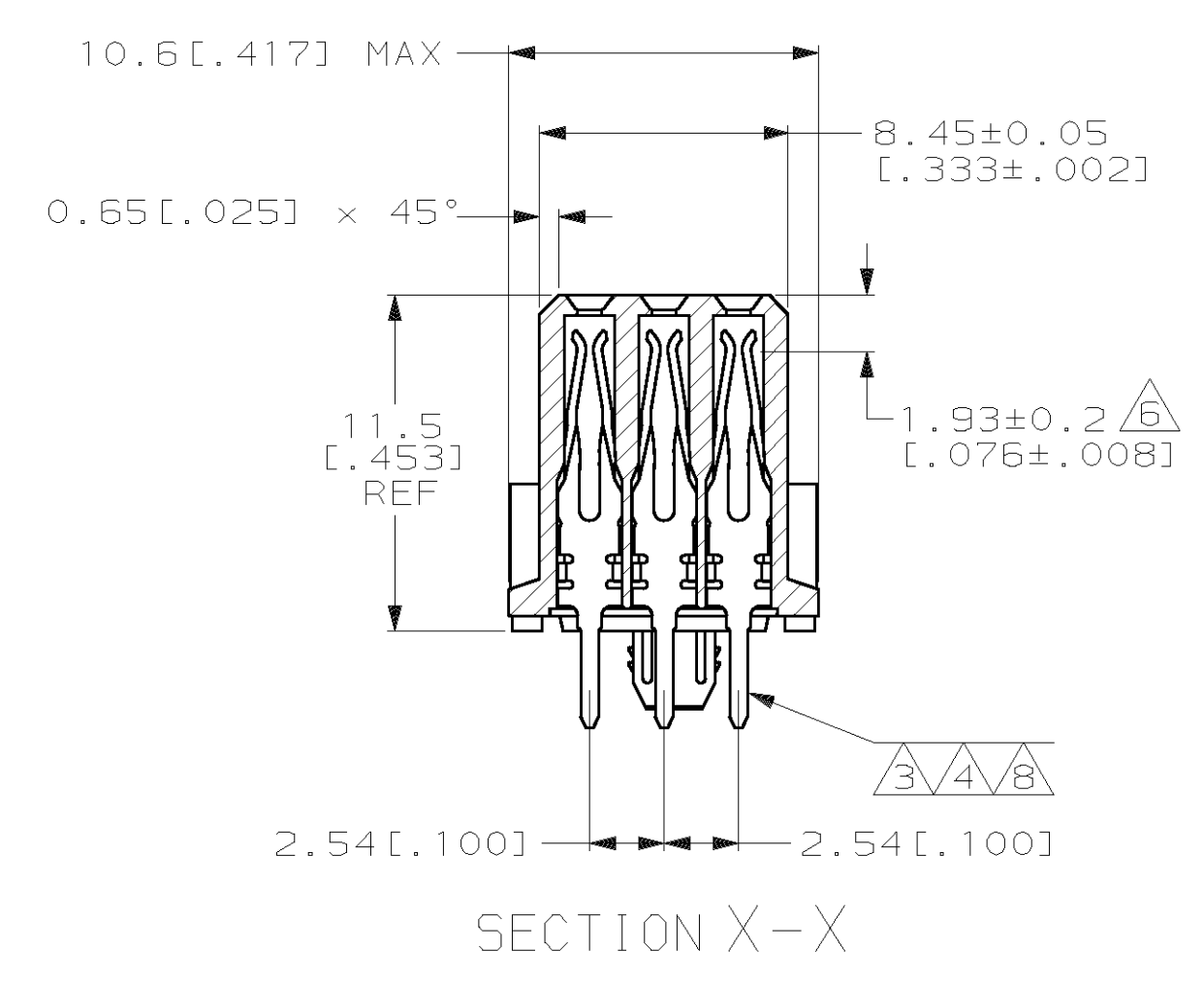
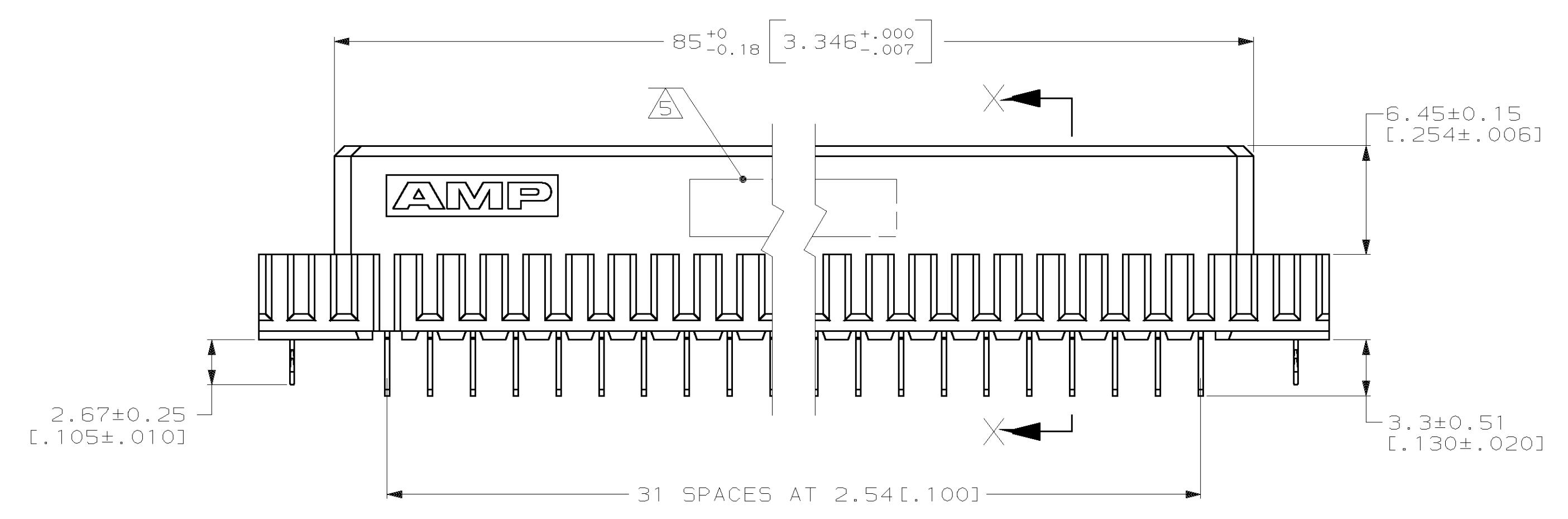
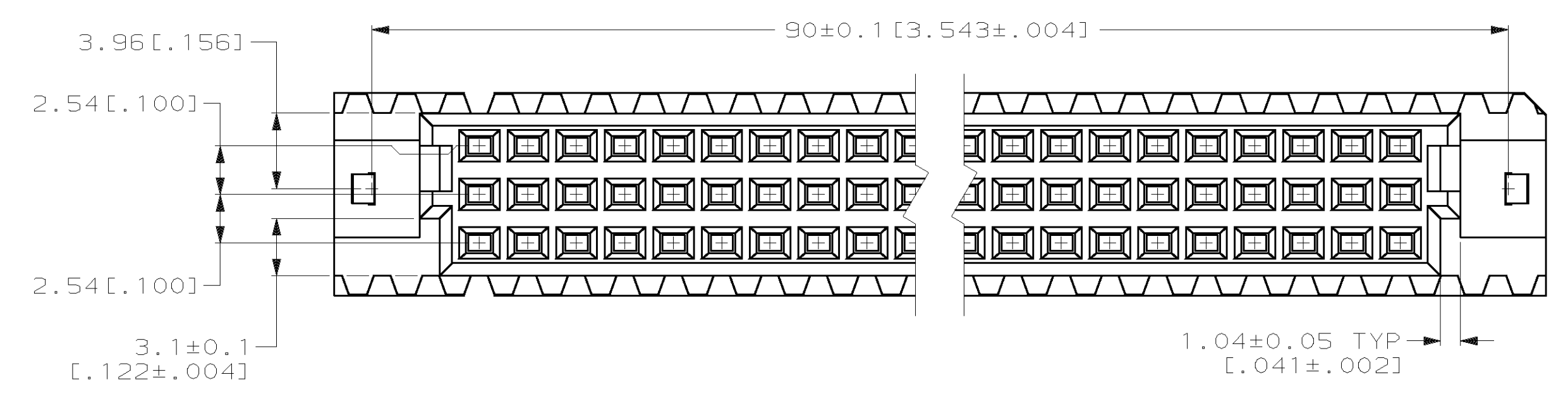


LOC		DIST		P		F		ZONE		LTR		REVISIONS			
AD	25											DESCRIPTION	DATE	APPD	
												H	EC 0504-0087-96	11/18/96	CR
												J	REV PER EC 0U1B-0367-00	09 JAN 01	CR



- △ HOUSING MATERIAL: GLASS-FILLED POLYESTER. COLOR: GRAY.
- △ CONTACT MATERIAL: PHOSPHOR BRONZE.
- △ CONTACT FINISH: DIN 41612 CLASS 2 IN CONTACT AREA. TIN-LEAD PLATE ON POSTS.
- △ CONTACT FINISH: DIN 41612 CLASS 3 IN CONTACT AREA. TIN-LEAD PLATE ON POSTS.
- △ PART NUMBER, DATE CODE IDENTIFICATION, CSA LOGO IN THIS APPROXIMATE AREA.
- △ CONTACT POINT.
- △ RECOMMENDED HOLE SIZE FOR MANUAL APPLICATION OF CONNECTOR ONTO PC BOARD.
- △ CONTACT FINISH: 0.00076 [1.000030] GOLD IN CONTACT AREA. 0.00127 [1.000050] NICKEL UNDERPLATE ALL OVER. TIN-LEAD PLATE ON POSTS.

NOTES	POSITIONS LOADED	C	B	A	NO. OF LOADED POSITION	ASSY PART NUMBER	
SUPERSEDED BY 650963-5	△4	1-32	X	X	X	96	650963-9
	△3	1-32	X	X	X	96	650963-5
	△B	1-32	X	X	X	96	650963-4

DO NOT SCALE PRINT. UNLESS SPECIFIED DIMENSIONS IN mm [INCHES] TOLERANCES ON: 1 PLC DEC ± - 2 PLC DEC ± 0.13 [1.005] ANGLES ± -	DR L. BRINER 2/22/91 CHK N. DRASHER 2/25/91 APPD N. DRASHER 2/25/91 APPD K.R. PARMER 2/25/91 PRODUCT SPEC -	AMP INCORPORATED Harrisburg, Pa. 17105			
MATERIAL HSG △ CONTACT △	FINISH CONT △△△				
	WEIGHT -	SCALE 4:1	SHEET 1 OF 1	CUSTOMER DRAWING	