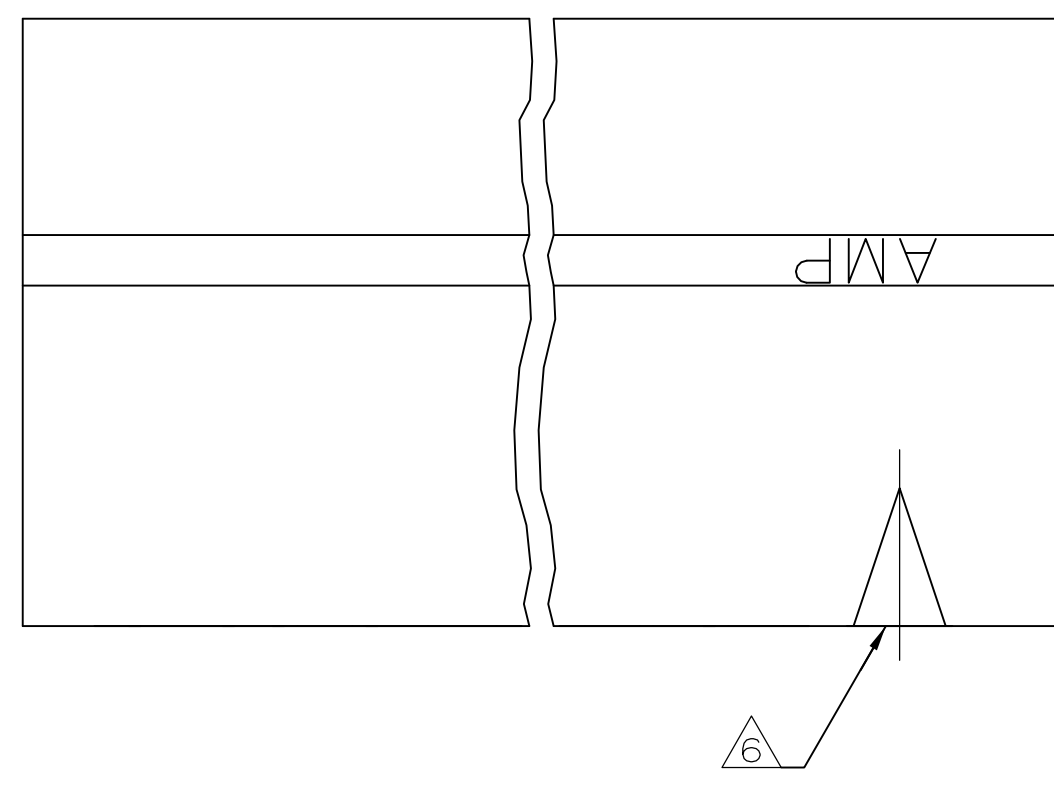
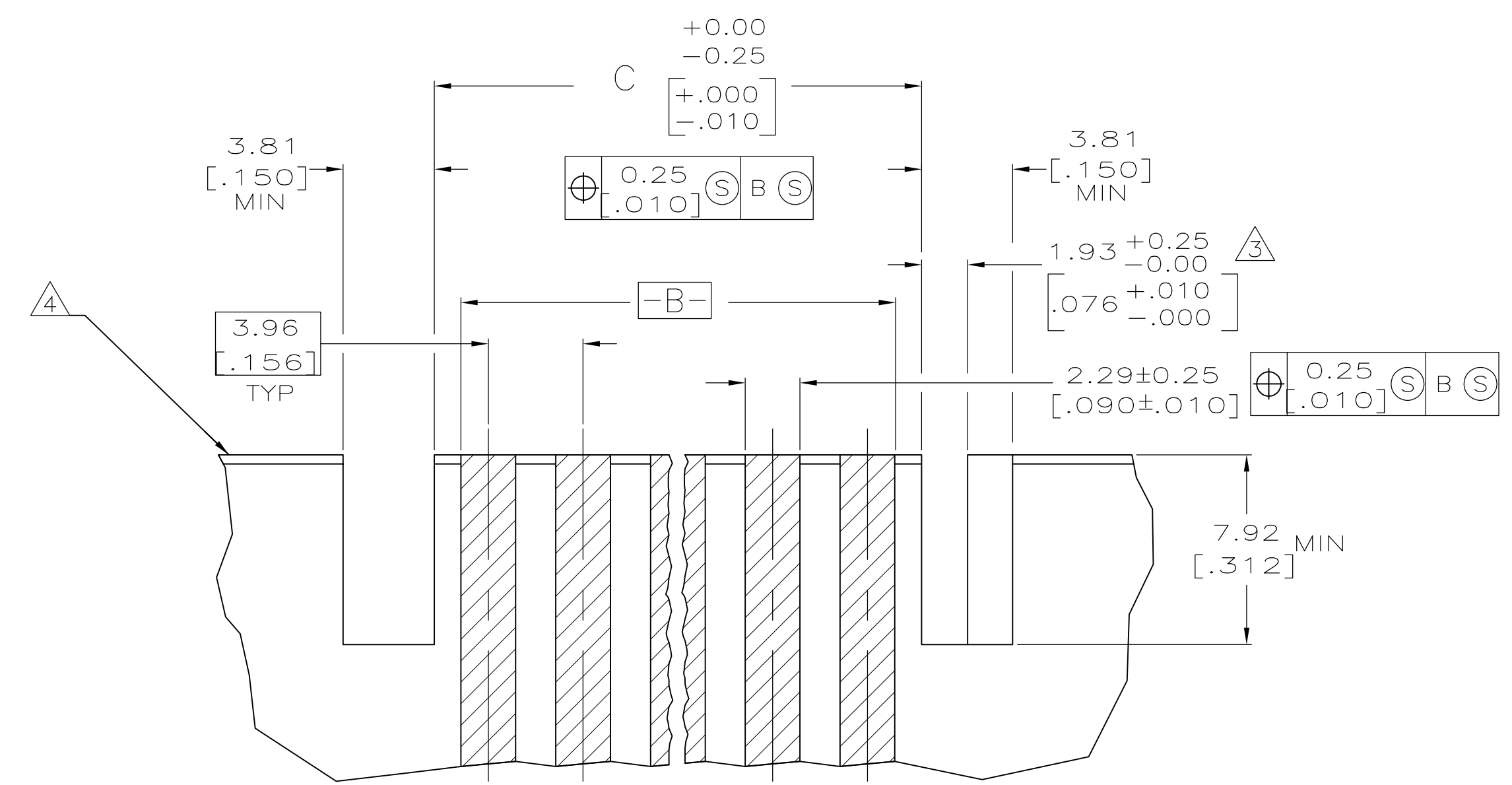
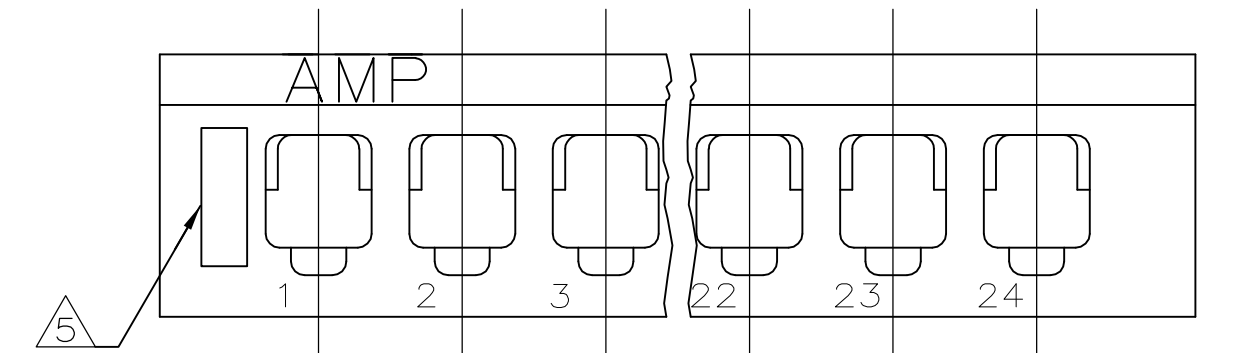
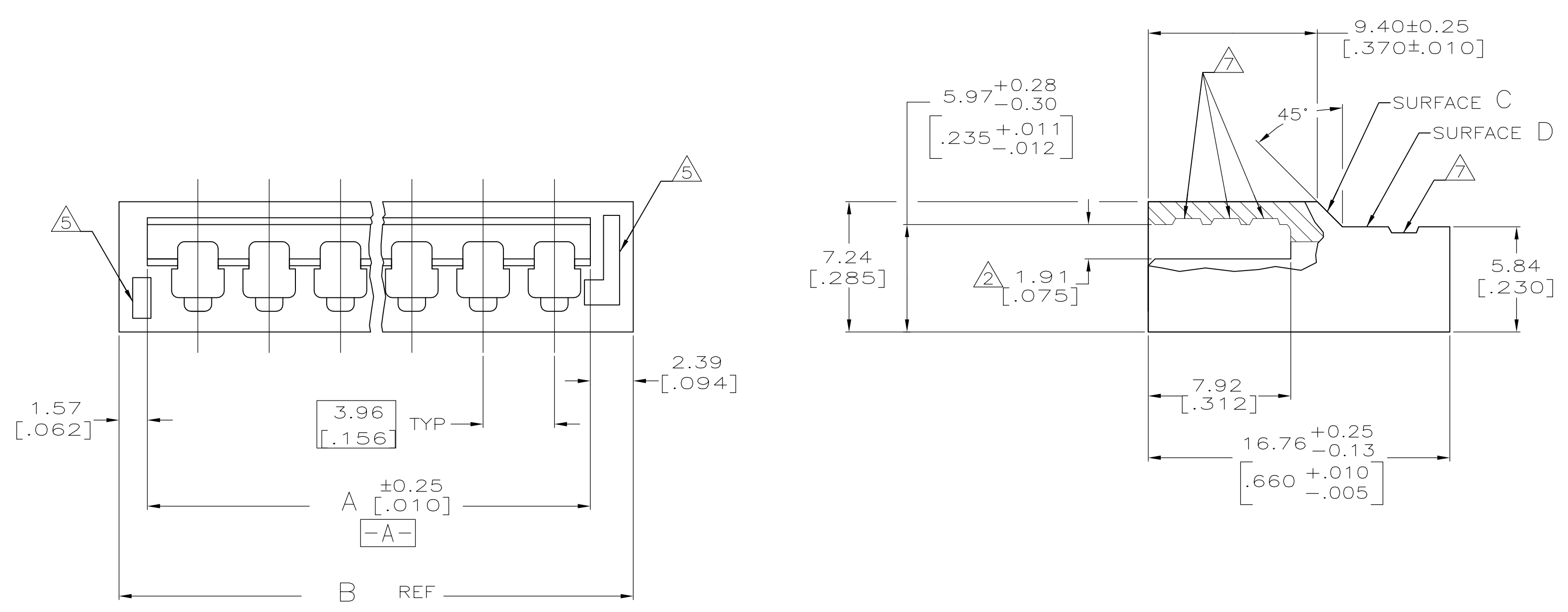


LOC		DIST		REVISIONS			
P	LT/R	DESCRIPTION	DATE	OWN	APP'D		
U2		REVISED PER ECO-11-004587	11MAR11	RK	HMR		



1. HOUSING ACCEPTS CONTACTS P/N 61668 OR 350194.
2. MEASURED AT ENDS OF CARD SLOT.
3. RECOMMENDED CUTOUT FOR HOUSING POLARIZATION. WHERE REQUIRED.
4. 0.38 [.015] MIN X 45° CHAMFER RECOMMENDED ON BOTH SIDES OF BOARD.
5. CORING OPTIONAL.
6. OPTIONAL FROSTED SURFACE LOCATED ON \perp OF CIRCUIT NO. 1; ANOTHER OPTION IS A RECESSED TRIANGLE ON SURFACE C WITH A FROSTED AMP LOGO ON SURFACE D.
7. OPTIONAL PULL GROOVE AS REQUIRED FOR MOLDING.
8. DIMENSIONS IN BRACKETS ARE IN INCHES.
9. OBSOLETE PARTS: OBSOLETE CIS STREAMLINING PER D.RENAUD/D.SINIS



RECOMMENDED LAYOUT PATTERN FOR 1.575±0.191 [.0620±0.0075] THICK P.C. BOARD INCLUDING CIRCUITRY

	C	B	A	NO OF CIRCUITS	PART NO.
9 OBSOLETE	87.83[3.458]	92.08[3.625]	88.11[3.469]	22	-2-640136-2-
	71.96[2.833]	76.20[3.000]	72.24[2.844]	18	1-640136-8
	64.01[2.520]	68.25[2.687]	64.29[2.531]	16	1-640136-6
	60.05[2.364]	64.29[2.531]	60.33[2.375]	15	1-640136-5
	48.13[1.895]	52.37[2.062]	48.41[1.906]	12	1-640136-2
	44.17[1.739]	48.41[1.906]	44.45[1.750]	11	1-640136-1
	40.21[1.583]	44.45[1.750]	40.49[1.594]	10	1-640136-0
	36.25[1.427]	40.49[1.594]	36.53[1.438]	9	640136-9
	32.26[1.270]	36.50[1.437]	32.54[1.281]	8	640136-8
OBSOLETE	28.30[1.114]	32.54[1.281]	28.58[1.125]	7	-640136-7-
	24.33[.958]	28.58[1.125]	24.61[.969]	6	640136-6
9 OBSOLETE	20.37[.802]	24.61[.969]	20.65[.813]	5	-640136-5-
	16.38[.645]	20.62[.812]	16.66[.656]	4	640136-4
	8.46[.333]	12.70[.500]	8.74[.344]	2	640136-2

THIS DRAWING IS A CONTROLLED DOCUMENT.

DIMENSIONS: MM [INCHES]	TOLERANCES UNLESS OTHERWISE SPECIFIED: 0 PLC ± - 1 PLC ± - 2 PLC ± - 3 PLC ± 0.13 [.005] 4 PLC ± ± - ANGLES ± ± -	OWN: K. SALMON 2-20-92 DWR: R. SWING 2-20-92 APVD: W. LONG 4-24-92 NAME: PRODUCT SPEC APPLICATION SPEC WEIGHT: - FINISH: -	CUSTOMER DRAWING SCALE: 5:1 SHEET: 1 OF 1 REV: U2
----------------------------	---	--	--

STE TE Connectivity
HOUSING, EDGE CONNECTOR, BIFURCATED LEAF
SIZE: A1
CAGE CODE: 00779
DRAWING NO: 640136