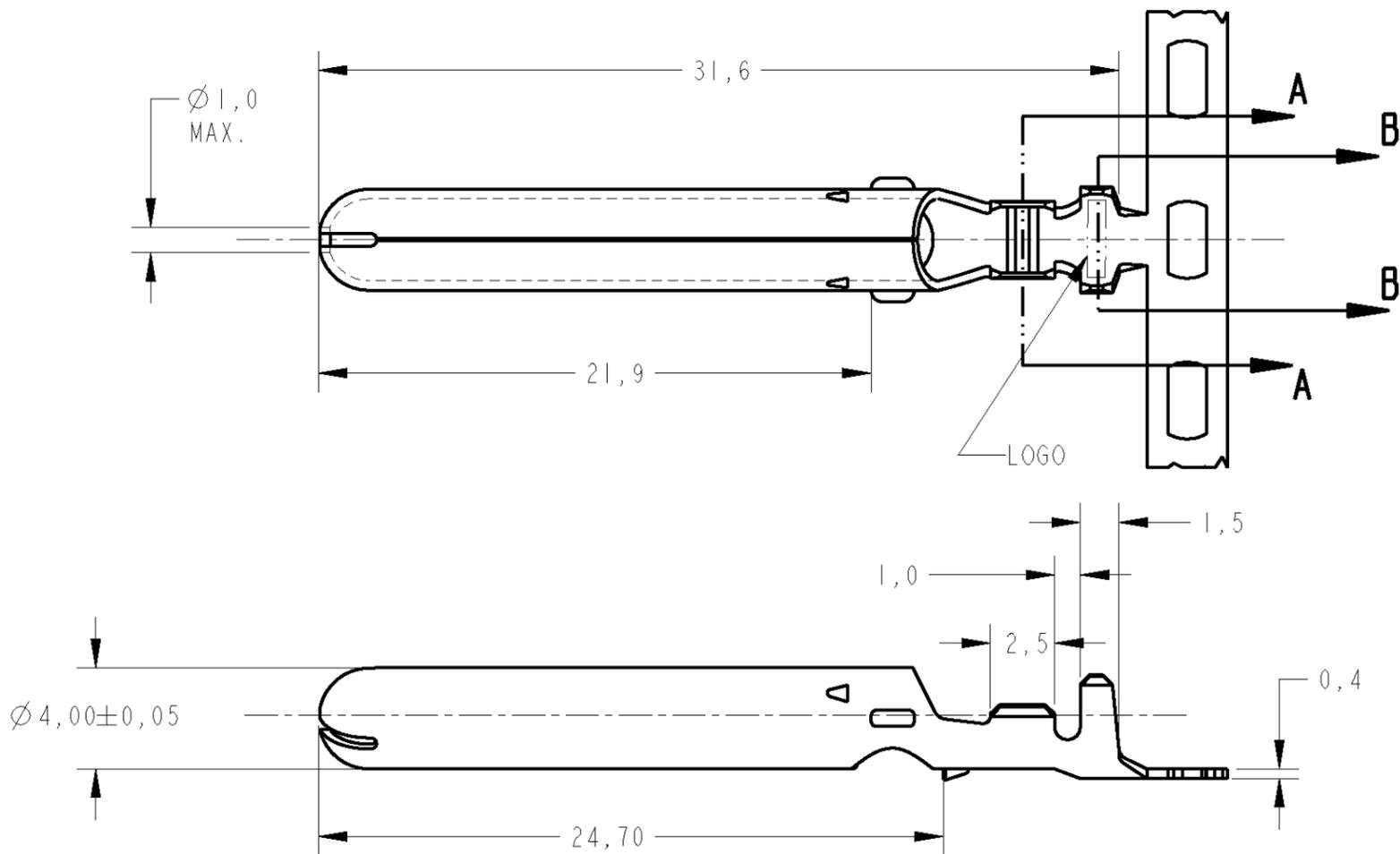
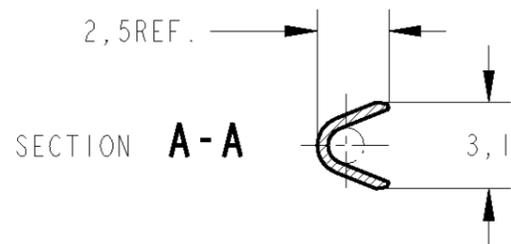
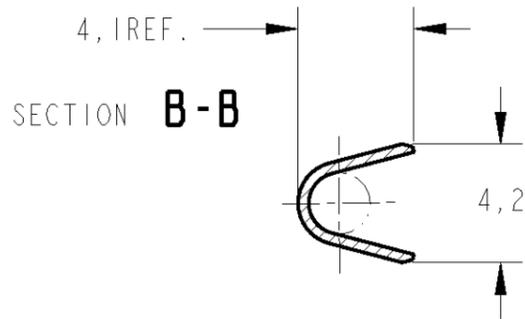
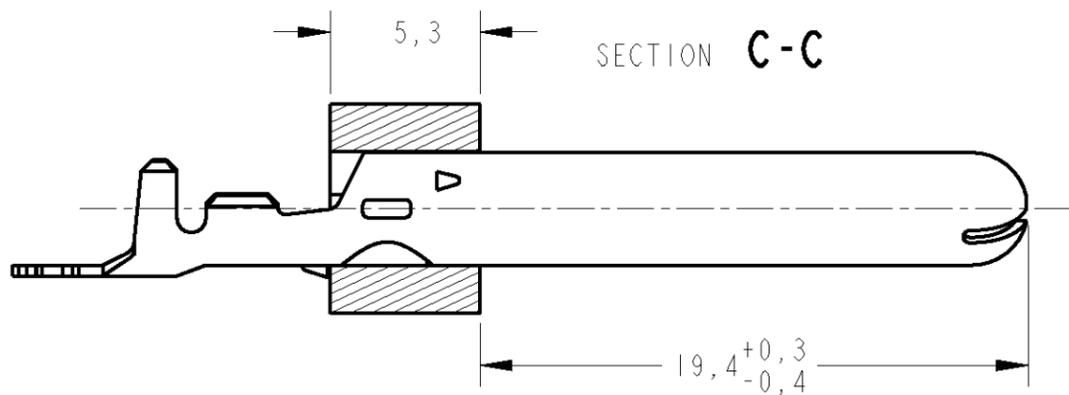


THIS DRAWING IS UNPUBLISHED. RELEASED FOR PUBLICATION  
 © COPYRIGHT 19 BY TYCO ELECTRONICS CORPORATION. ALL RIGHTS RESERVED.

LOC	DIST	REVISIONS				
P	LTR	DESCRIPTION	DATE	DWN	APVD	
AP	-	K	REV. AND REDRAW BY ECO-08-031264	09JAN2008	HC	WLS



ASSEMBLY VIEW  
VISTA DE MONTAGEM



FINISH	MATERIAL	PART NUMBER
PRE-NICKEL PLATED/PRÉ-NIQUELADO	BRASS/LATÃO	626361-3
NICKEL PLATED/NIQUELADO	BRASS/LATÃO	626361-2
NÚ / PLAIN	BRASS/LATÃO	626361-1

INSUL. RANGE  
 $\varnothing 1,9/2,8$ mm.  
 WIRE RANGE  
 22-18AWG

THIS DRAWING IS A CONTROLLED DOCUMENT FOR TYCO ELECTRONICS CORPORATION. IT IS SUBJECT TO CHANGE AND THE CONTROLLING ENGINEERING ORGANIZATION SHOULD BE CONTACTED FOR THE LATEST REVISION.

DIMENSIONS:	TOLERANCES UNLESS OTHERWISE SPECIFIED:
mm	
	0 PLC ±0,3
	1 PLC ±0,3
	2 PLC ±0,2
	3 PLC ±
	4 PLC ±
	ANGLES ±
MATERIAL	FINISH

DWN	H.C. CANTERI	09JAN2008
CHK	W.L. STEFANI	09JAN2008
APVD	-	-
PRODUCT SPEC	-	-
APPLICATION SPEC	-	-
WEIGHT	-	-
CUSTOMER DRAWING		

TYCO ELECTRONICS do BRASIL LTDA. São Paulo - Brasil			
WALL PLUG PIN			
SIZE	CAGE CODE	DRAWING NO	RESTRICTED TO
A3	-	©-626361	-
SCALE	SHEET	OF	REV
4/1	1	1	K