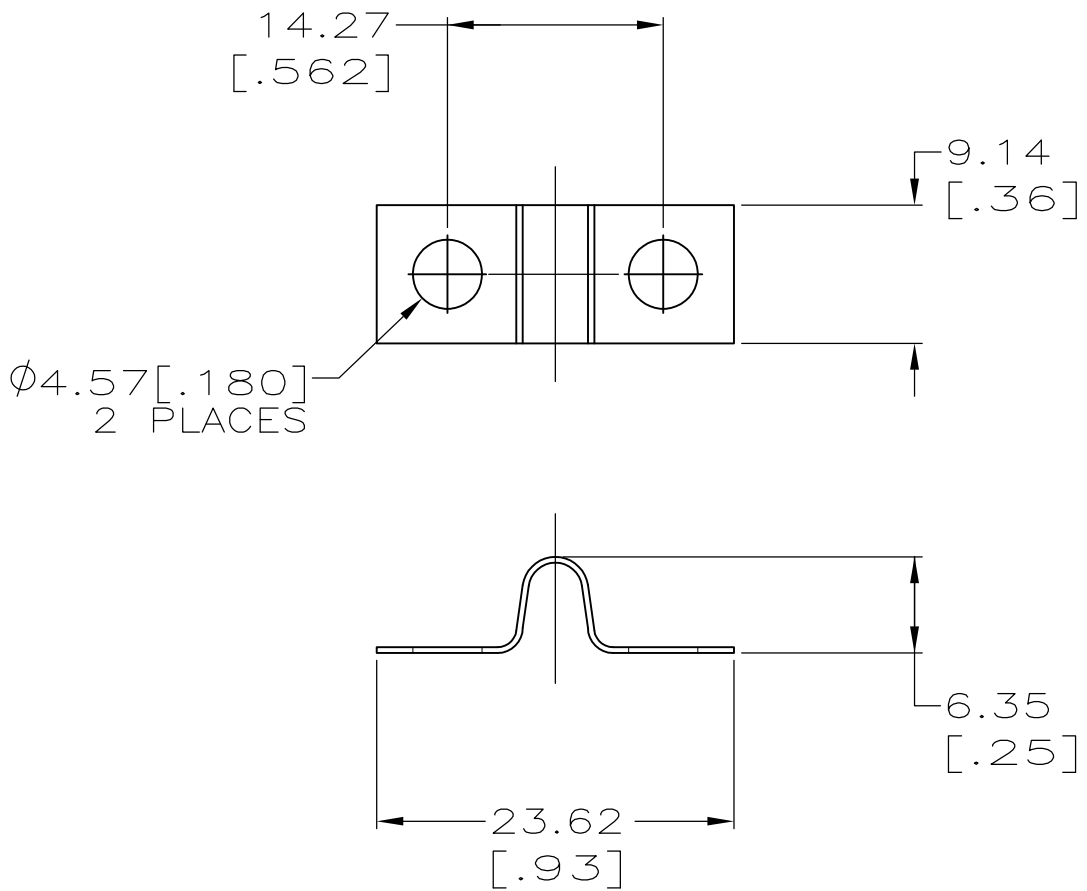


LOC EY	DIST 25	REVISIONS				
P	LTR	DESCRIPTION	DATE	DWN	APVD	
	A1	REVISED PER ECO-11-005033	22MAR11	RK	HMR	



MATERIAL: 0.38 [.015] THICK 70-30 BRASS Rb 50-65.



OBSOLETE	AS SHOWN	100 PER PACKAGE	604591-2
	NICKLE PLATE	BULK	604591-1
	FINISH	PACKAGING	PART NO.

RELEASED FOR PUBLICATION

ALL RIGHTS RESERVED.

THIS DRAWING IS UNPUBLISHED.

By -  
© COPYRIGHT -

DIMENSIONS: mm [INCHES]	DWN G. GARRETT	03FEB97	MATERIAL	-	FINISH	-
	CHK G. GARRETT	03FEB97	TE Connectivity			
TOLERANCES UNLESS OTHERWISE SPECIFIED:	APVD E. HRYN	03FEB97				
0 PLC ± -	PRODUCT SPEC	-	SIZE	CAGE CODE	DRAWING NO	RESTRICTED TO
1 PLC ± -	APPLICATION SPEC	-	A4	00779	C-604591	-
2 PLC ± 0.51[.02]	WEIGHT	-	CUSTOMER DRAWING			
3 PLC ± 0.13[.005]			SCALE	2:1	SHEET	1 OF 1
4 PLC ± -					REV	A1
ANGLES ± -						

