

THIS DRAWING IS UNPUBLISHED. RELEASED FOR PUBLICATION OCT. 1984. ALL RIGHTS RESERVED.

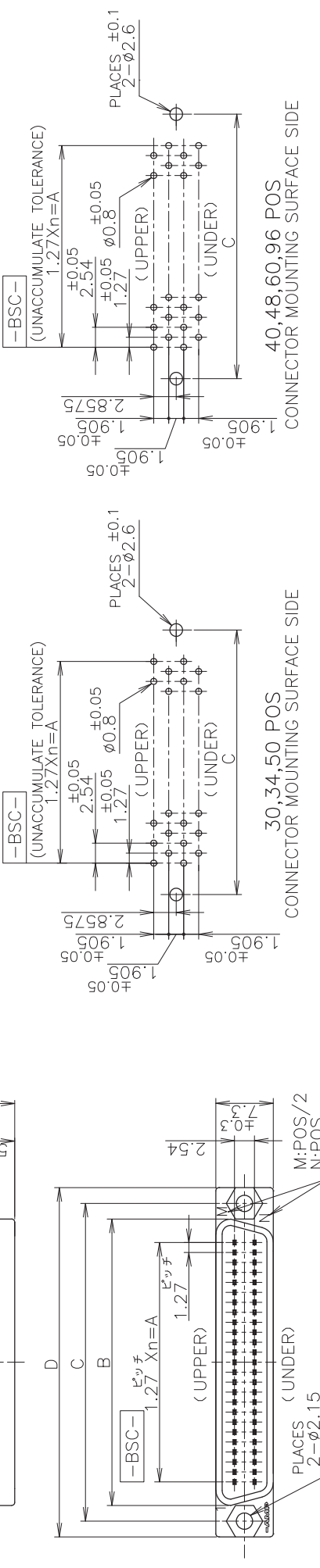
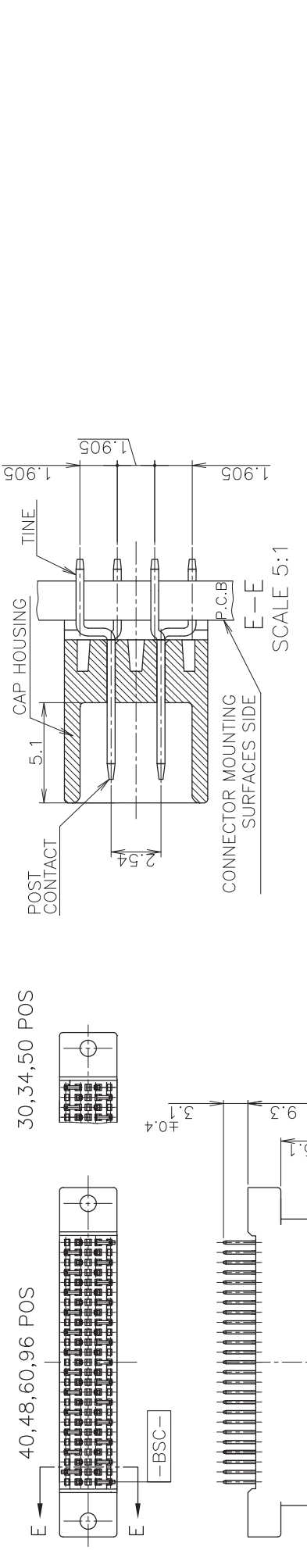
THIS DRAWING IS UNPUBLISHED. OCT. 1984. ALL RIGHTS RESERVED.

REVISED PER ECO-11-005030

DATE 11MAR11

DWN RK

APVD HMR



Δ OBSOLETE	8	96	47	59.69	65.66	69.66	73.66
	-6	48	23	29.21	35.18	39.18	43.18
	-5	34	16	20.32	26.29	30.29	34.29
	-4	60	29	36.83	42.80	46.80	50.80
	-3	50	24	30.48	36.45	40.45	44.45
	-2	40	19	24.13	30.10	34.10	38.10
	5173280-1	30	14	17.78	23.75	27.75	31.75
	P/N	POS	n	A	B	C	D

THIS DRAWING IS A CONTROLLED DOCUMENT.

TE Connectivity

STE

CAP ASSY VERTICAL

AMPLIMITE 050 SERIES I B-TO-B CONN.

01APR05 T.KAWAMAE

01APR05 I.ENOMOTO

01APR05 I.ENOMOTO

PRODUCT SPEC 製品仕様 08-60036

ABSOLUTE DIM. SPEC 絶対寸法仕様

WEIGHT 重量

SIZE 尺寸 A3

DRAWING NO. 図号 C=5173280

RESTRICTED TO 限制

CUSTOMER DRAWING

SCALE 尺度 2:1

SHEET 1 of 3

REV A2

1470-19 (3/11)

- 1 USE A P.C.B. WHOSE SURFACES ARE TREATED WITH SOLDER RESIST.
- 2 SHOW P.C.B. LAYOUT FROM THE CONNECTOR-MOUNTING SURFACE SIDE.
- 3 NUMBER THE CONTACTS IN THE P.C.B OR CONNECTOR CONSECUTIVELY FROM THE BSC SIDE.
- 4 WHEN SCREWING THE CONNECTOR TO THE P.C.B, USE M2 SCREW, NUT AND WASHERS.
- 5 HOUSING MATERIAL : THERMOPLASTICS (UL94-V0). COLOR:BLACK
- 6 CONTACT MATERIAL : COPPER ALLOY
- 7 FINISH : NICKEL 1.27μ MIN THK, OVERALL SELECTIVE GOLD 0.2μ MIN THK ON CONTACT AREA AND TIN 1μ MIN THK ON TINE AREA.
- 8 OBSOLETE PARTS: OBSOLETE CIS STREAMLINING PER D.RENAUD/D.SINISI

GENERAL TOLERANCE 一般公差

10 ≥ : ±0.2

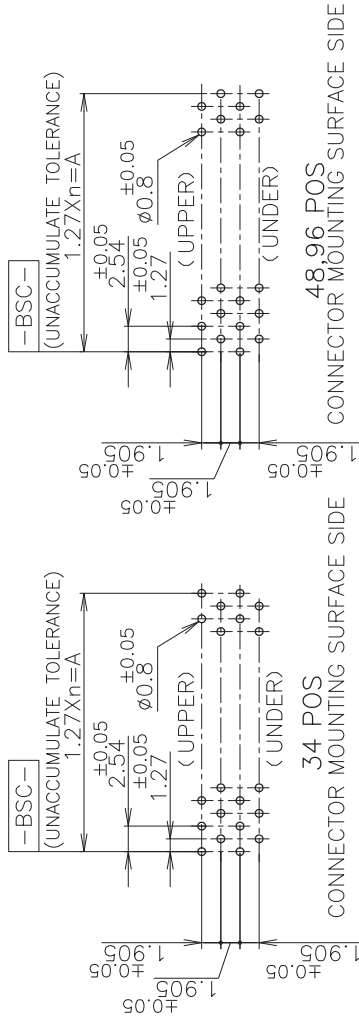
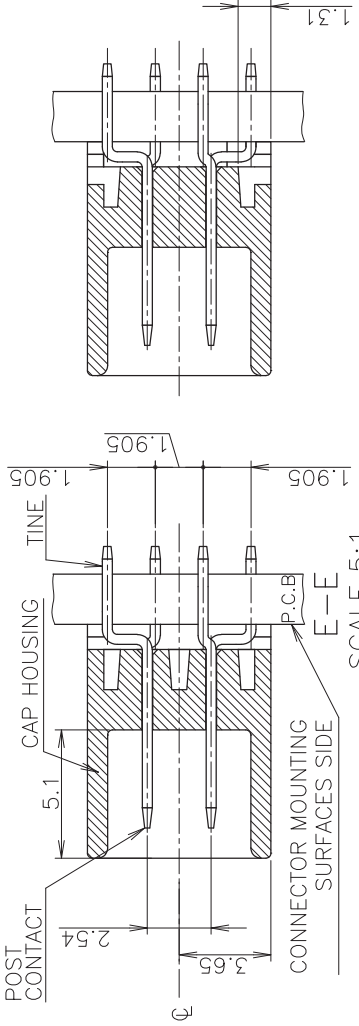
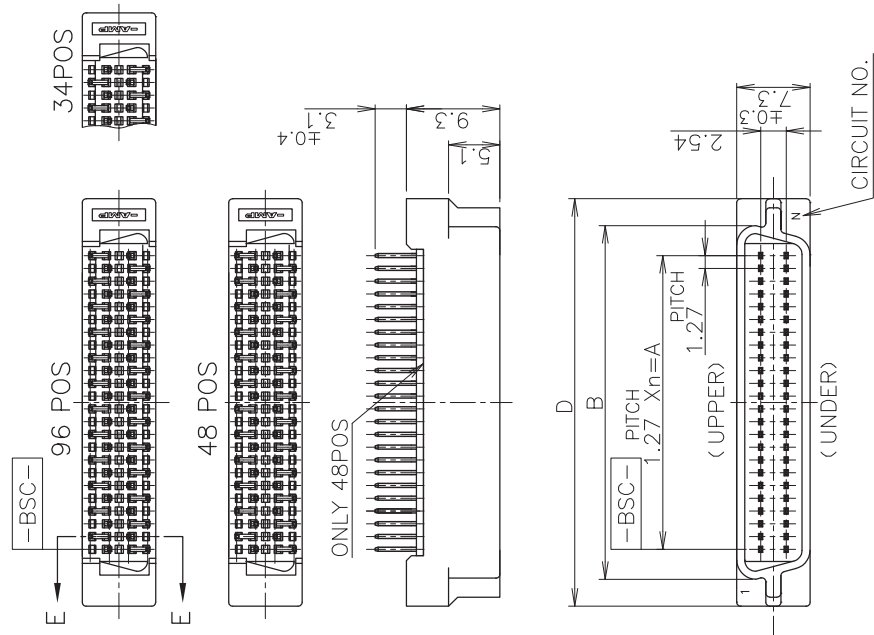
30 ≥ > 10 : ±0.25

100 ≥ > 30 : ±0.3

ANGLES : ±3°

THIS DRAWING IS UNPUBLISHED. OCT. 1984. ALL RIGHTS RESERVED.

REVISIONS		DATE	DWN	APVD
P	LTR	DESCRIPTION		
SEE SHEET 1				



- 1 USE A P.C.B. WHOSE SURFACES ARE TREATED WITH SOLDER RESIST.
- 2 SHOW P.C.B LAYOUT FROM THE CONNECTOR-MOUNTING SURFACE SIDE.
- 3 NUMBER THE CONTACTS IN THE P.C.B OR CONNECTOR CONSECUTIVELY FROM THE [-BSC-] SIDE.
- 4 HOUSING MATERIAL : THERMOPLASTICS (UL94-V0). COLOR:BLACK
- 5 CONTACT MATERIAL : COPPER ALLOY
- 6 FINISH : NICKEL 1.27 μ MIN THK, OVERALL SELECTIVE GOLD 0.2 μ MIN THK ON CONTACT AREA AND TIN 1 μ MIN THK ON TINE AREA.

THIS DRAWING IS A CONTROLLED DOCUMENT.

DIMENSIONS: 單位: 毫米 (MM)

0 PLC  
1 PLC  
2 PLC  
3 PLC  
4 PLC  
FINISH 位上

TOLERANCES UNLESS OTHERWISE SPECIFIED: 一般公差

±  
±  
±  
±  
±  
±

SEE-△

MATERIAL 材料

SEE-△

GENERAL TOLERANCE 一般公差

10 ≥ : ±0.2  
30 ≥ > 10: ±0.25  
100 ≥ > 30: ±0.3  
ANGLES: ±3°

STE TE Connectivity

CAP ASSY VERTICAL  
AMPLIMITE .050 SERIES I B-TO-B CONN.

NAME 名稱

SIZE 規格

DRAWING NO 圖號

A3 00779 C=5173280

RESTRICTED TO

SCALE 尺碼 2:1

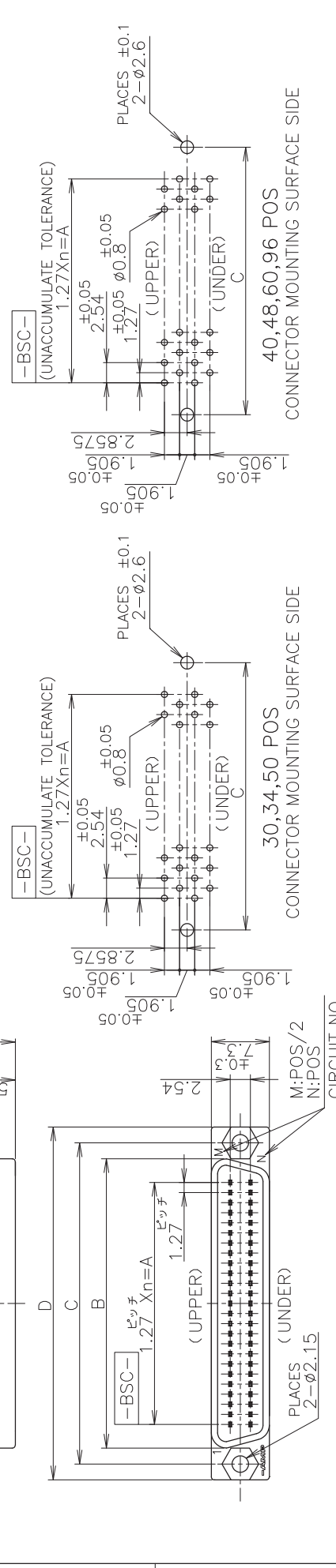
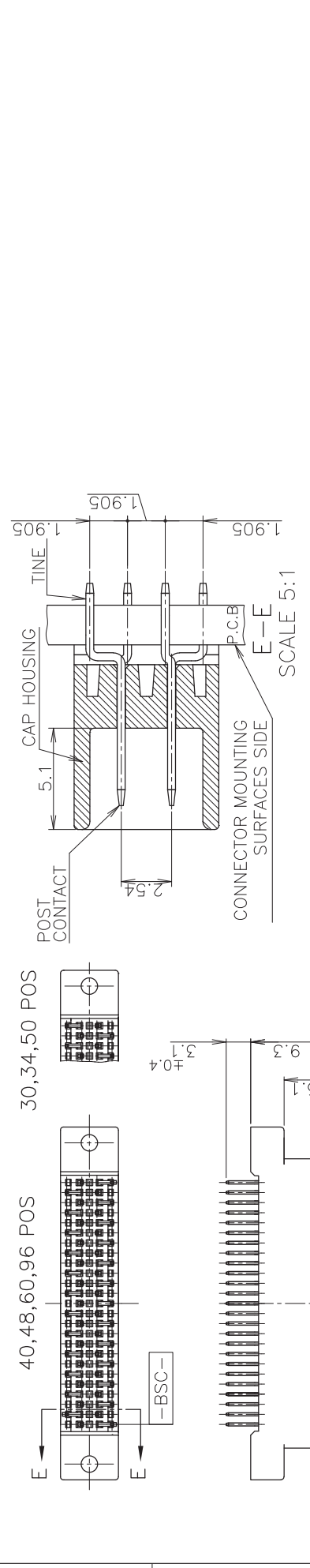
SHEET 2 of 3

REV A2

CUSTOMER DRAWING

2-	8	96	47	59.69	65.66	71.00
2-	6	48	23	29.21	35.18	40.52
2-	5173280-5	34	16	20.32	26.29	31.63

REV	DATE	DESCRIPTION
1	---	SEE SHEET 1



P/N	POS	n	A	B	C	D
6-	8	47	59.69	65.66	69.66	73.66
6-	6	48	23	29.21	35.18	39.18
6-	5	34	16	20.32	26.29	30.29
6-	4	60	29	36.83	42.80	46.80
6-	3	50	24	30.48	36.45	40.45
6-	2	40	19	24.13	30.10	34.10
6-5173280-1	30	14	17.78	23.75	27.75	31.75

STE TE Connectivity

NAME 名称  
CAP ASSY VERTICAL  
AMPLIMITE .050 SERIES I B-TO-B CONN.

SIZE 尺寸  
A3 尺度  
DRAWING NO. 图号  
C=5173280

RESTRICTED TO

CUSTOMER DRAWING

SCALE 尺度 2:1 SHEET 3 of 3 REV A2

THIS DRAWING IS A CONTROLLED DOCUMENT.

TOLERANCES UNLESS OTHERWISE SPECIFIED: 一般公差

DIMENSIONS: 单位: 毫米

0 PLC  
1 PLC  
2 PLC  
3 PLC  
4 PLC

ANGLES: 角度  
FIMISH: 仕上

MATERIAL 材料 SEE 参照

GENERAL TOLERANCE 一般公差  
10 ≥ : ±0.2  
30 > 10: ±0.25  
100 ≥ > 30: ±0.3  
ANGLES: ±3'

1 USE A P.C.B. WHOSE SURFACES ARE TREATED WITH SOLDER RESIST.  
2 SHOW P.C.B LAYOUT FROM THE CONNECTOR-MOUNTING SURFACE SIDE.  
3 NUMBER THE CONTACTS IN THE P.C.B OR CONNECTOR CONSECUTIVELY FROM THE [-BSC-] SIDE.  
4 WHEN SCREWING THE CONNECTOR TO THE P.C.B, USE M2 SCREW, NUT AND WASHERS.  
△ HOUSING MATERIAL : THERMOPLASTICS (UL94-V0). COLOR:BLACK  
△ CONTACT MATERIAL : COPPER ALLOY  
△ FINISH : NICKEL 1.27μ MIN THK. OVERALL SELECTIVE GOLD 0.76μ MIN THK ON CONTACT AREA AND TIN 1μ MIN THK ON TINE AREA.