

THIS DRAWING IS UNPUBLISHED. RELEASED FOR PUBLICATION  
 © COPYRIGHT BY TYCO ELECTRONICS CORPORATION. ALL RIGHTS RESERVED.

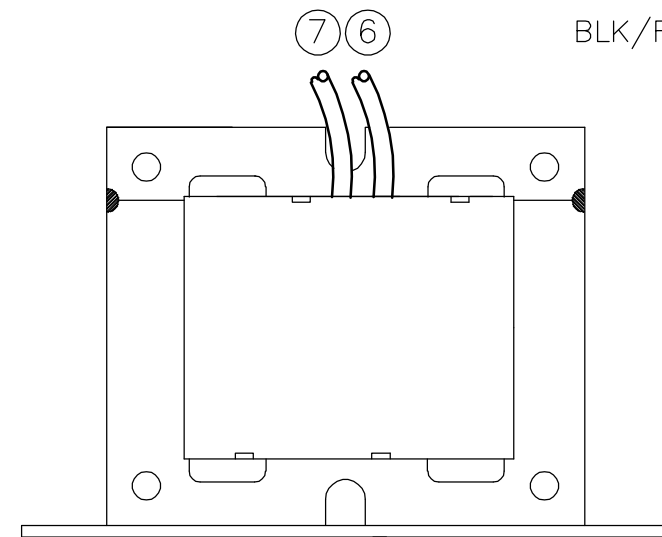
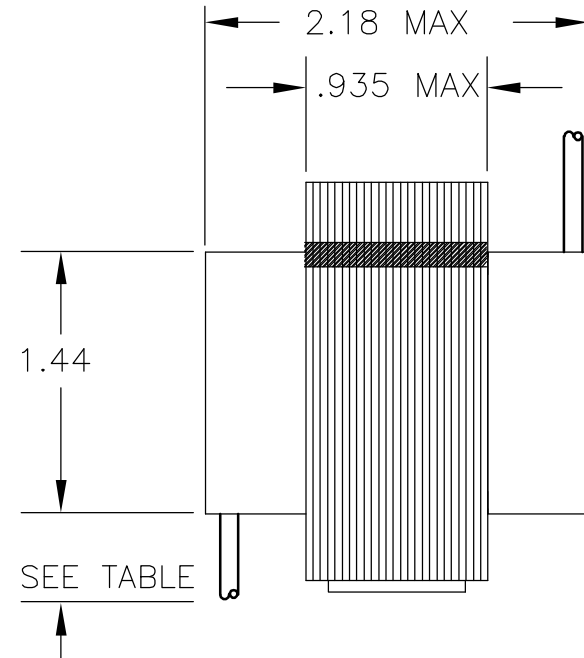
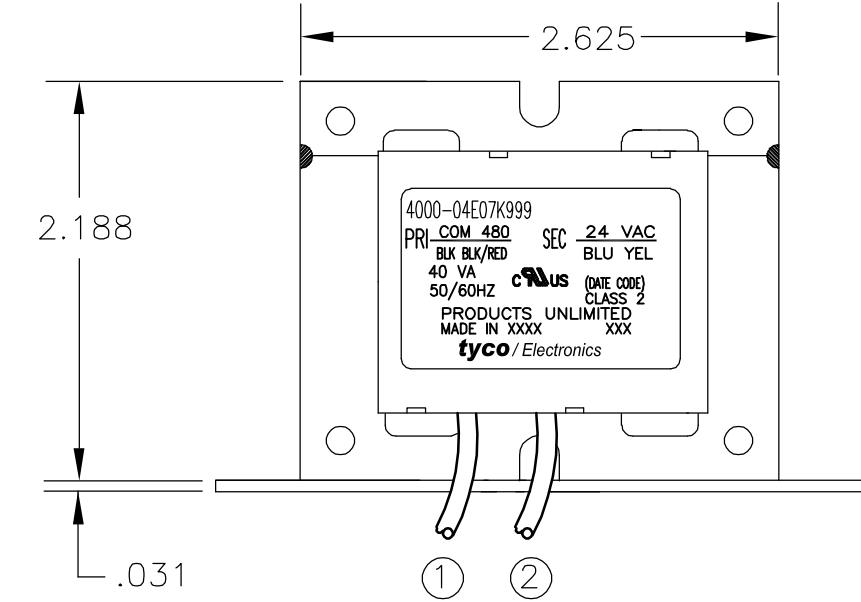
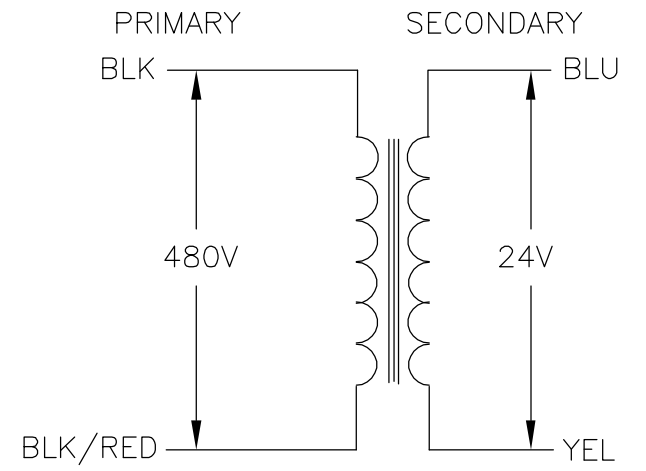
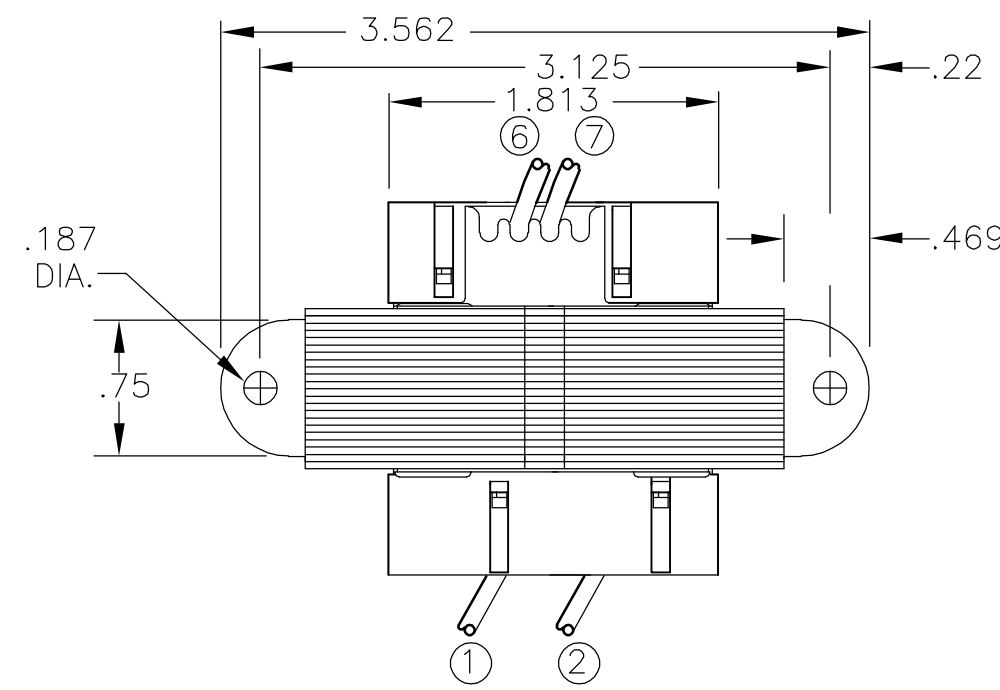
LOC	DIST	REVISIONS					
GZ	00	P	LTR	DESCRIPTION	DATE	DWN	APVD
		B		0611-0155-03	16MAY2003	TCS	KH

PRIMARY			
LEAD NO.	1	2	
VOLTAGE	COM	480	
COLOR	BLK	BLK/RED	
LENGTH	12.0	12.0	
STRIP LENGTH	.50	.50	

SECONDARY				
LEAD NO.	6	7	8	9
VOLTAGE	24	VAC		
COLOR	BLU	YEL		
LENGTH	12.0	12.0		
STRIP LENGTH	.50	.50		

NOTES  
 1. DIMENSIONS FOR REFERENCE ONLY.  
 2. WINDING PROTECTION—INHERENTLY LIMITING

CERTIFICATION: UL, CUL FILE NO. E87824



TYCO PART NUMBER  
 6-1611454-7

THIS DRAWING IS A CONTROLLED DOCUMENT.		DWN	11FFEB1997	
		CHK	-	
		APVD	-	
		PRODUCT SPEC	-	
		APPLICATION SPEC	-	
		WEIGHT	-	
		CUSTOMER DRAWING		
		SCALE	NTS	SHEET 1 OF 1
		REV	B	

DIMENSIONS:	TOLERANCES UNLESS OTHERWISE SPECIFIED:
INCHES	
	0 PLC ± -
	1 PLC ± -
	2 PLC ± -
	3 PLC ± -
	4 PLC ± -
	ANGLES ± -
MATERIAL	FINISH
-	-

Products Tyco Electronics Corporation  
 -www.unlimited- Harrisburg, PA 17105-3608  
 NAME  
 TRANSFORMER OUTLINE  
 P.U. STOCK  
 SIZE A3 CAGE CODE 00779 DRAWING NO. 4000-04E07K999 RESTRICTED TO -