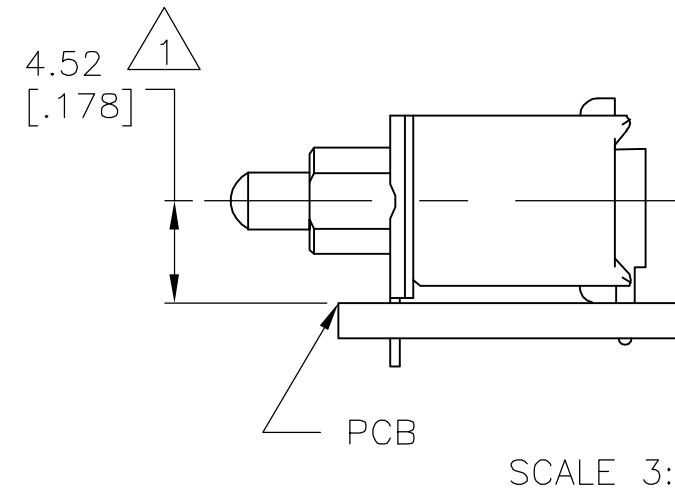
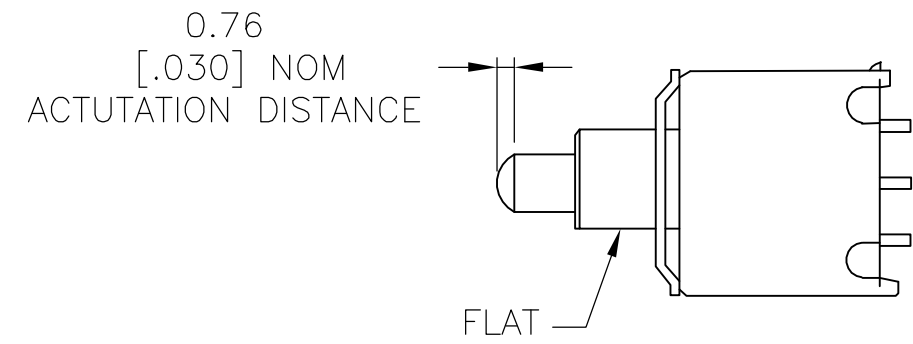


THIS DRAWING IS UNPUBLISHED. RELEASED FOR PUBLICATION
 © COPYRIGHT BY TYCO ELECTRONICS CORPORATION. ALL RIGHTS RESERVED.

LOC		DIST		REVISIONS			
P	LTR	DESCRIPTION	DATE	DWN	APVD		
A		ECO-06-000585	09AUG06	BSV	MZ		



SPECIFICATIONS:

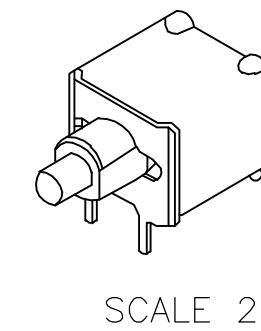
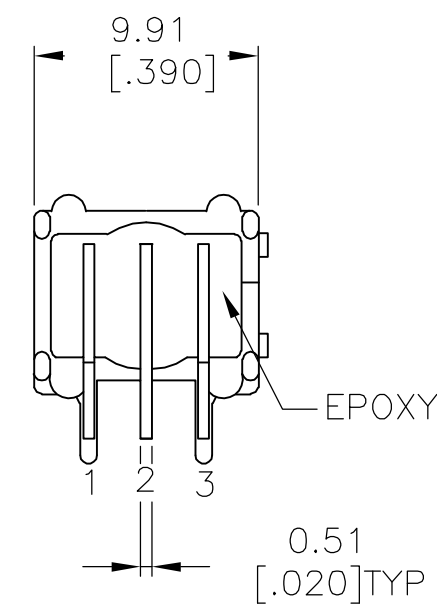
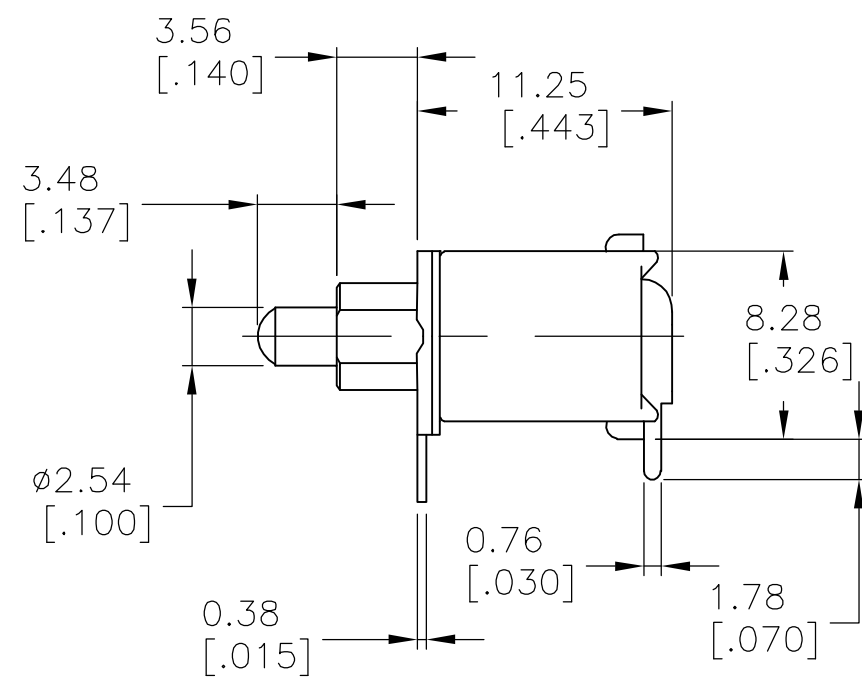
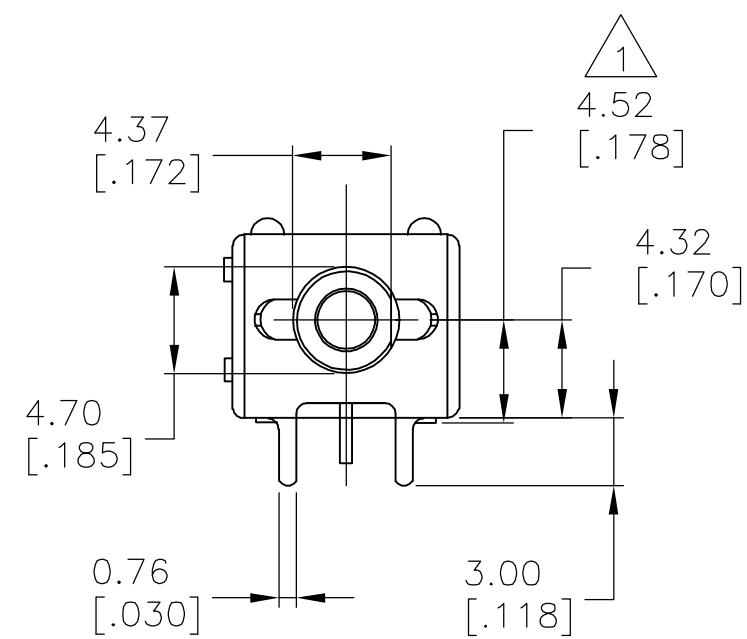
CURRENT RATING-0.4VA MAX., 20V MAX. (AC/DC).

INITIAL CONTACT RESISTANCE-20MILLIOHMS MAX.
@100mV & 1mA.

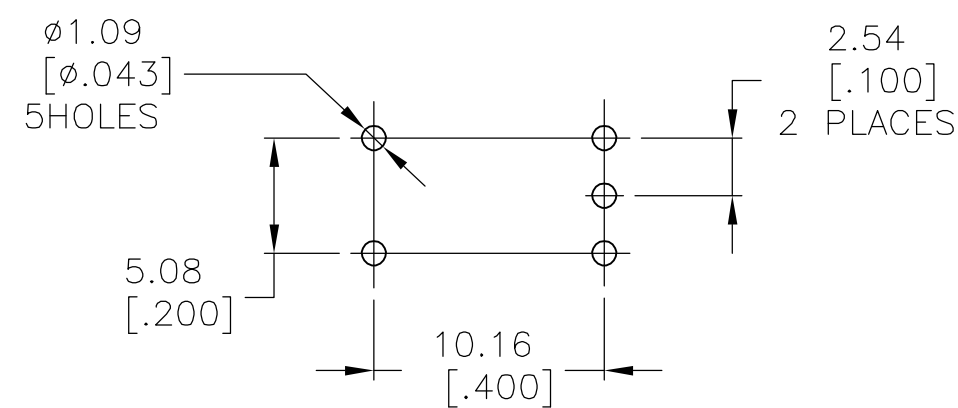
VOLTAGE WITHSTANDING-1000VAC BETWEEN
TREMINALS 1 & CASE GROUND FOR 1 MINUTE.

NOTES

△ ACTUAL DISTANCE OF CL FROM PCB WHEN MOUNTED.



(*)	BUTTON COLORS AVAILABLE
(0)	BLACK
(2)	RED
(6)	BLUE



PCB HOLE LAYOUT
SCALE 5:1

NO CENTER TERMINAL ON "C" FUNCTION SWITCH

TPB11FG-RA-ES**	2-1	2-3(MOM)
TPB11CGRA-ES**	OFF	3-1(MOM)

SWITCH MODEL	FLAT	FLAT

TERMINAL CONNECTED WITH BUTTON
IN POSITION SHOWN.

NOTE:TERMINAL DESIGNATION NUMBERS
ARE FOR REFERENCE ONLY AND DO
NOT APPEAR ON SWITCHES.

THIS DRAWING IS A CONTROLLED DOCUMENT.		DWN V.J.NARTINI 05DEC80	tyco Tyco Electronics Corporation	
DIMENSIONS: mm [INCHES]		CHK R.D 08DEC80	Harrisburg, Pa 17105-3608	
TOLERANCES UNLESS OTHERWISE SPECIFIED:		APVD -	NAME PUSHBUTTON SWITCH (TPB11 *G-RA-ES*)	
0 PLC ± -		PRODUCT SPEC -	SIZE A2	CAGE CODE 00779
1 PLC ± -		APPLICATION SPEC -	DRAWING NO C=6-1437571-2	
2 PLC ± -		WEIGHT -	RESTRICTED TO -	
3 PLC ± .01		CUSTOMER DRAWING	SCALE 3:1	SHEET 1 OF 1
4 PLC ± -			REV A	
ANGLES ± 1°				
FINISH -				

6-1437571-2