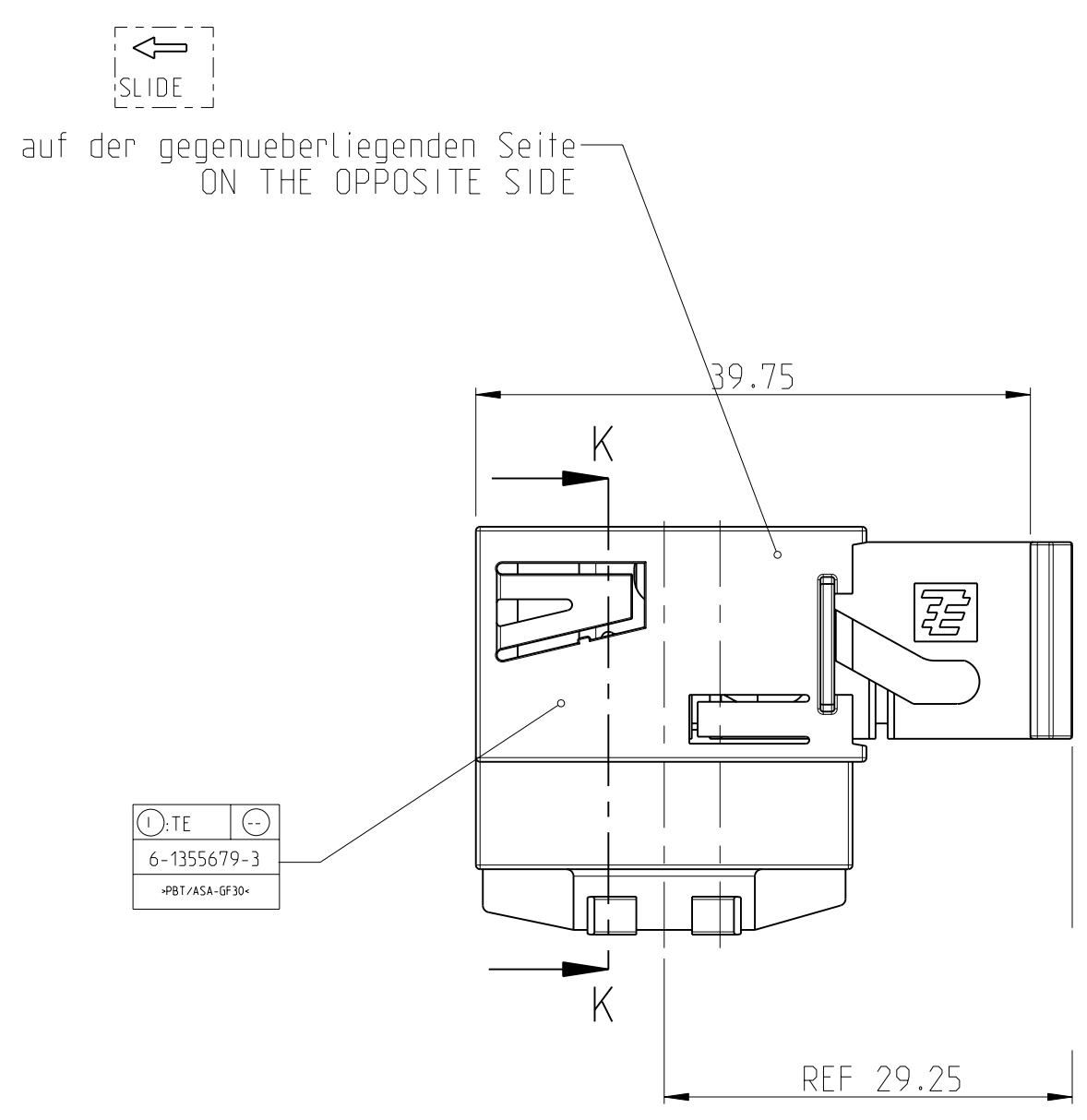
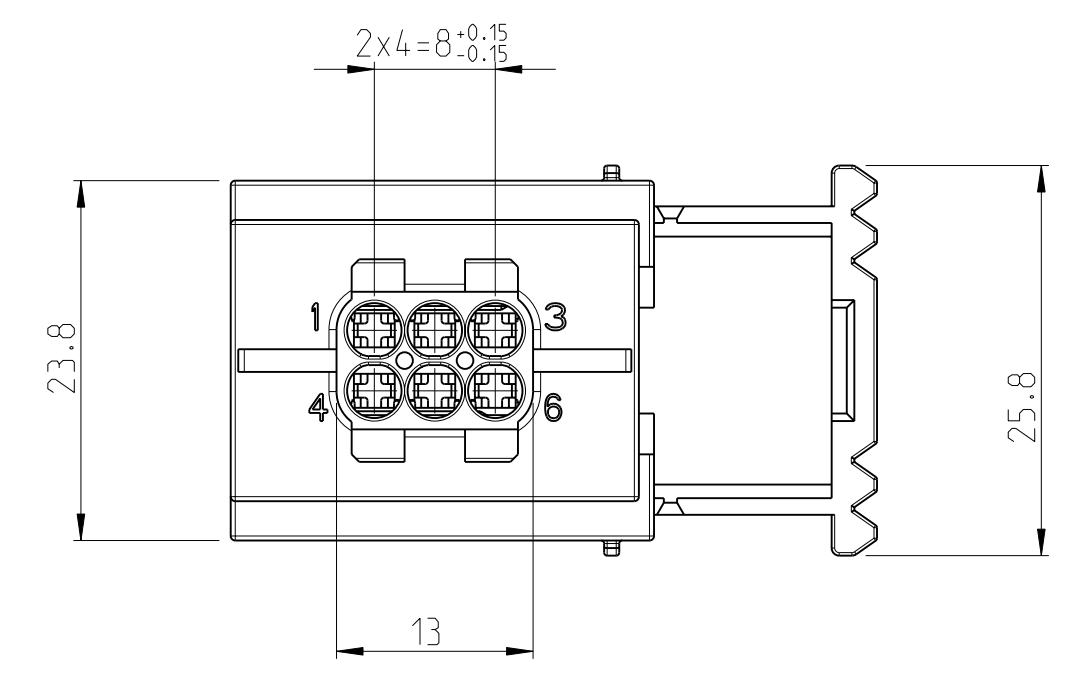
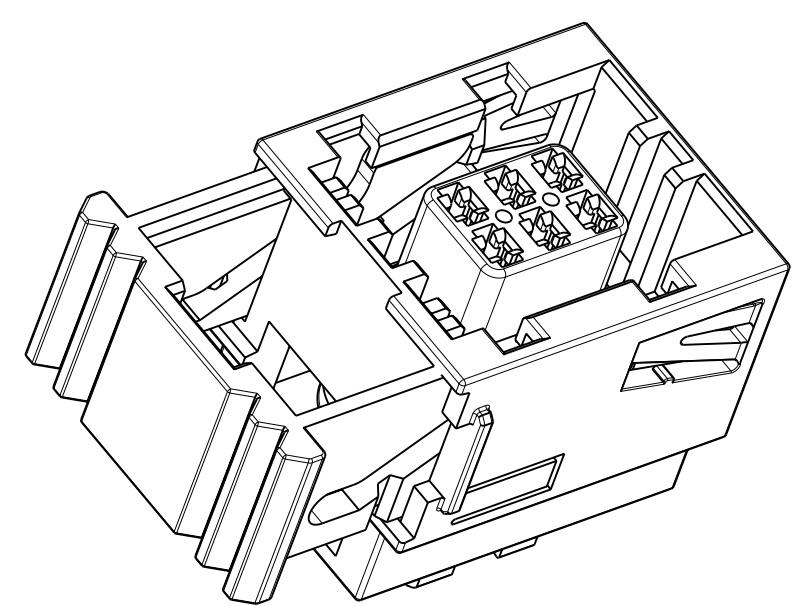
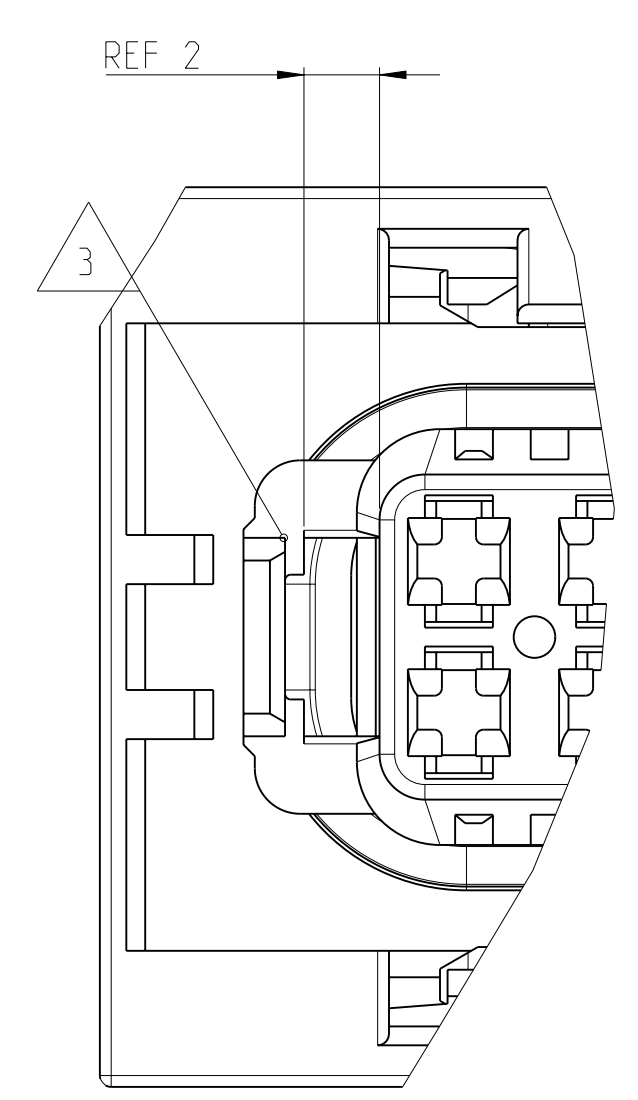
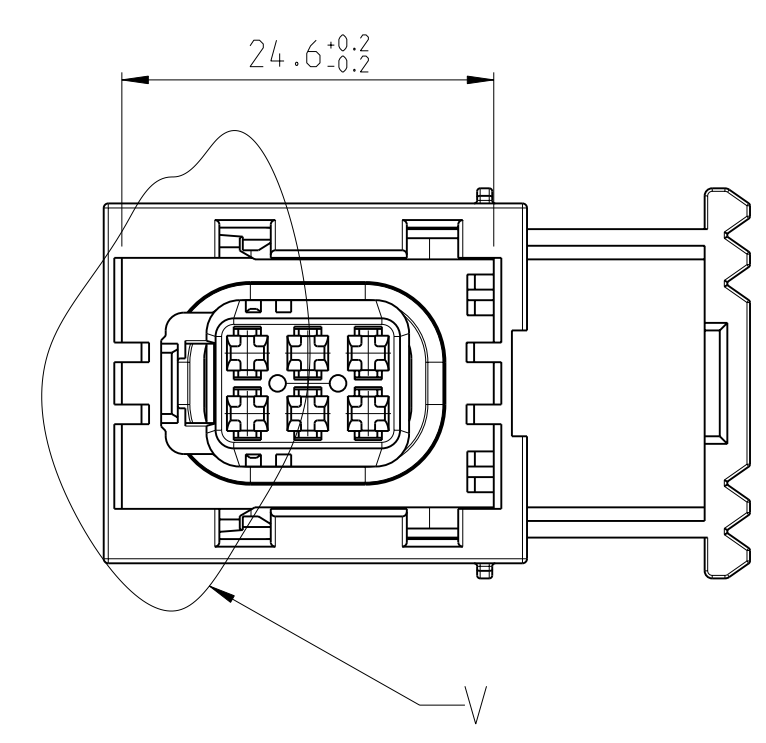
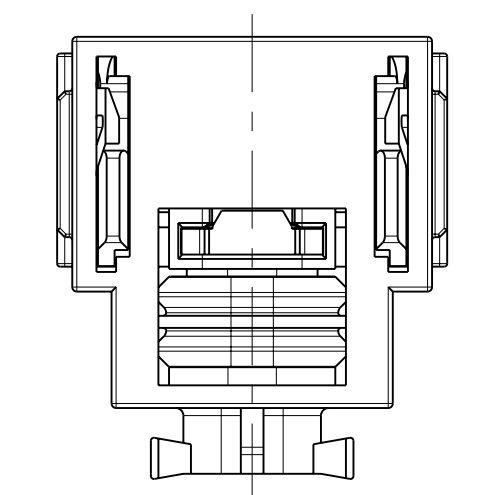
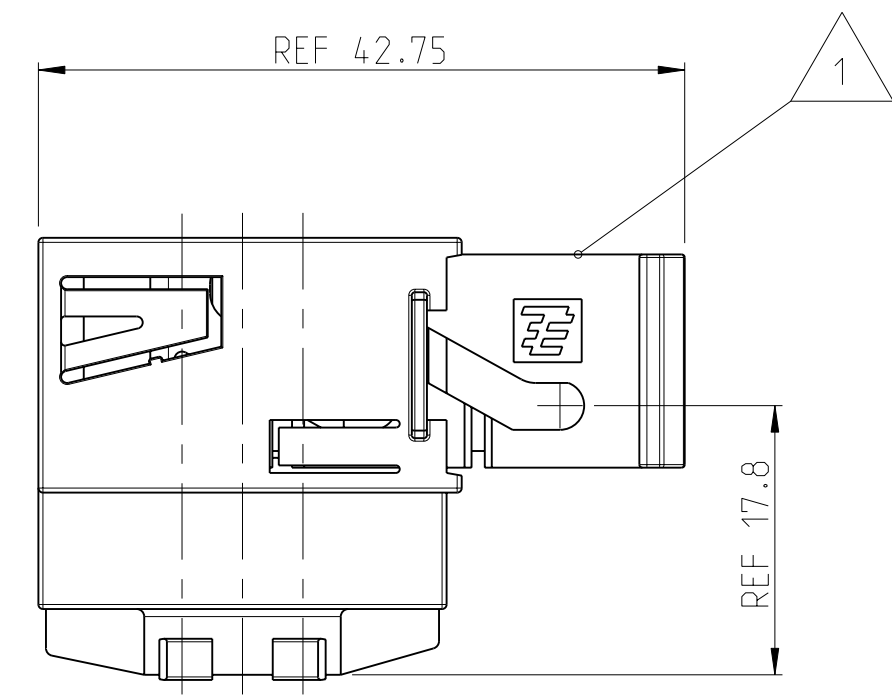
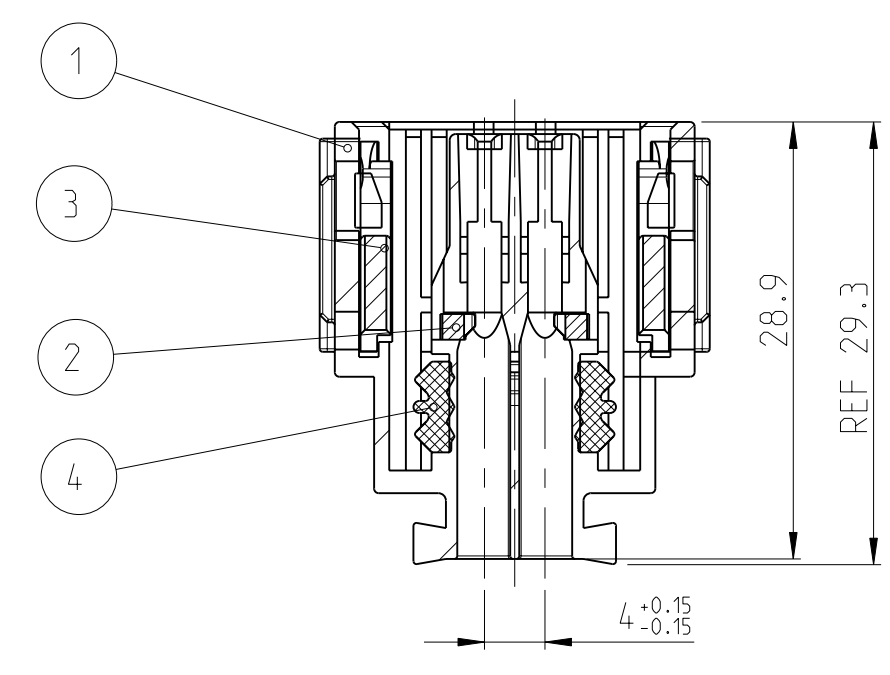


LOC		DIST		REVISIONS			
A	1	P	LTB	DESCRIPTION	DATE	DWN	APVD
		B		New Drawing	30AUG2010	-	-



Schnitt K-K  
SECTION



Kodierung F1 wie gezeichnet  
 CODING F1 AS SHOWN  
 schwarz / BLACK

Bemerkungen  
 NOTES

- 1 Anlieferungszustand Schieber offen  
 DELIVERING SLIDE IN PRELOCKED OPEN POSITION
- 2 Anschlußbauteil siehe Spezifikation 114-18339  
 MATING PART SEE SPEC. 114-18339
- 3 Anlieferungszustand zweite Kontaktsicherung offen  
 SECONDARY LOCK IN OPEN POSITION FOR DELIVERY

ORDER-NO.	REV. ASSY.	PCS.	POS.	NAME SINGLE PART	MATERIAL	SURFACE COLOUR
6-1355683-3	B	1	4	SEALING FOR 6 POS. MT3 HSG.	SILICON	ORANGE
		1	3	SLIDE FOR 6 POS. MT3 HSG.	PBT-GF15	RED
		1	2	RETAINER FOR 6 POS. MT3 HSG.	PBT-GF15	GREY
		1	1	MT3-REC.-HOUSING, 6 POS.. COD F1	PBT/ASA-GF30	BLACK

DIMENSIONS: mm		TOLERANCES UNLESS OTHERWISE SPECIFIED:		DWN: F. Ullrich 30AUG2010		Csk: R. Hecker 07SEP2010		APVD: -		NAME: MT3-REC. HOUSING, 6 POS.	
9 PLC ±0.3		1 PLC ±0.3		PRODUCT SPEC: 108-18664		APPLICATION SPEC: 114-18308		WEIGHT: -		SIZE: A1 00779	
MATERIAL: -		FINISH: -		CUSTOMER DRAW ING		SCALE: 2:1		SHEET: 1 OF 1		REV: B	