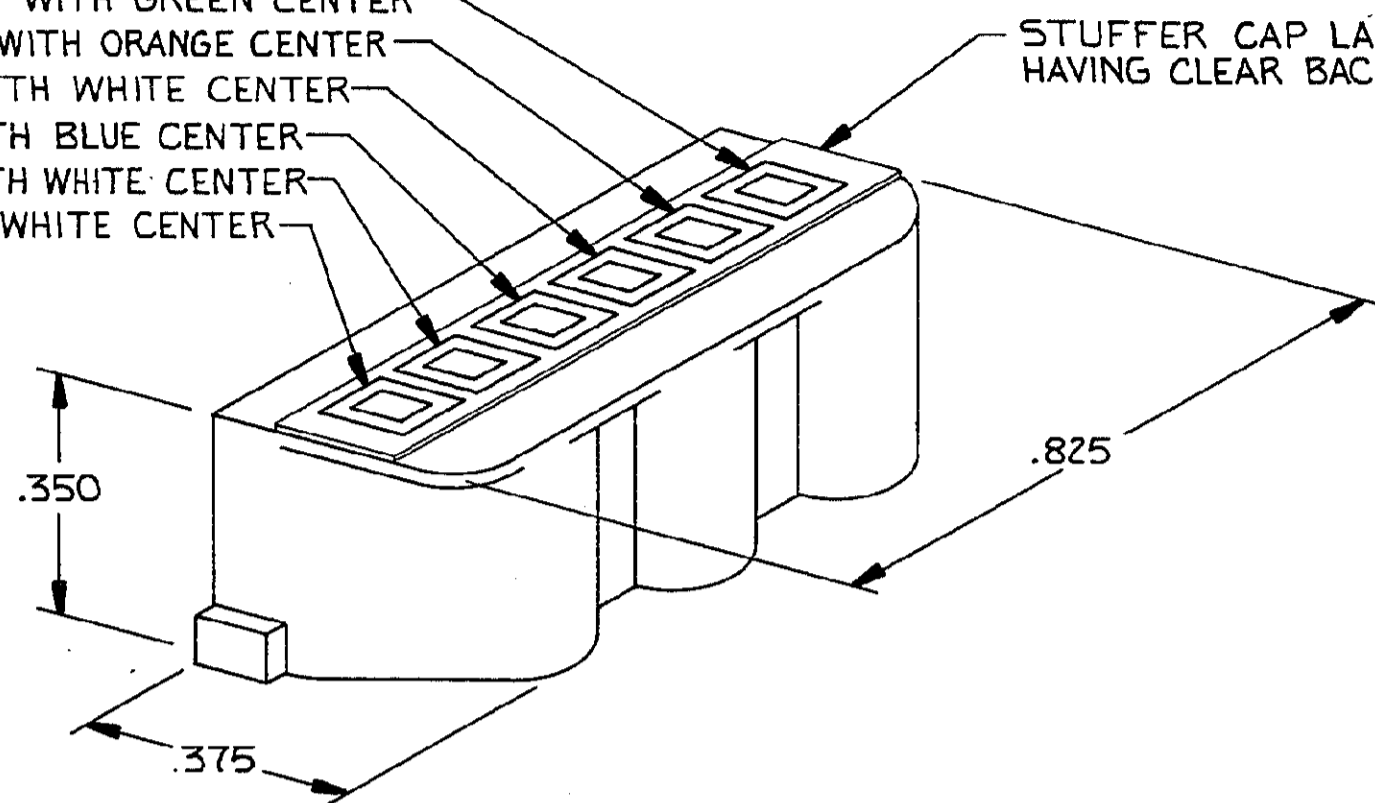


THIS DRAWING IS UNPUBLISHED. RELEASED FOR PUBLICATION  
 © COPYRIGHT BY

REVISIONS				
P	F	ZONE/LTR	DESCRIPTION	DATE APPROVED
D		D3	REVISED PER ECO-11-005033	2APR11 RK HMR

WHITE WITH GREEN CENTER  
 WHITE WITH ORANGE CENTER  
 BLUE WITH WHITE CENTER  
 WHITE WITH BLUE CENTER  
 ORANGE WITH WHITE CENTER  
 GREEN WITH WHITE CENTER

STUFFER CAP LABEL  
 HAVING CLEAR BACKGROUND



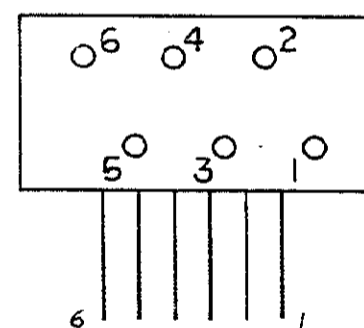
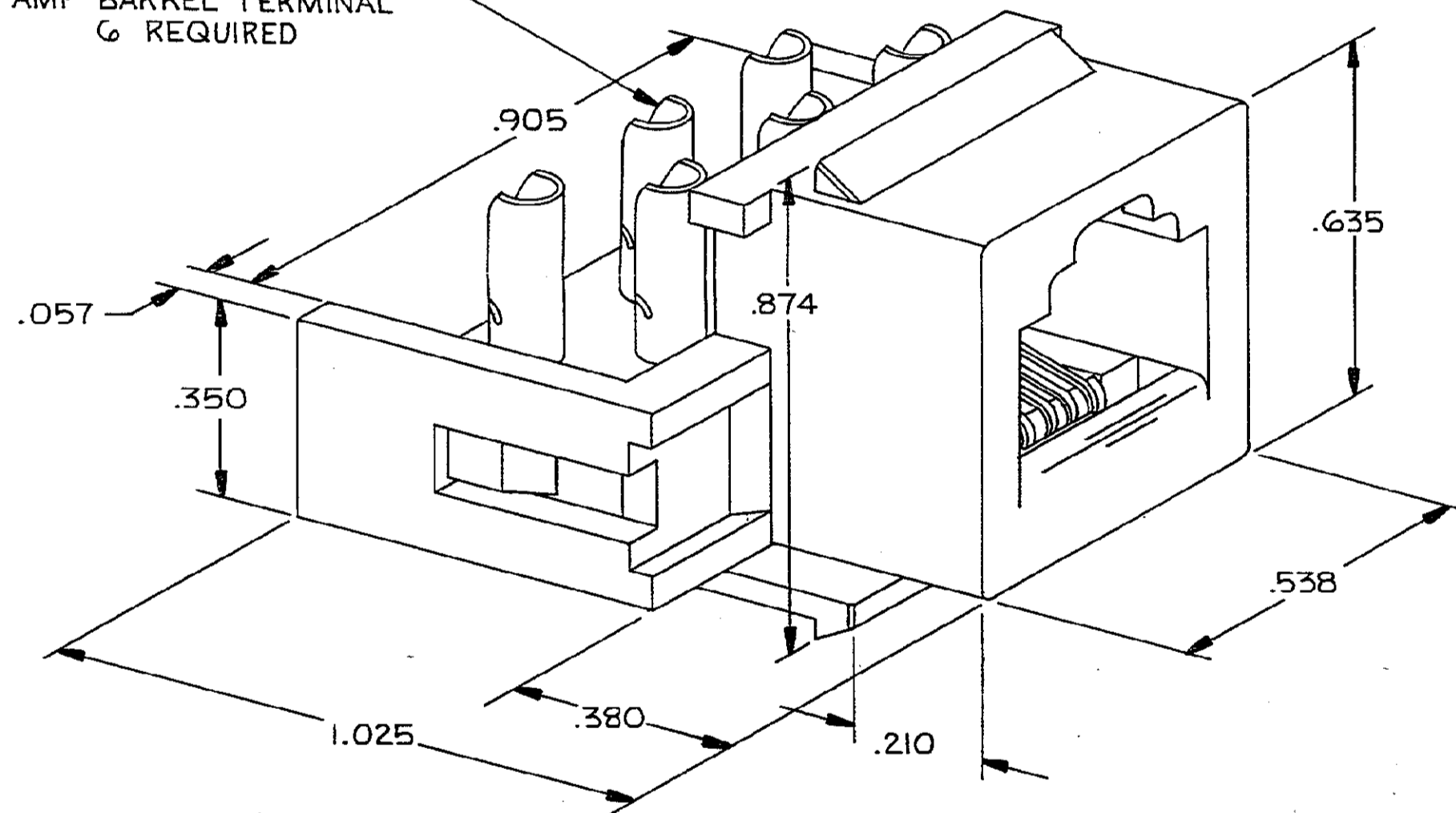
⚠️ BARREL TERMINALS WILL ACCEPT ONE OR TWO WIRES OF THE SAME SIZE PER TERMINAL. MAX WIRE SIZE IS 22 AWG WITH .060 DIAMETER INSULATION. MIN WIRE SIZE IS 26 AWG WITH .037 DIAMETER INSULATION.

2. STUFFER CAP SHIPPED NOT ASSEMBLED.

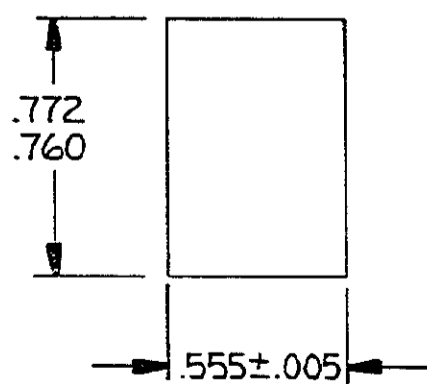
⚠️ MATERIALS: STUFFER CAP-POLYCARBONATE (NATURAL)  
 BARREL TERMINAL-TIN COATED PHOSPHOR BRONZE  
 LABEL ADHESIVE BACKED PESTER  
 CONTACTS-NICKEL PLATED HIGH STRENGTH  
 COPPER ALLOY HAVING SELECTIVE GOLD  
 PLATING IN CONTACT AREA AND  
 SELECTIVE TIN PLATING IN BARREL  
 TERMINAL AREA.  
 HOUSING & KEYSTONE-THERMOPLASTIC  
 (BLACK) 94V-0 RATED

4. MOUNTING PANEL THICKNESS - .062 NOMINAL

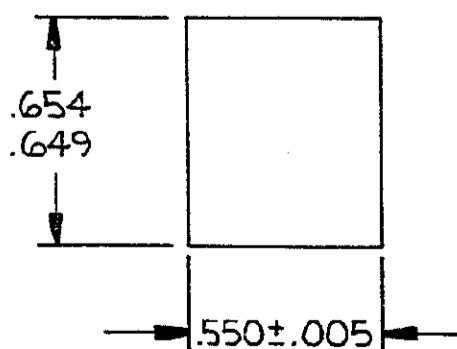
⚠️ .125 DIAMETER  
 AMP BARREL TERMINAL  
 & REQUIRED



WIRING DIAGRAM



BACK PANEL  
 SCALE 2:1



FRONT PANEL  
 SCALE 2:1

553983-1 AS SHOWN

UNLESS OTHERWISE SPECIFIED DIMENSIONS ARE IN INCHES. TOLERANCES ON: DECIMALS ± .010 ANGLES ±		CONTRACT NO		PART NO	
MATERIAL		DR S. Pozabanchuk 3-29-84		TE Connectivity	
FINISH		CHK Stephen Doss 6-5-84		NAME KEYSTONE JACK KIT, 6 POSITION, MARKED	
OTHER APPD		APPD Gene Reed 6-5-84		SIZE C	
		DSGN APPD		FSCM NO 00779	
		OTHER APPD		DRAWING NO 553983	
				REV D3	
				SCALE 4:1	
				SHEET 1 OF 1	

CUSTOMER DRAWING

553983