

THIS DRAWING IS UNPUBLISHED. RELEASED FOR PUBLICATION. ALL RIGHTS RESERVED.

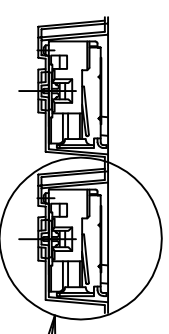
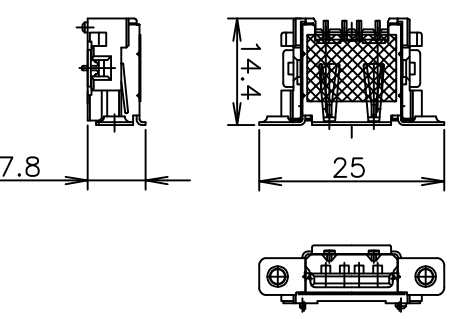
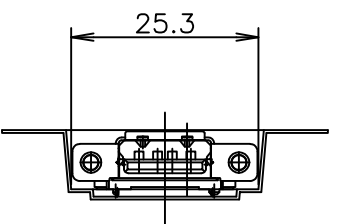
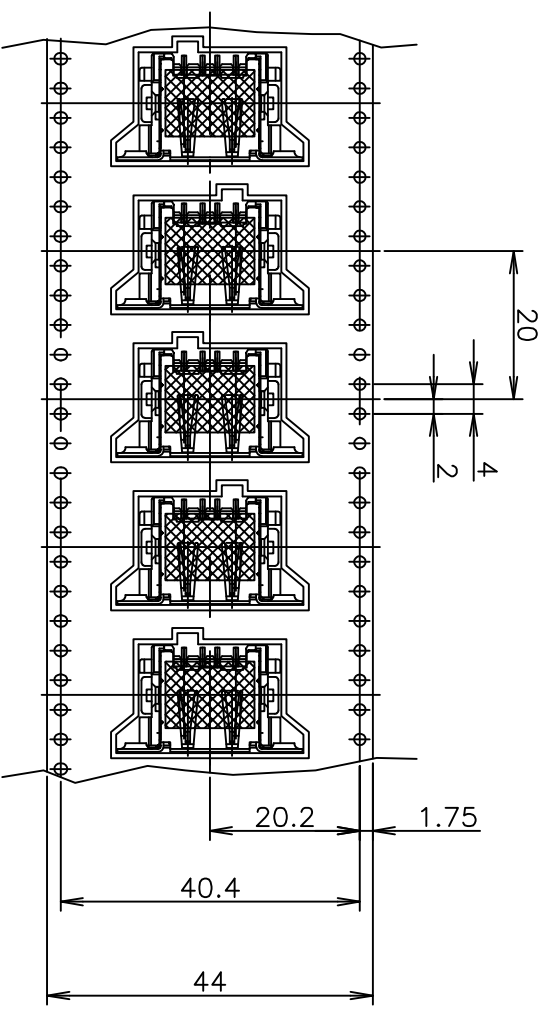
© COPYRIGHT BY TYCO ELECTRONICS CORPORATION.

Loc J DIST -

REVISIONS

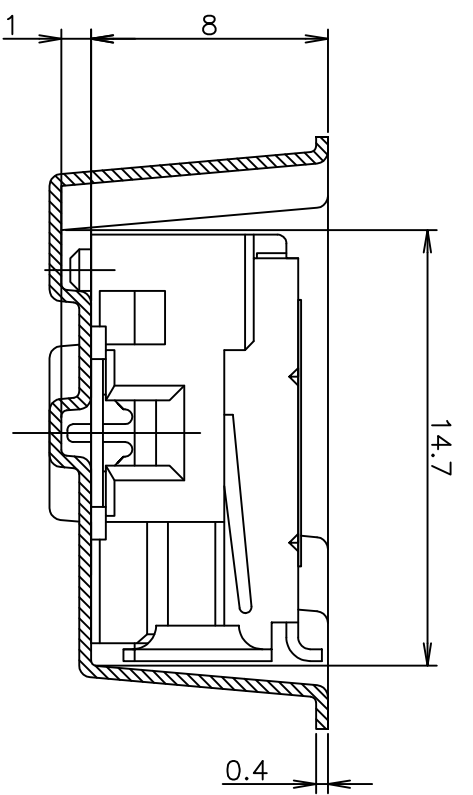
P	LTR	DESCRIPTION	DATE	DWN	APVD
A		RELEASED ECR-07-023898	090CT07	T.Z	S.Y

DIRECTION OFF TOP OF REEL

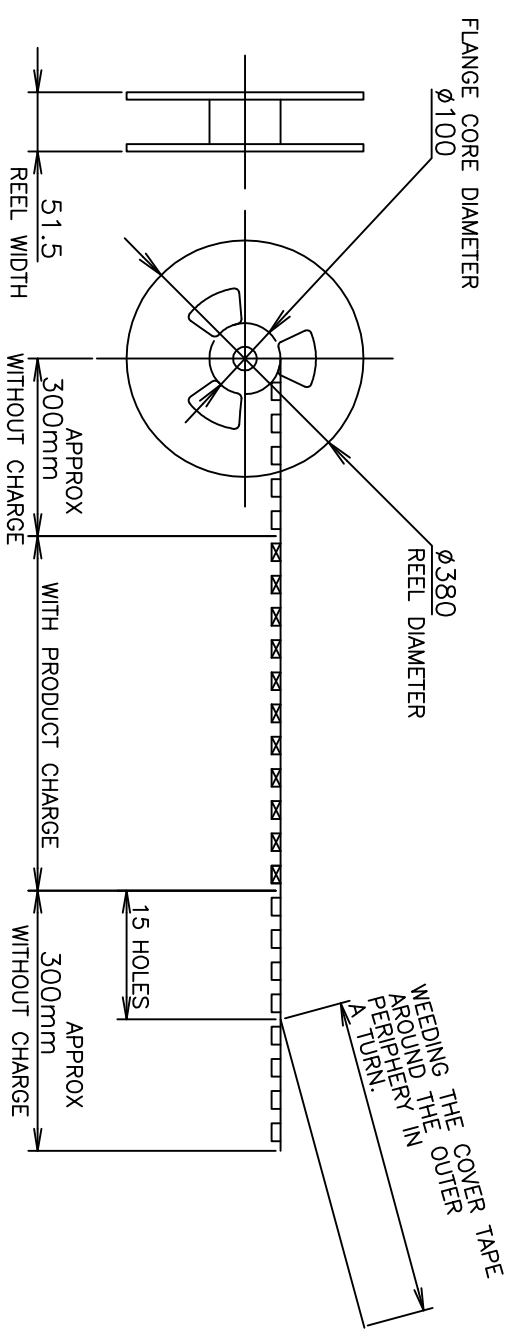


SEE DETAIL A

CONNECTOR DETAIL

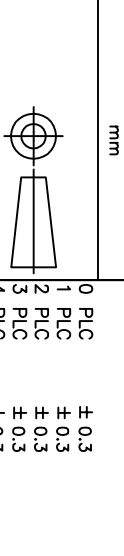


DETAIL A (SCALE 4:1)



THIS DRAWING IS A CONTROLLED DOCUMENT.

DIMENSIONS: mm



TOLERANCES UNLESS OTHERWISE SPECIFIED:

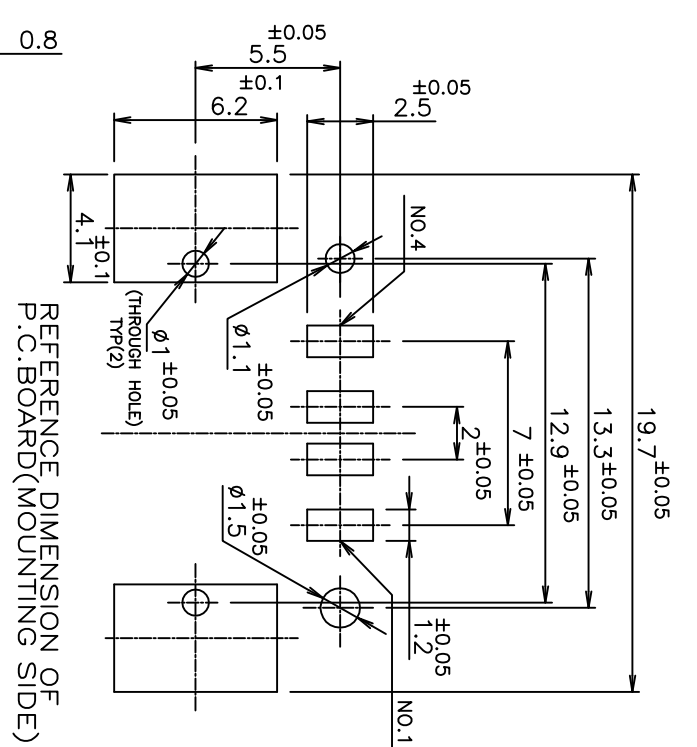
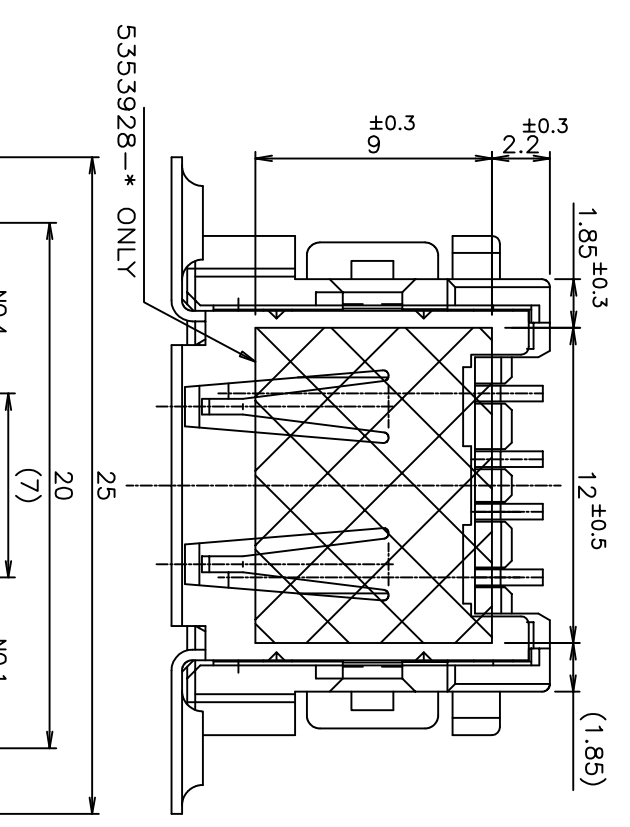
0	PLC	± 0.3
1	PLC	± 0.3
2	PLC	± 0.3
3	PLC	± 0.3
4	PLC ANGLES	± 0.3
		± 5°

HOUSING COLOR	QTY	POS	EMBOSS P/N	PART NO.
BLACK	350	4	1-912070-8	5353928-2
WHITE	350	4	1-912070-8	5353928-1

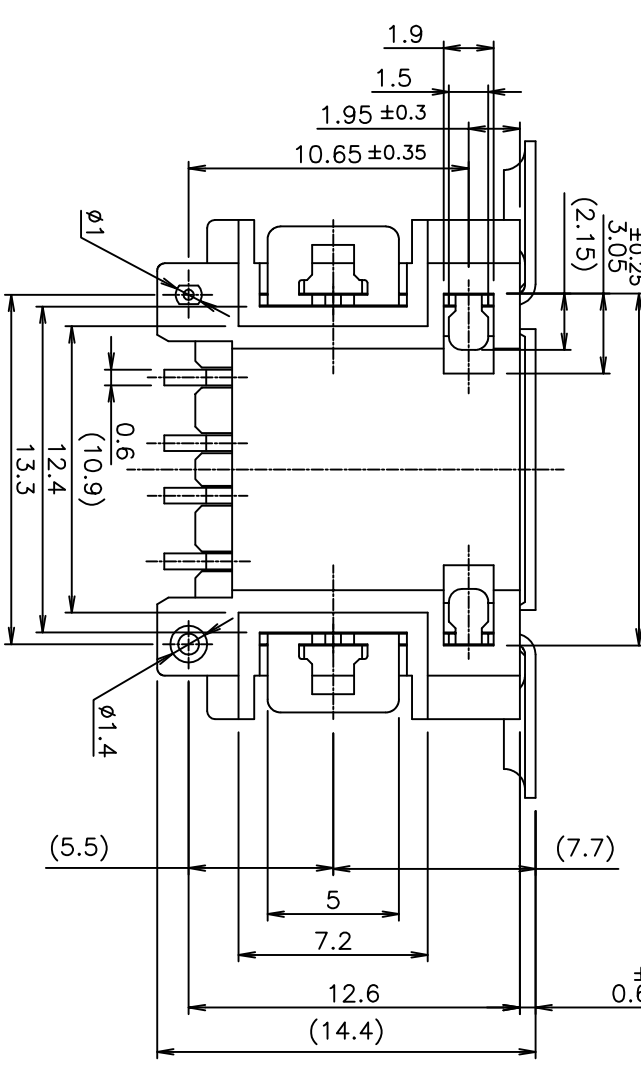
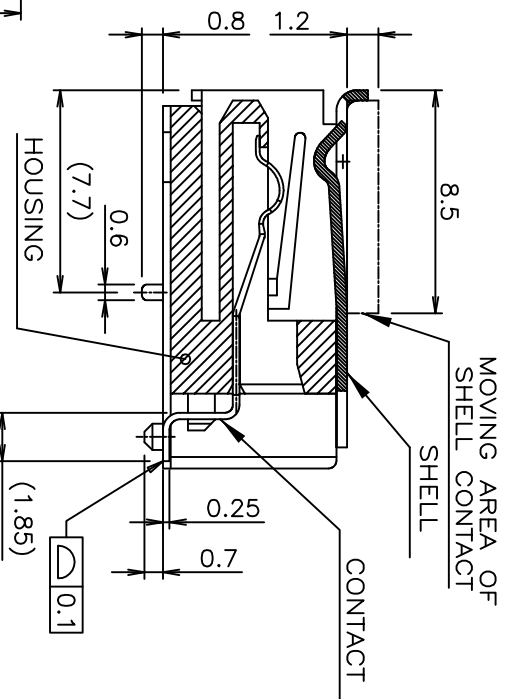
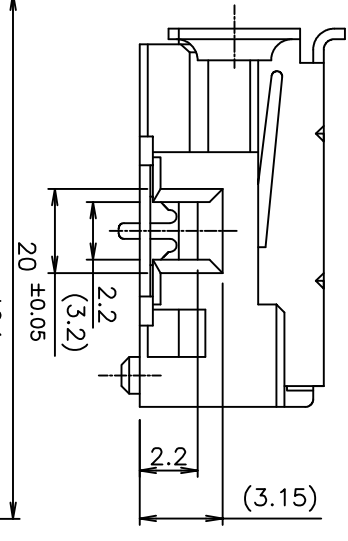
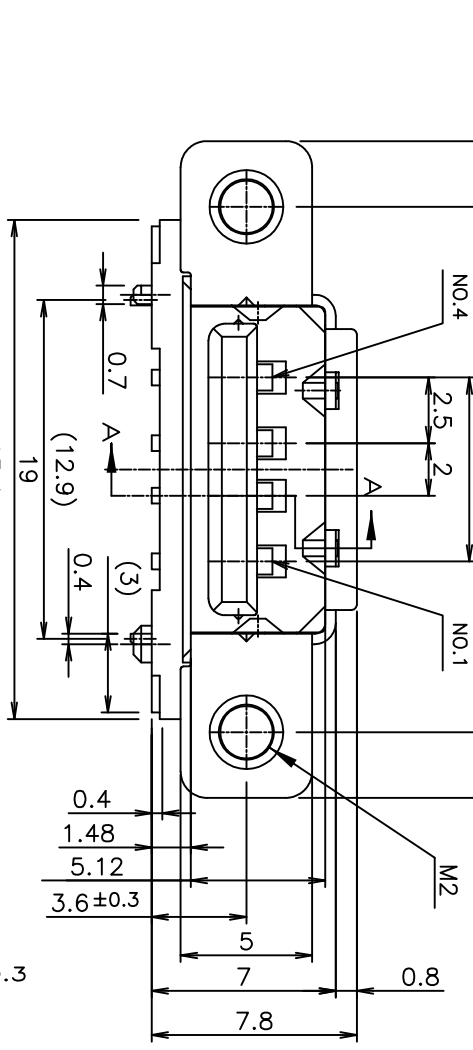
DWN G. ZHANG 24MAR06
 CHK S. YAO 24MAR06
 APVD J. QU 24MAR06
 PRODUCT SPEC
 APPLICATION SPEC
 WEIGHT
 CUSTOMER DRAWING

Tyco Electronics
 Tyco Electronics AMP K.K.
 Kawasaki, Japan

EMBOSS ASSY
 REVERSE TYPE USB CONN. REC.
 WITH COVER TYPE
 SIZE A3
 CAGE CODE 00779
 DRAWING NO. 5353928
 SCALE 1:1
 SHEET 1 OF 2
 REV A

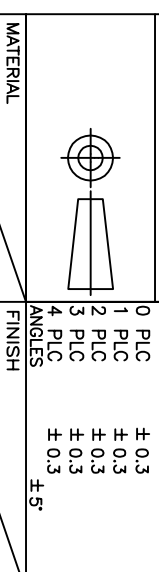


Δ MATERIAL & FINISH
 CONTACT: COPPER ALLOY
 Au PL. ON Pd-Ni PL. AT CONTACT
 AREA OVER Ni PL.
 HOUSING: TIN PL. AT TINE AREA OVER Ni PL.
 THERMO-PLASTICS, UL-94V-0
 SHELL : COPPER ALLOY, TIN PL.



THIS DRAWING IS A CONTROLLED DOCUMENT.

DIMENSIONS:	TOLERANCES UNLESS OTHERWISE SPECIFIED:
0 PLC	± 0.3
1 PLC	± 0.3
2 PLC	± 0.3
3 PLC	± 0.3
4 PLC	± 0.3
ANGLES	± 5°



DMN	24MAR06	DMN	G. ZHANG
CHK	24MAR06	CHK	S. YAO
APVD	24MAR06	APVD	J. QU
PRODUCT SPEC		APPLICATION SPEC	
WEIGHT		CUSTOMER DRAWING	

REVISIONS	DESCRIPTION	DATE	DMN	APVD
J				
P	SEE SHEET 1			

SIZE	A3	CAGE CODE	00779	DRAWING NO	5353928	RESTRICTED TO
SCALE	1:1	SHEET	2	OF	2	REV
			A			

BLACK	WITH TAPE	5353928-2
WHITE	WITH TAPE	5353928-1
HOUSING COLOR	REMARKS	PART NO.

Tyco Electronics	
Tyco Electronics AMP K.K.	
Kawasaki, Japan	
EMBOSS ASSY	
REVERSE TYPE USB CONN. REC.	
WITH COVER TYPE	