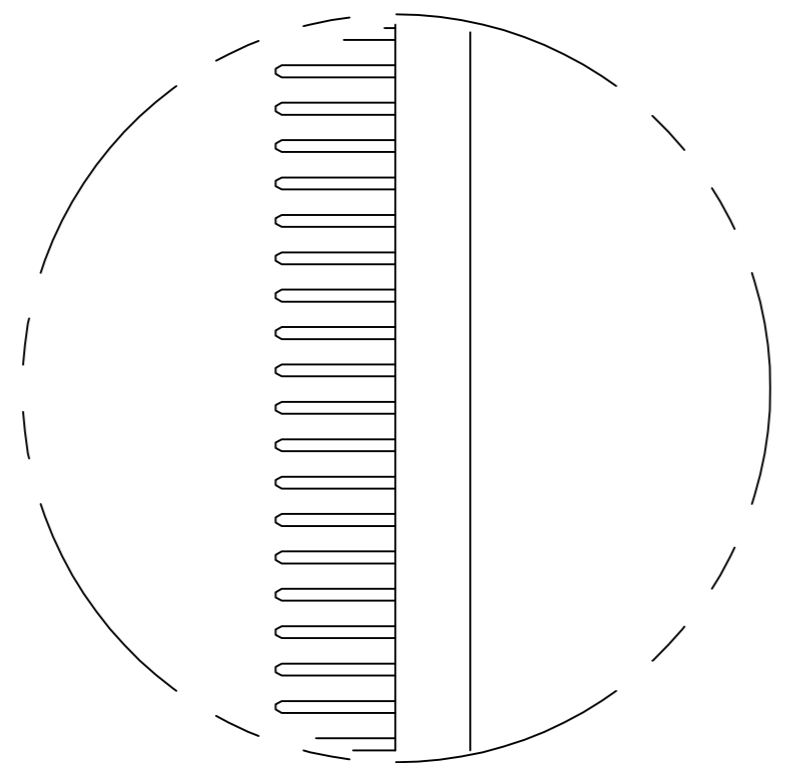
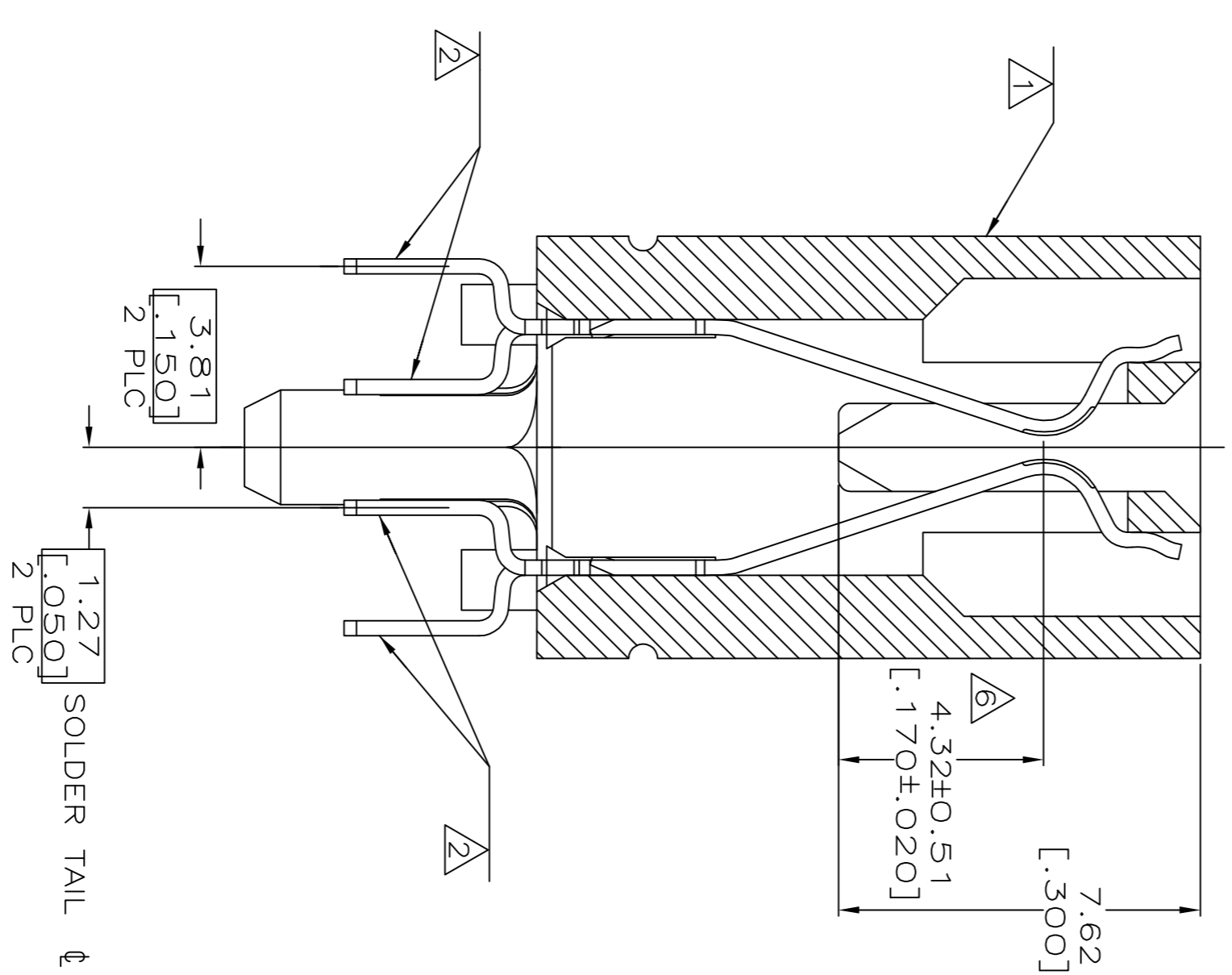


SEE SHEET 2 FOR HOLE PATTERN



DETAIL A



SECTION L-L  
SCALE 8:1

- 1 HOUSING: HIGH TEMPERATURE THERMOPLASTIC.  
COLOR - NATURAL
- 2 CONTACT: PHOSPHOR BRONZE.
- 3 CONTACT FINISH: .001269 [.000050] MIN NICKEL ALL OVER.  
GOLD FLASH OVER NICKEL IN CONTACT AREA.  
.002537 [.000100] MIN TIN OVER NICKEL ON SOLDER TAILS.
- 4 CONTACT FINISH: .001269 [.000050] MIN NICKEL ALL OVER.  
.000375 [.000015] MIN GOLD OVER NICKEL IN CONTACT AREA.  
.002537 [.000100] MIN TIN OVER NICKEL ON SOLDER TAILS.
- 5 CONTACT FINISH: .001269 [.000050] MIN NICKEL ALL OVER.  
.000757 [.000030] MIN GOLD OVER NICKEL IN CONTACT AREA.  
.002537 [.000100] MIN TIN OVER NICKEL ON SOLDER TAILS.
- 6 DISTANCE FROM CONTACT POINT TO BOTTOM OF CARD SLOT.
- 7 TE CONNECTIVITY PART NUMBER, DATE CODE AND CSA LOGO SHOULD BE MARKED ON THE SIDE OF THE HOUSING NEAR THE AMP LOGO.
- 8 CORED OR SOLID SIDE WALLS ARE AT DISCRETION OF TE CONNECTIVITY
- 9 PIN 44~49 AND PIN 104~109 ARE NOT LOADED.

3.56 [1.40]	1-5145154-2
3.18 [1.25]	5145154-8
2.54 [1.00]	5145154-4
2.54 [1.00]	5145154-2
2.54 [1.00]	5145154-1

THIS DRAWING IS A CONTROLLED DOCUMENT.

DATE: 20 MAR 04

REV: 04

FRONT VIEW

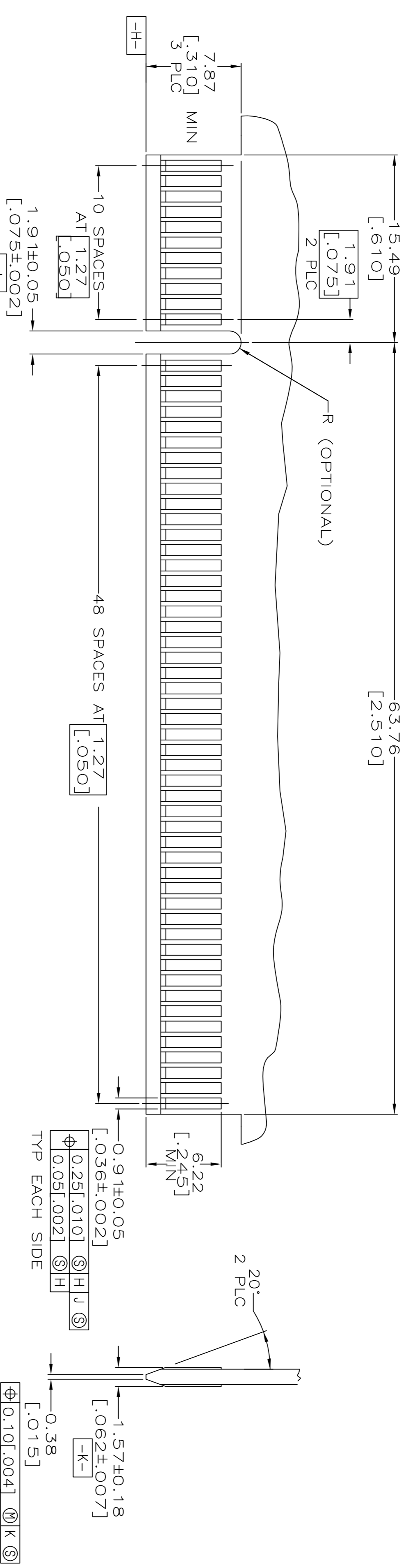
CONNECTOR ASSEMBLY,  
60 DUAL POSITION,  
1.27 [0.050] SERIES, CARD EDGE

SIZE: 100779

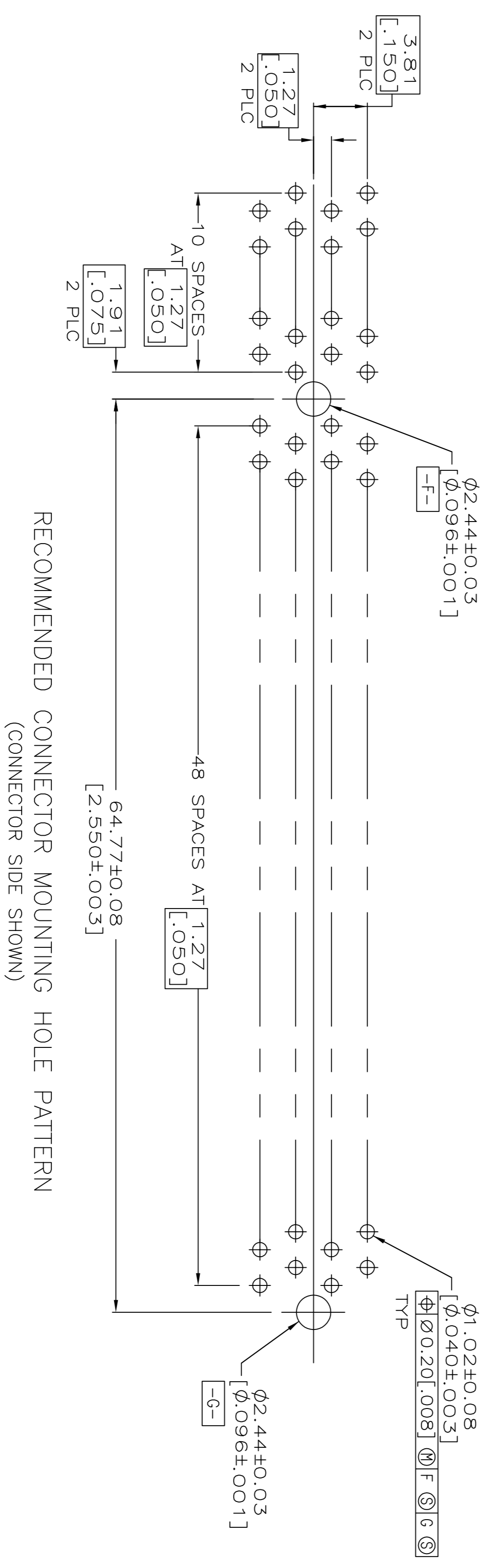
SCALE: 4:1

SHEET: 1 OF 4

REV: D



RECOMMENDED MATING BOARD EDGE CONFIGURATION



RECOMMENDED CONNECTOR MOUNTING HOLE PATTERN  
 (CONNECTOR SIDE SHOWN)

THIS DRAWING IS A CONTROLLED DOCUMENT.

REV	DATE	DESCRIPTION
01	20 MAR 04	INITIAL FRAGMENT
02	20 MAR 04	FRAGMENT

DIMENSIONS	mm (INCHES)	0 PLG	± .4
CHANGES	mm (INCHES)	1 PLG	± .25 (.01)
FINISHES	mm (INCHES)	2 PLG	± .25 (.01)
ANGLES	mm (INCHES)	4 PLG	± .25 (.01)
			± .25 (.01)

CONNECTOR ASSEMBLY,  
 60 DUAL POSITION,  
 1.27 [.050] SERIES, CARD EDGE

SIZE CODE DRAWING NO  
 A1 00779 5145154

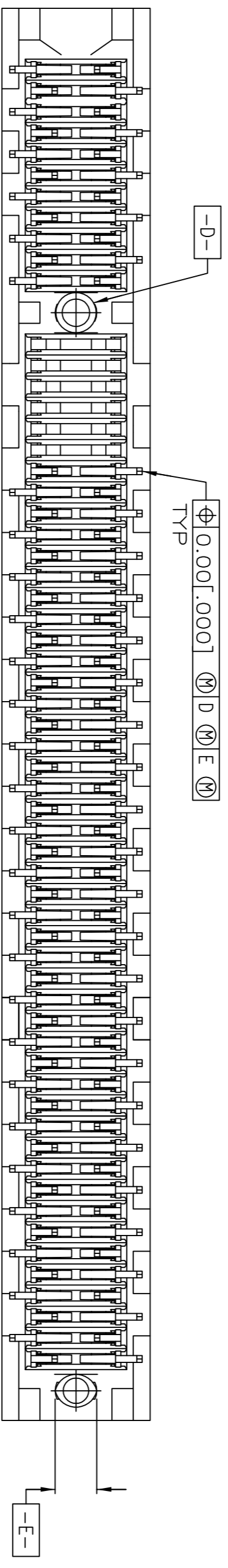
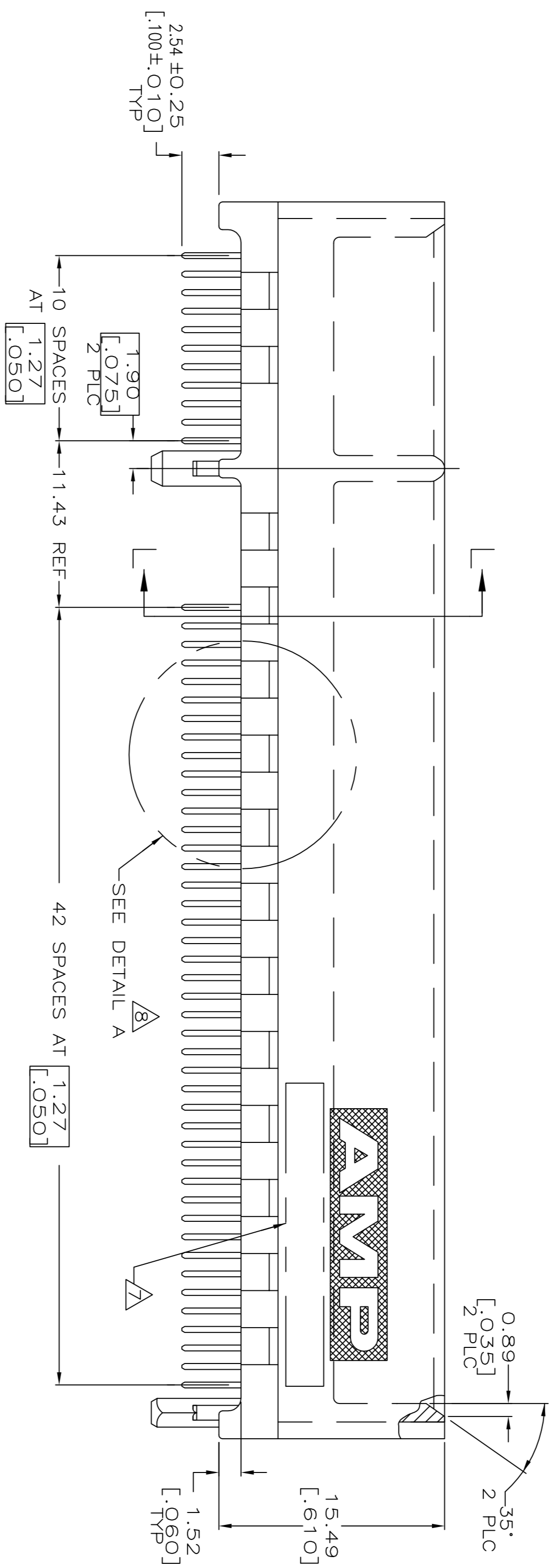
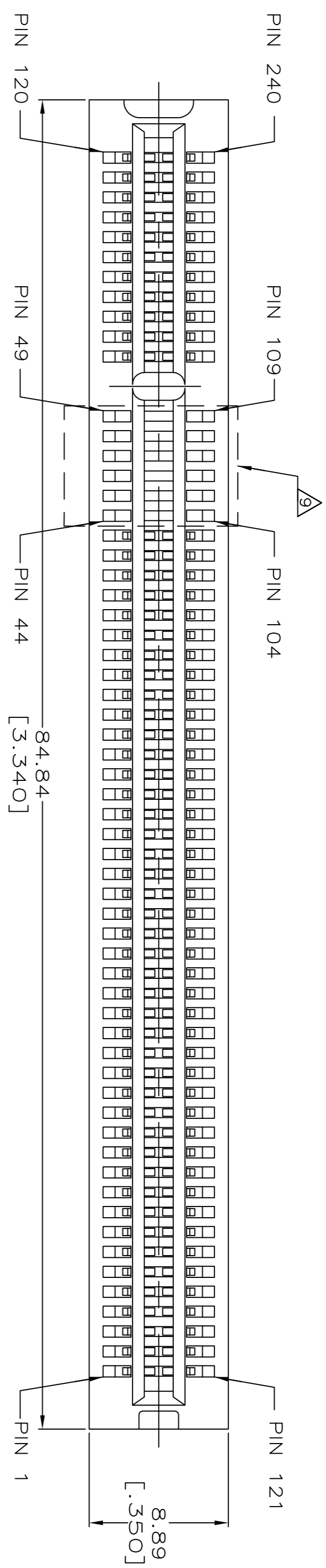
CUSTOMER DRAWING

SCALE 4:1 SHEET 2 OF 4 REV C1

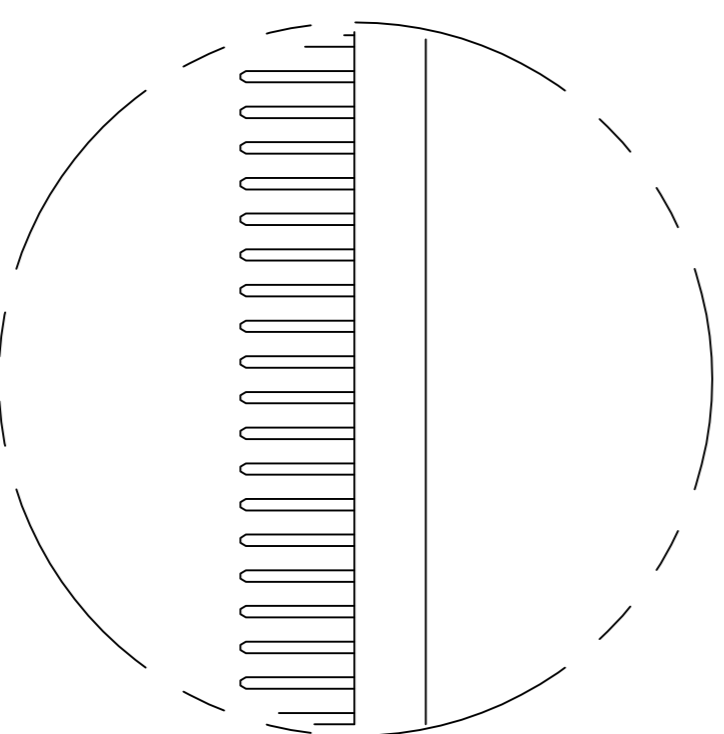


TE Connectivity

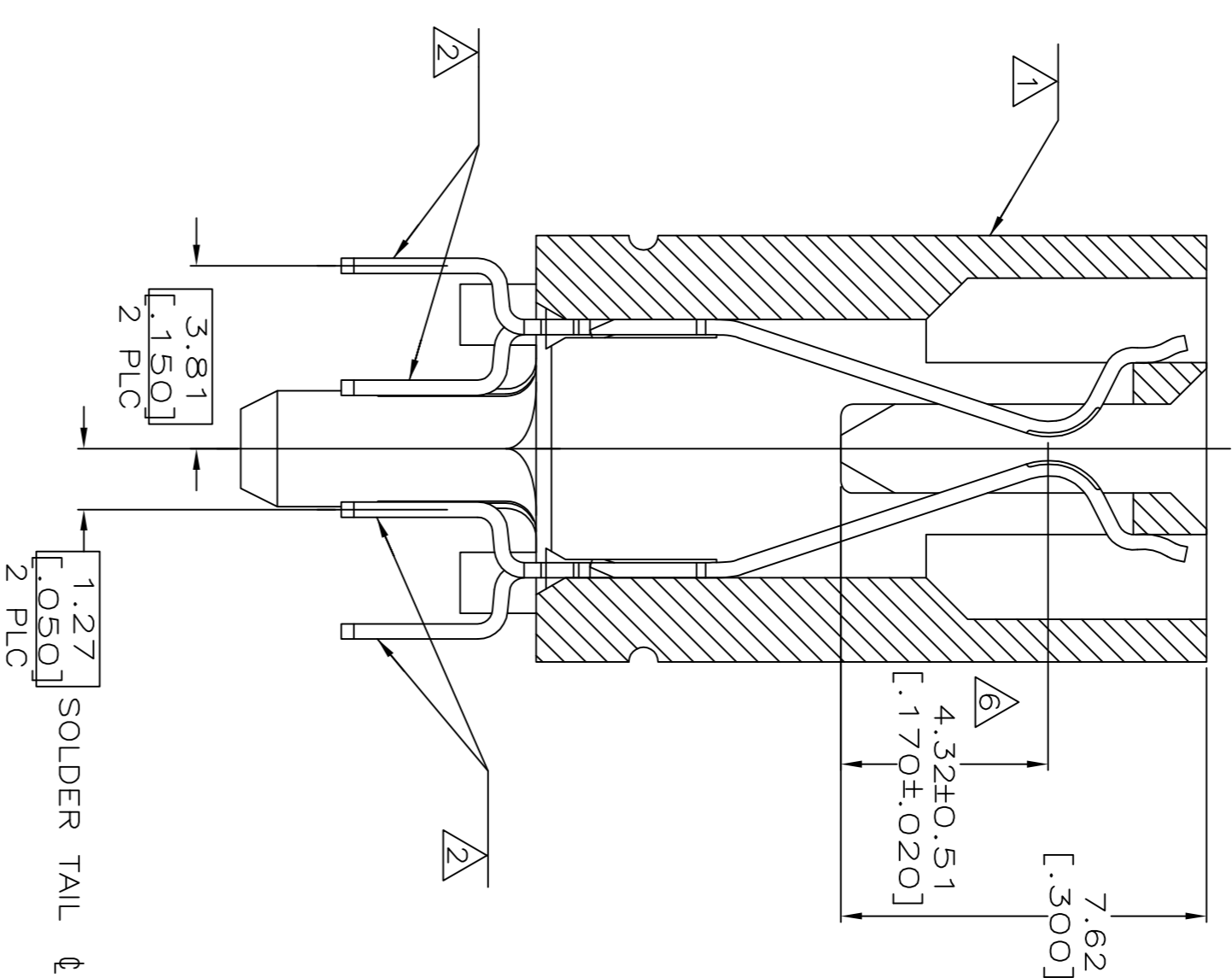
REV	DATE	BY	CHK	APP	DESCRIPTION
AA	00				SEE SHEET 1



SEE SHEET 4 FOR HOLE PATTERN



DETAIL A



SECTION L-L  
SCALE 8:1

SELECT LOADED TYPE AS SHOWN.

DIMENSIONS		FINISH		MATERIAL	
mm (INCHES)	tolerance	mm (INCHES)	tolerance	mm (INCHES)	tolerance
0	R/C	0	R/C	0	R/C
1	R/C	1	R/C	1	R/C
2	R/C	2	R/C	2	R/C
4	R/C	4	R/C	4	R/C
ANGLES		ANGLES		ANGLES	

REV	DATE	BY	CHK	APP	DESCRIPTION
AA	00				SEE SHEET 1

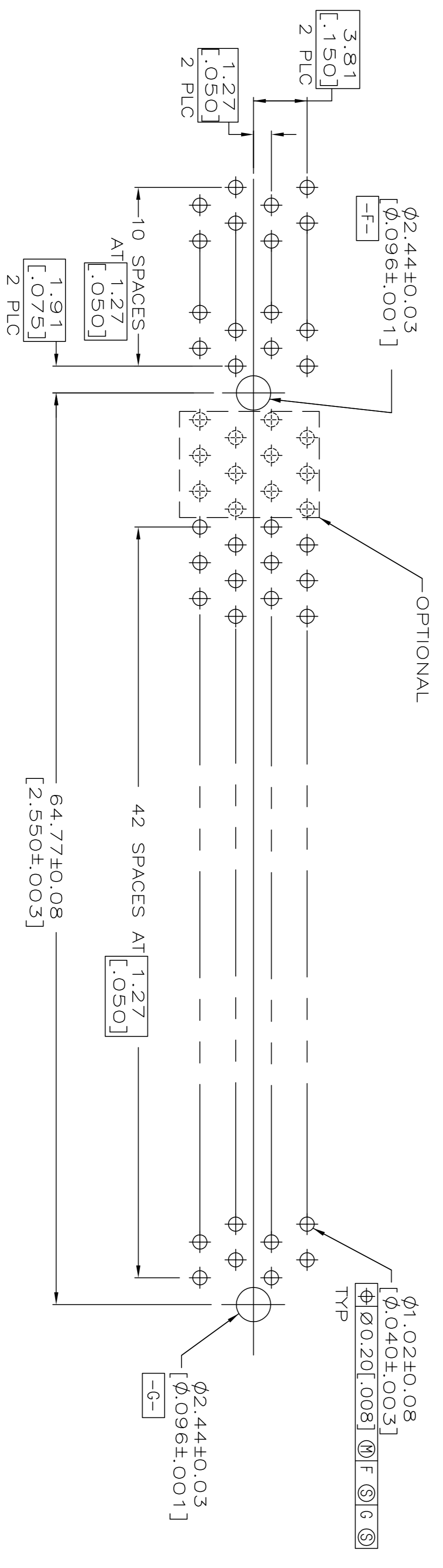
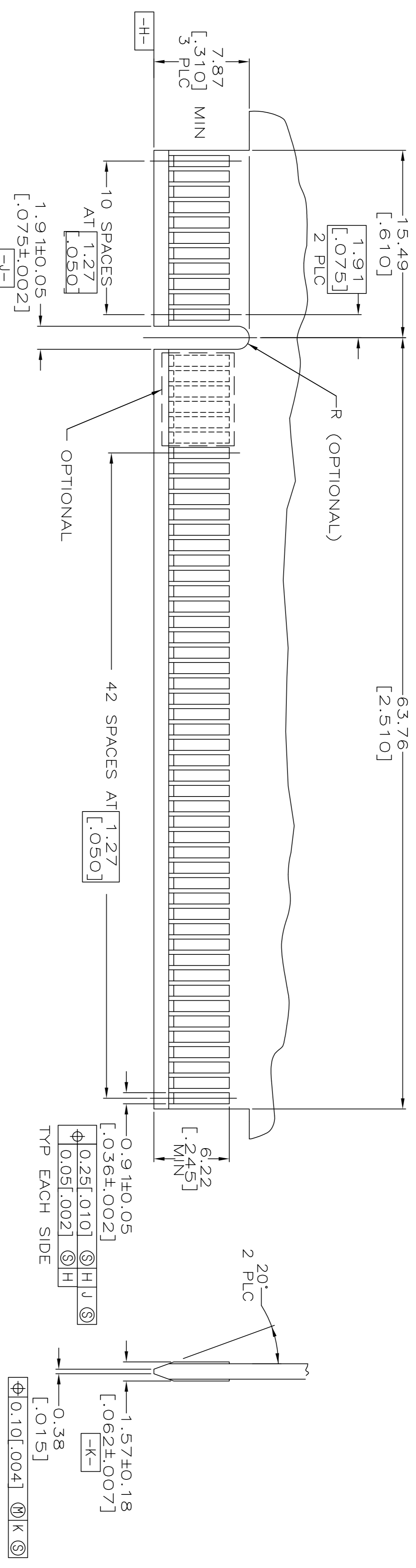
STE TE Connectivity

CONNECTOR ASSEMBLY,  
60 DUAL POSITION,  
1.27 [.050] SERIES, CARD EDGE

SIZE CODE DRAWING NO. A1 00779 5145154

CUSTOMER DRAWING SCALE 4:1 SHEET 3 OF 4 REV D

REV	DATE	BY	APP'D
1			



THIS DRAWING IS A CONTROLLED DOCUMENT. © STE TE Connectivity

DATE	REV	DESCRIPTION
20 MAR 04	01	FRONT VIEW
20 MAR 04	02	REVISED SPEC
20 MAR 04	03	APPROVAL SIZE
20 MAR 04	04	WEIGHT

CONNECTOR ASSEMBLY, 60 DUAL POSITION, 1.27 [0.050] SERIES, CARD EDGE

SIZE: A1 00779 5145154

SCALE: 4:1 SHEET: 4 OF 4 REV: D