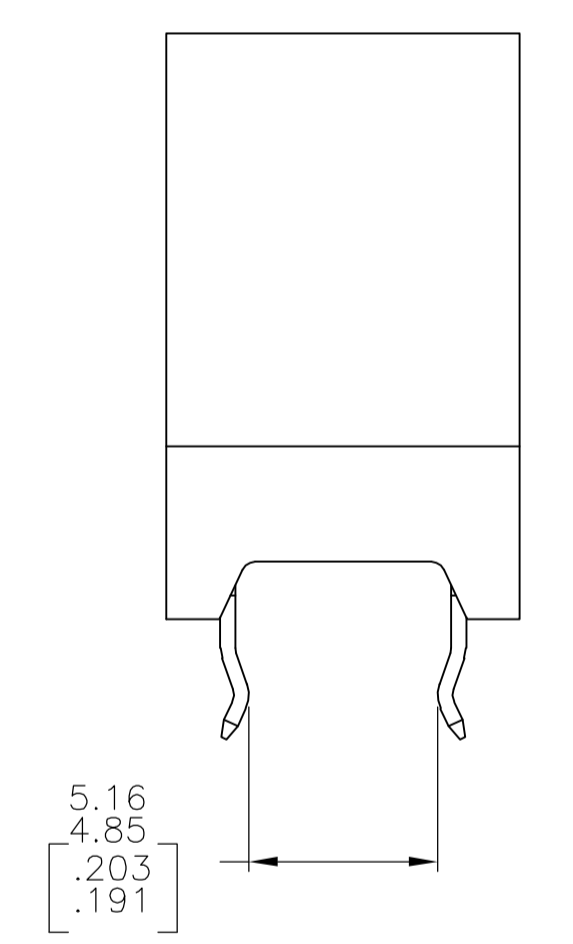
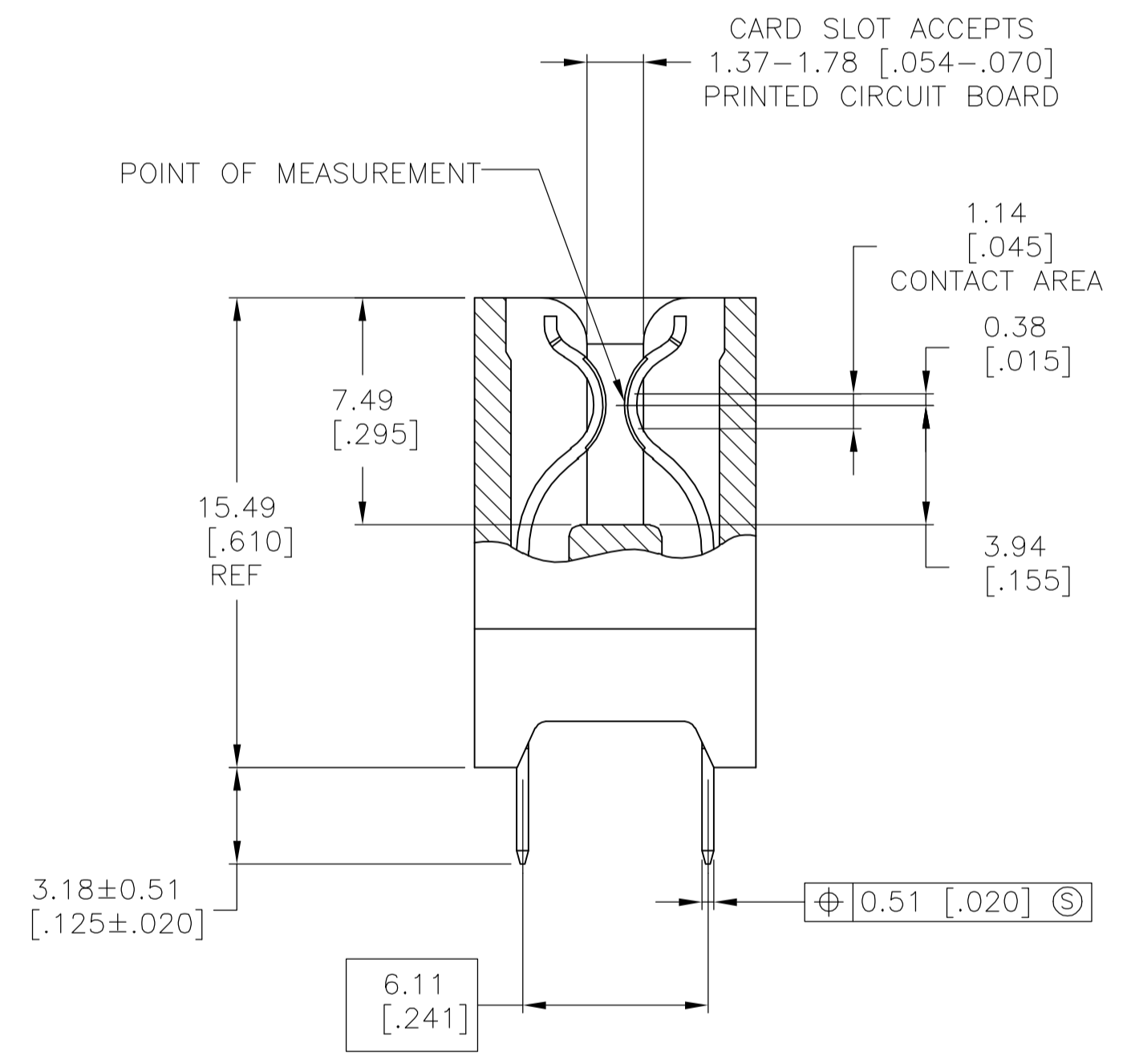
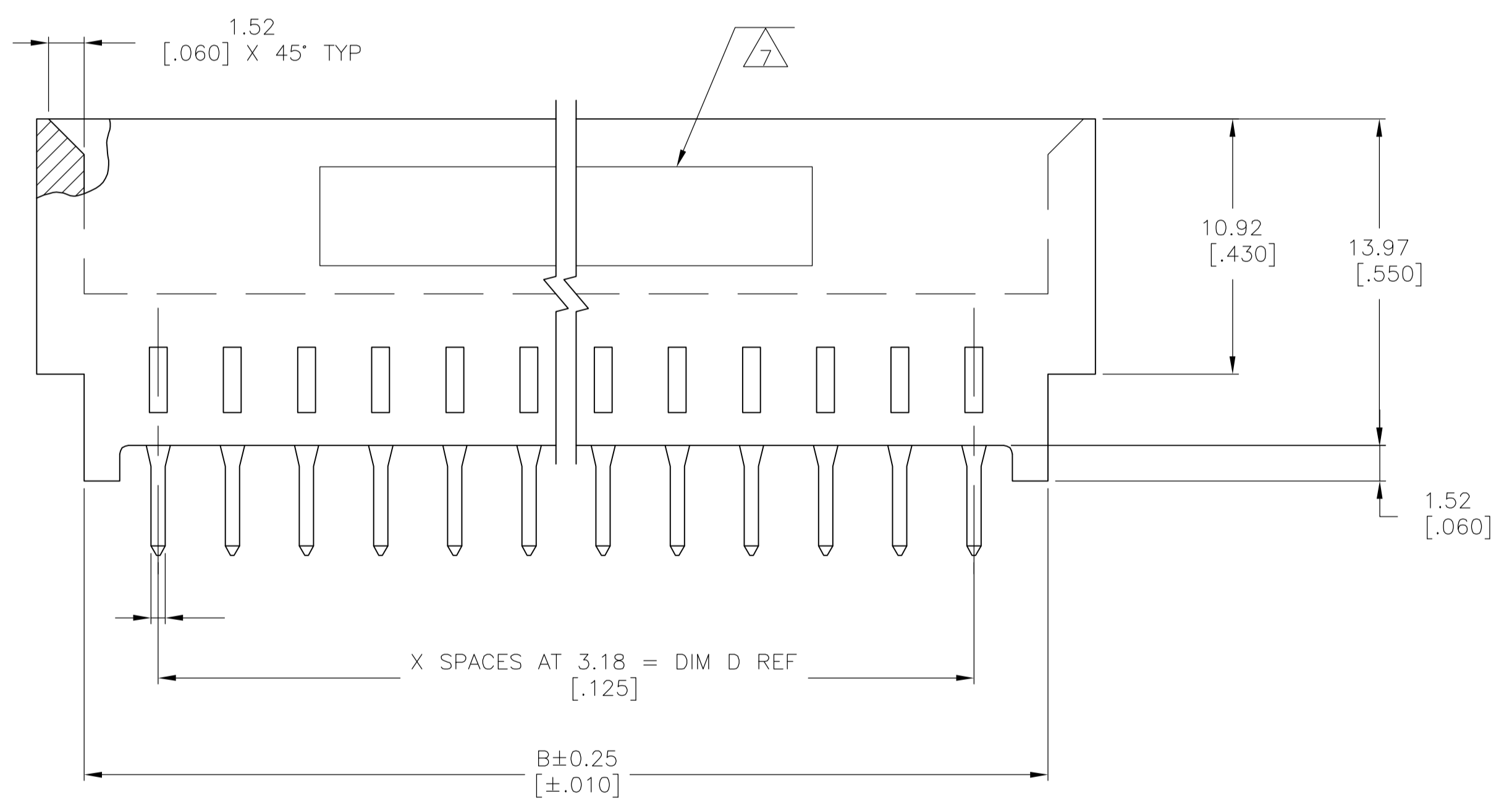
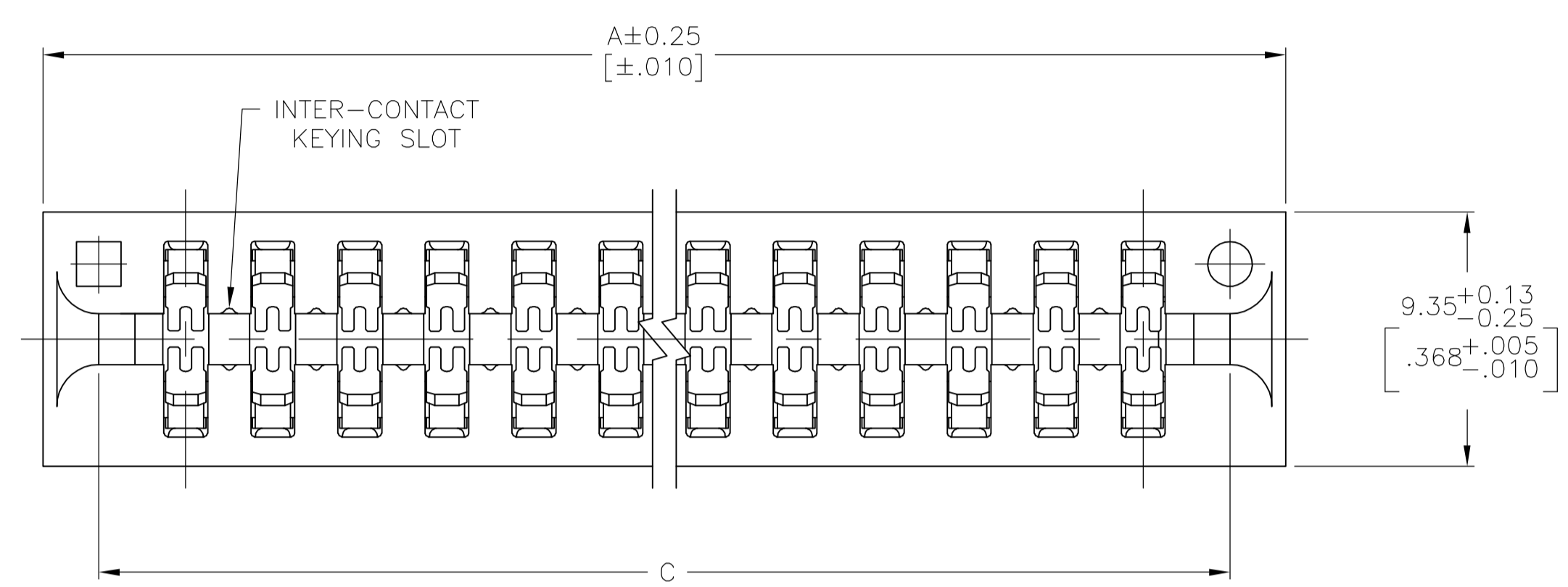


- 1 HOUSING: GLASS FILLED POLYESTER; COLOR: BLACK.
- 2 CONTACT: PHOSPHOR BRONZE.
- 3 NICKEL UNDERPLATE: 0.00127 [.000050] MIN - ALL OVER.
- 4 TIN-LEAD PLATE: 0.00254 [.000100] MIN - SOLDER POSTS.
- 5 GOLD PLATE: 0.00076 [.000030] MIN - CONTACT AREA.
- 6 NICKEL PLATE PER MIL-G-45204.  
GOLD PLATE PER QQ-N-290.
- 7 AMP PART NUMBER AND DATE CODE ARE MARKED IN APPROXIMATE AREA SHOWN, EITHER SIDE.
- 8. RECOMMENDED PCB FINISHED HOLE DIA: 1.02 ± 0.08 [.040 ± .003].
- 9. THE RETENTIVE FEATURE OF THIS CONNECTOR IS DESIGNED FOR FULL SEATING IN .062 ± .008 THICK CIRCUIT BOARDS. FOR APPLICATIONS IN BOARDS OF OTHER THICKNESSES CONTACT AMP INCORPORATED.
- 10 MATTE TIN PLATE: 0.00254 [.000100] MIN - SOLDER POSTS.



BOARD RETENTION FEATURE

3-10	15.88 [.625]	22.22 [.875]	22.22 [.875]	26.29 [1.035]	5	6	5-650207-1
3-10	15.88 [.625]	22.22 [.875]	22.22 [.875]	26.29 [1.035]	5	6	650207-1
BOARD RETENTION LOCATION	D	C	B	A	X	NO OF POSN.	PART NUMBER

THIS DRAWING IS A CONTROLLED DOCUMENT.		DIN R. SHIREY/UTA 11/6/91	Tyco Electronics Corporation Harrisburg, Pa 17105-3608
DIMENSIONS: mm [INCHES]		CHK J. DIORAZIO 8-10-92	
TOLERANCES UNLESS OTHERWISE SPECIFIED:		APVD J. DIORAZIO 8-10-92	NAME CONNECTOR ASSEMBLY, STANDARD EDGE II, 3.18 [.125] CL, SELECT BOARD RETENTION
0 PLC ± - 1 PLC ± - 2 PLC ± 0.13 [.005] 3 PLC ± - 4 PLC ± - ANGLES ± -		PRODUCT SPEC 108-9039 APPLICATION SPEC	
MATERIAL	HOUSING: △ CONTACT: △	FINISH	SIZE: A1 CAGE CODE: 00779 DRAWING NO: 650207 WEIGHT: - CUSTOMER DRAWING
		SCALE: 5:1	SHEET 1 OF 1 REV C