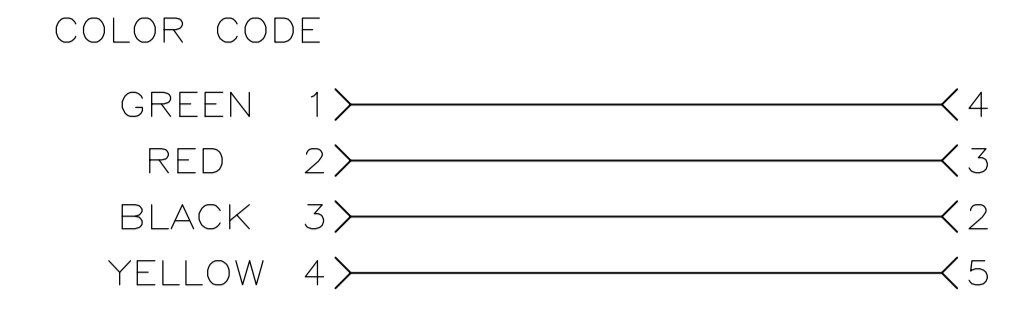
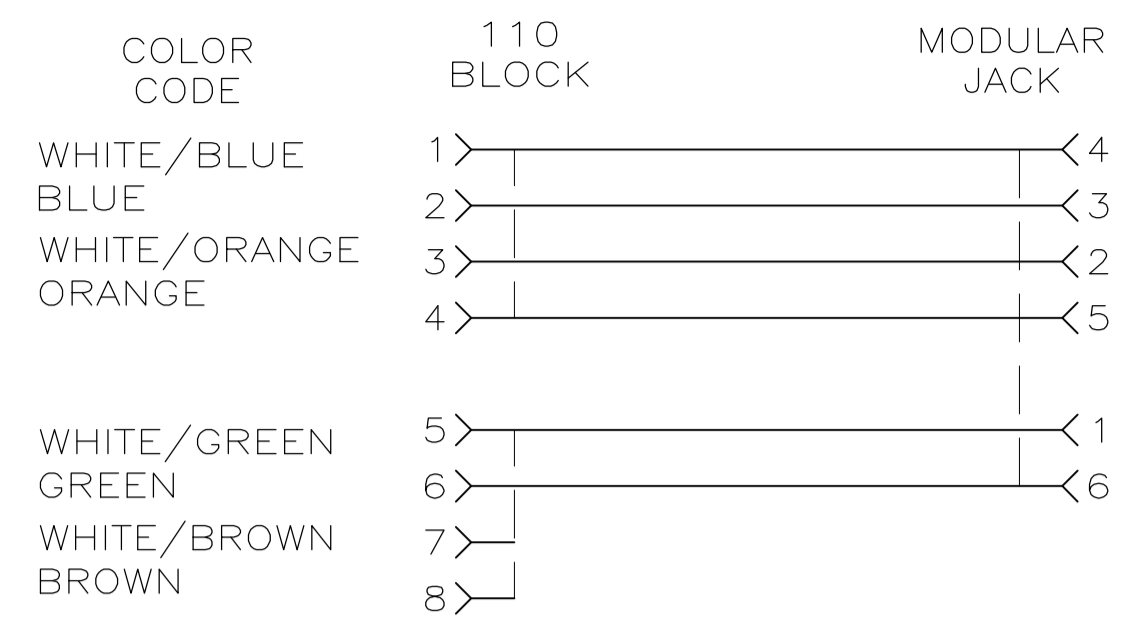


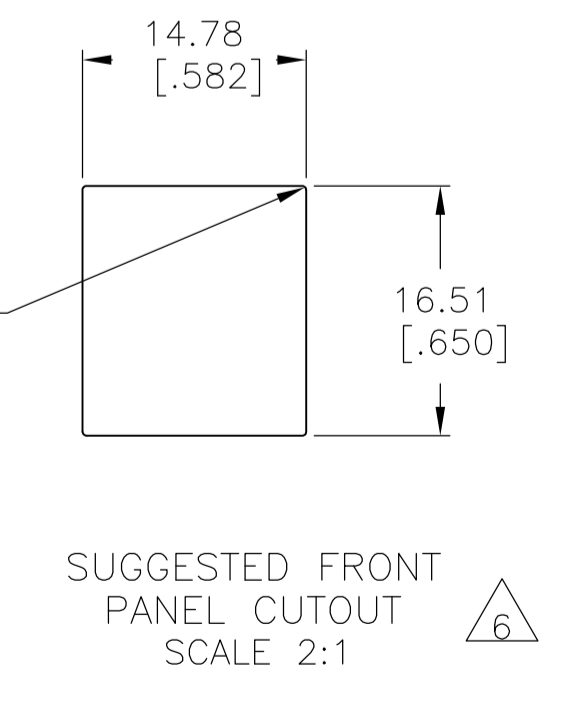
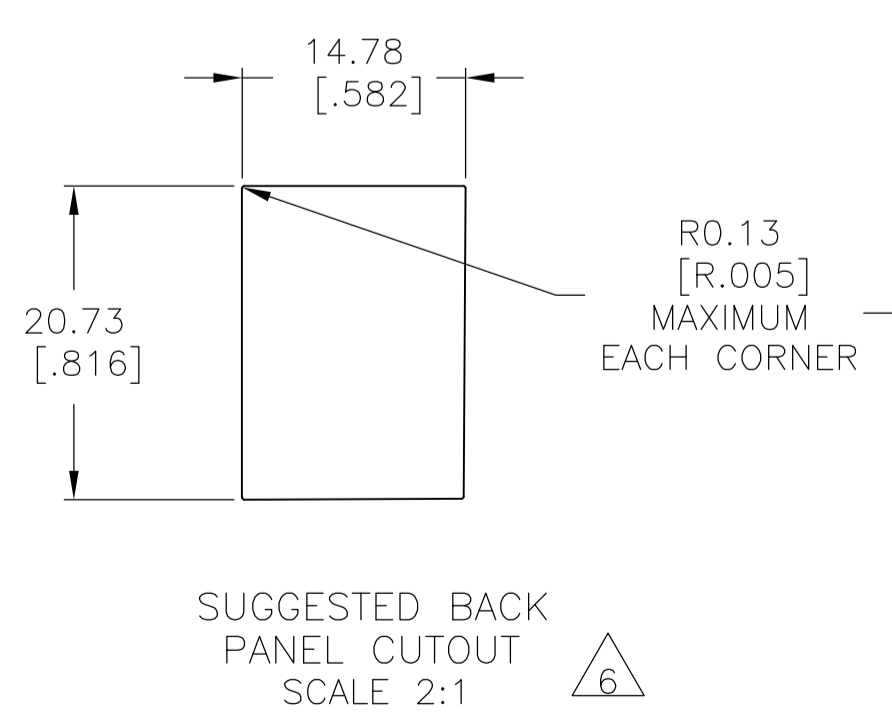
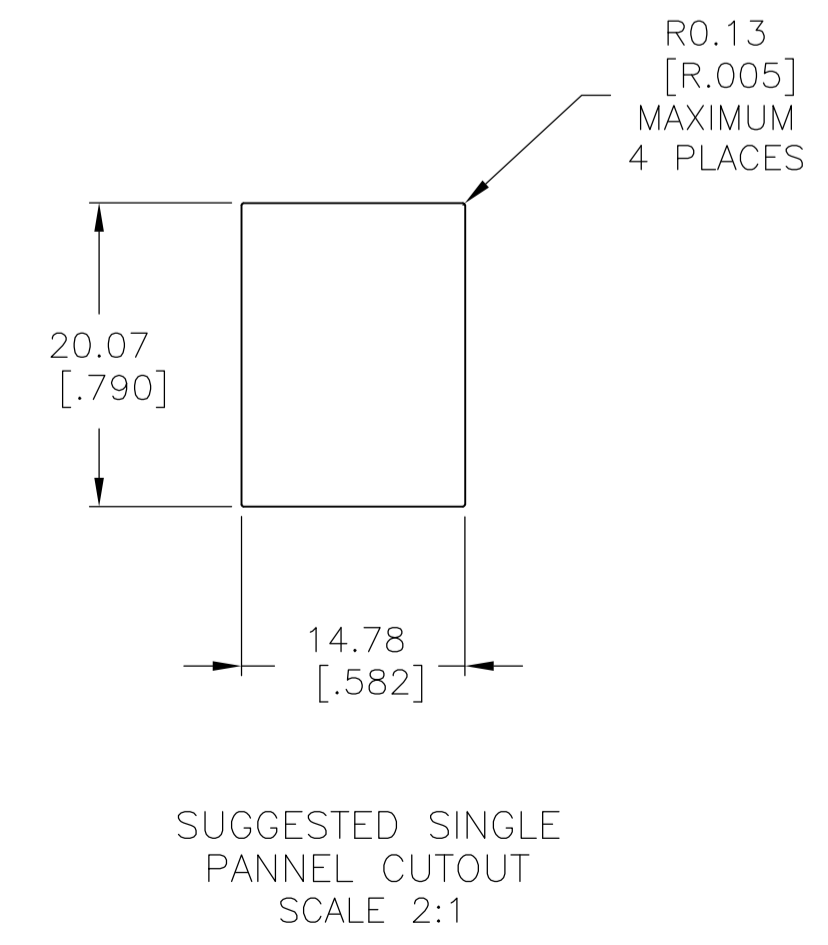
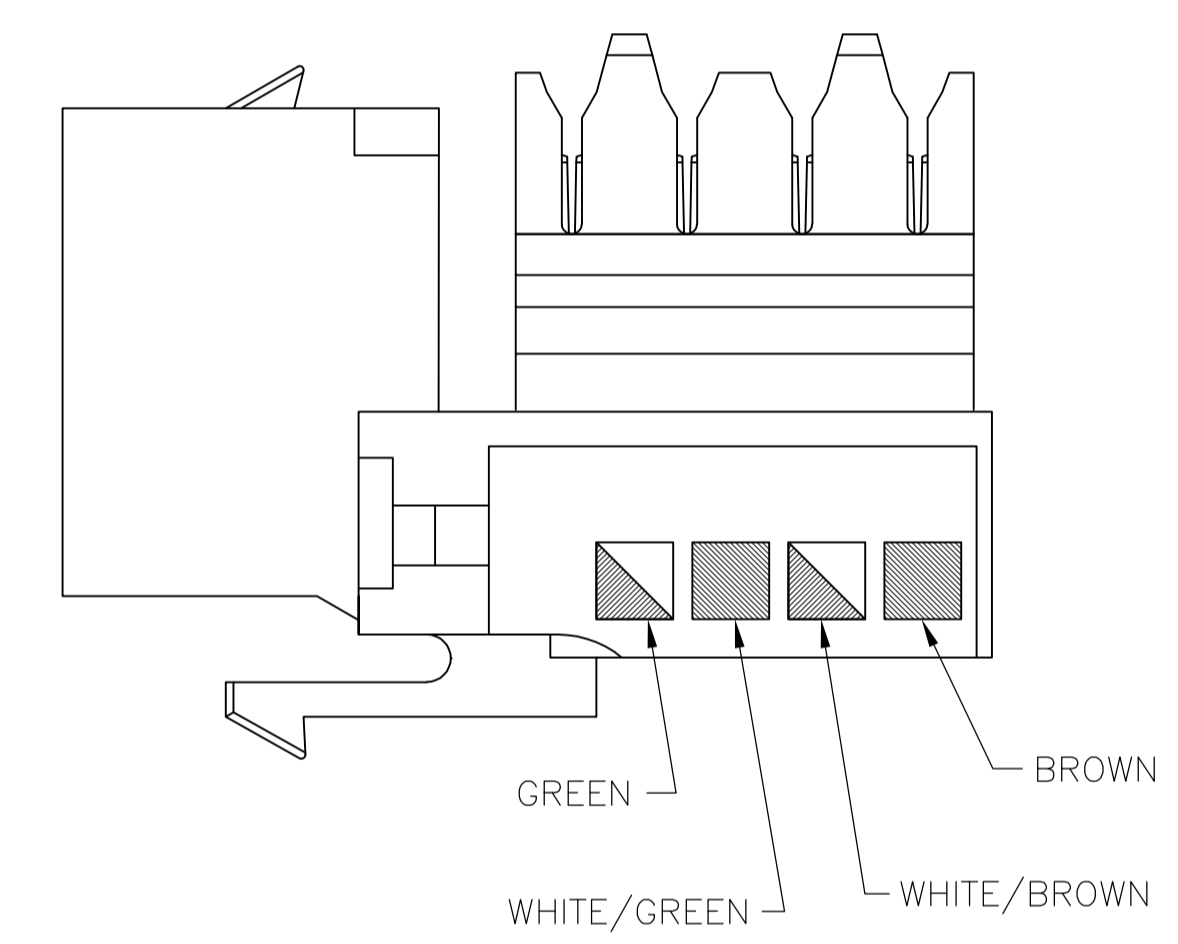
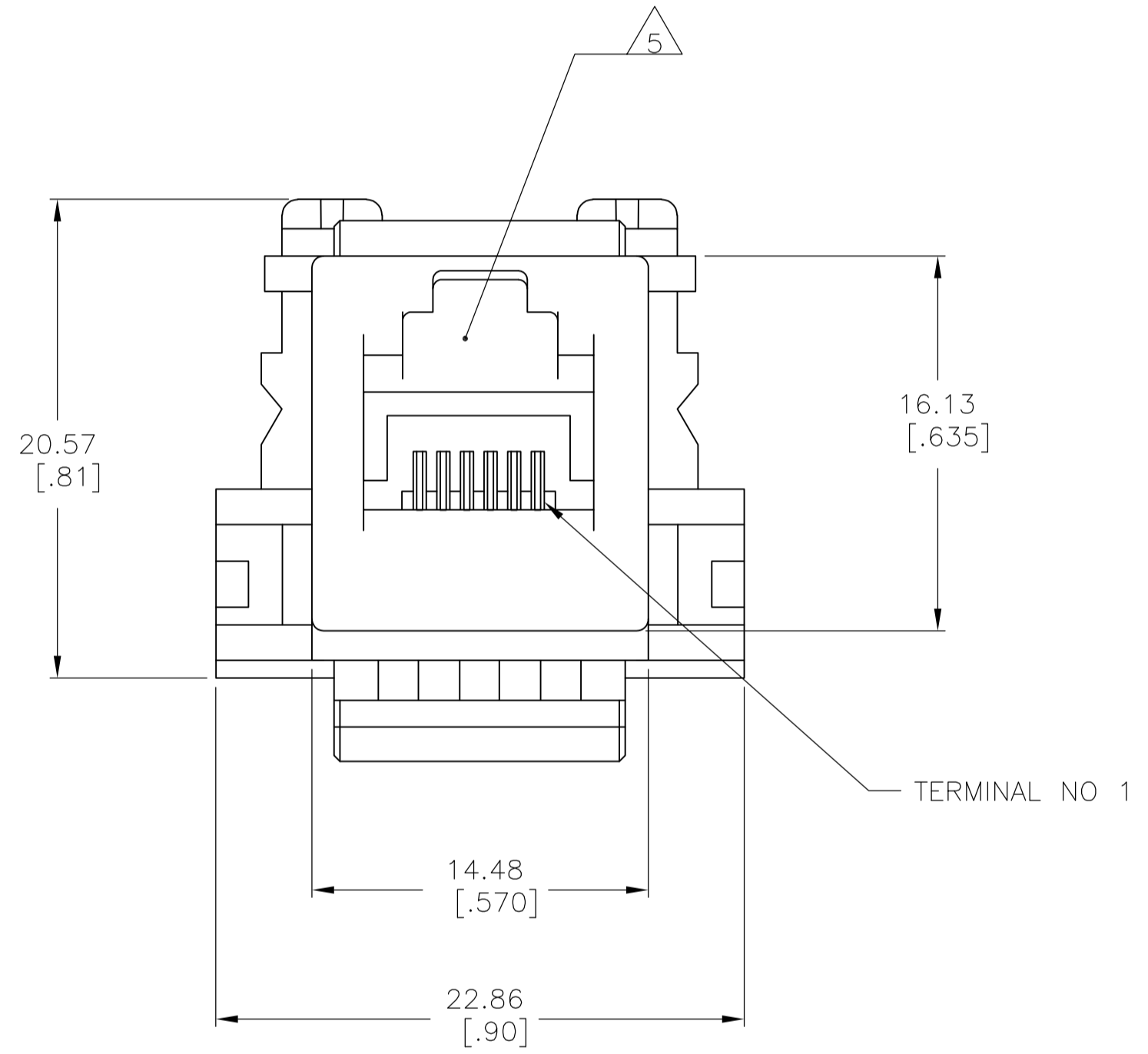
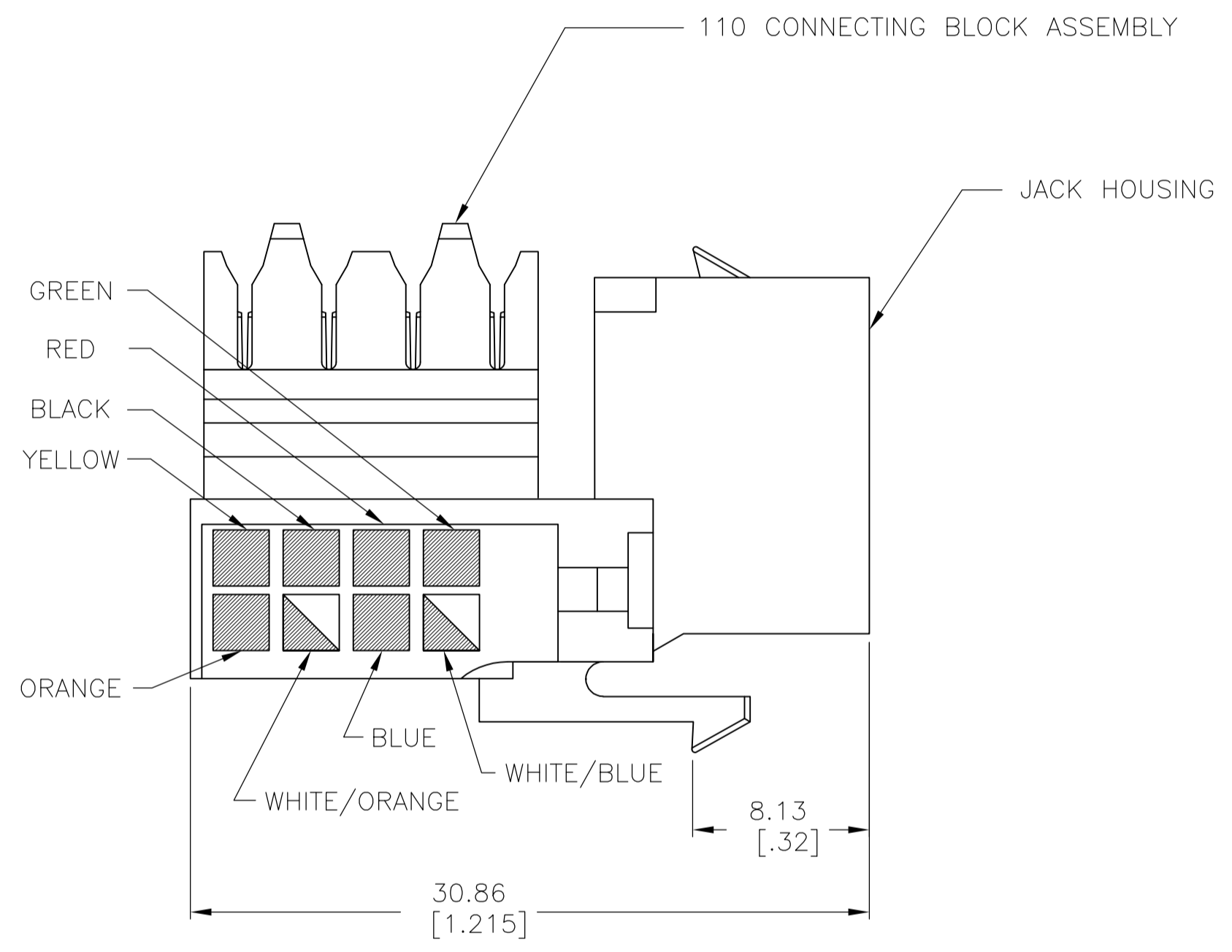
LOC		DIST		REVISIONS			
HM	00	REV	DESCRIPTION	DATE	BY	CHK	APPV
E1		REVISED PER	ECO-11-005033	21MAR11	RK	HMR	
E2		ADD 1/3, REV	ECO-11-011931	10JUN2011	LH	SA	



QUAD WIRING

ELECTRICAL SCHEMATIC (USOC)

- 1. MATERIAL: HOUSING - POLYCARBONATE, 94V-0 RATED. SEE TABLE FOR COLOR. 110 BLOCKS - POLYCARBONATE, 94V-0 RATED. JACK CONTACTS - PHOSPHOROUS BRONZE, PLATED WITH 1.27µm [.000050] MINIMUM THICK GOLD IN LOCALIZED AREA AND 3.81µm [.000150] MINIMUM THICK MATTE TIN IN SOLDER AREA OVER 1.27µm [.000050] MINIMUM THICK NICKEL UNDERPLATE.
- 2. 110 BLOCK WILL TERMINATE 22-26 AWG SOLID CONDUCTORS OR 20-26 AWG 7 STRAND CONDUCTORS, 1.27 [.050] MAXIMUM INSULATION DIAMETER.
- 3. MOUNTING PANEL THICKNESS 1.473-1.600 [.058-.063].
- 4. PACKAGED 25 MODULAR JACK ASSEMBLIES PER CARTON.
- 5. CAVITY CONFORMS TO FCC RULES AND REGULATIONS PART 68 SUBPART F REQUIREMENTS.
- 6. THESE TWO SUGGESTED CUTOUT OPENINGS ARE USED IN TANDEM WITH DUAL FRONT AND BACK CUTOUTS.



PACKAGED	HOUSING COLOR	PART NUMBER
	ALPINE WHITE	1-406375-3
	ELECTRIC IVORY	1-406375-1
	VIOLET	1-406375-0
	GREEN	406375-9
	YELLOW	406375-8
	RED	406375-7
	BLUE	406375-6
	ORANGE	406375-5
	NEMA GRAY	406375-4
	WHITE	406375-3
	BLACK	406375-2
	LIGHT ALMOND	406375-1

THIS DRAWING IS A CONTROLLED DOCUMENT.

DL DRUMMOND 25 NOV 96
T WOOTEN 09 JAN 97
G ROWMAN 09 JAN 97

TE Connectivity

110 MODULAR JACK ASSEMBLY, RJ11

108-1389
408-3389

SIZE: A1 CAGE CODE: 00779 DRAWING NO: 406375

RESTRICTED TO: CUSTOMER DRAWING

SCALE: 4:1 SHEET: 1 OF 1 REV: E2