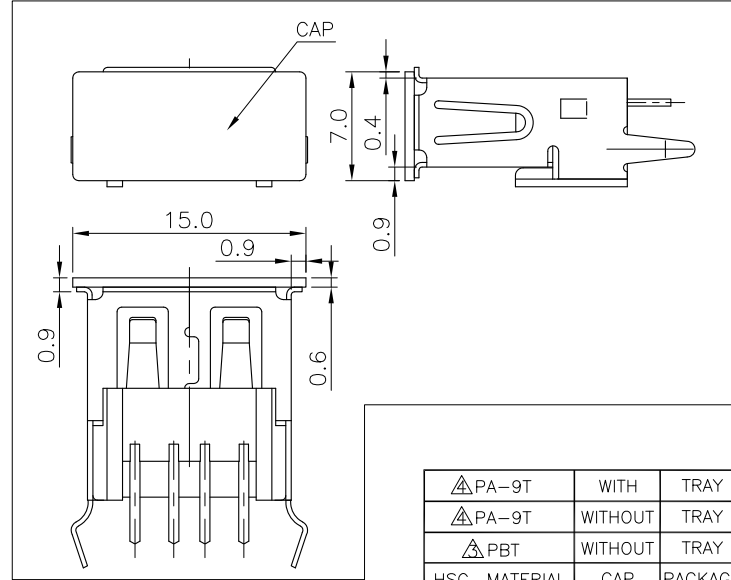
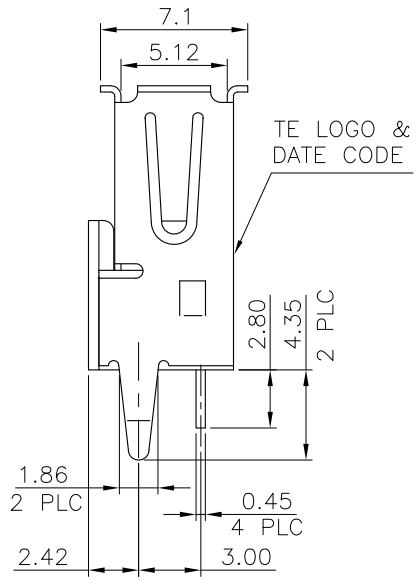
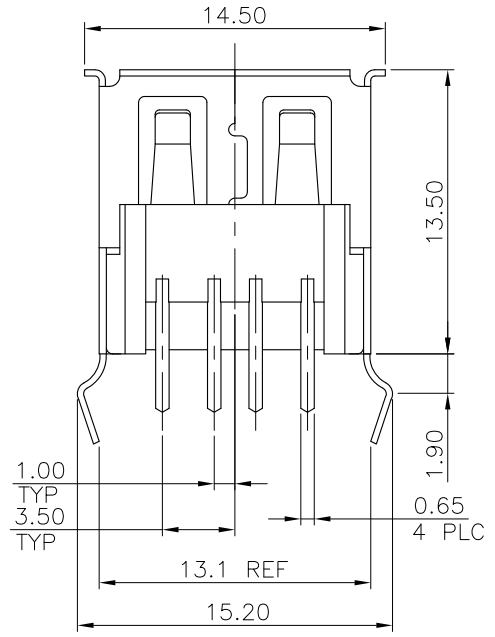
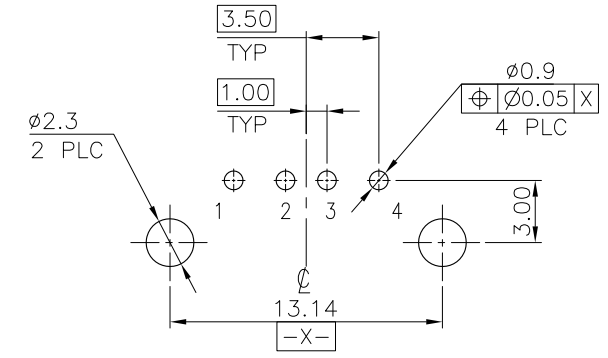
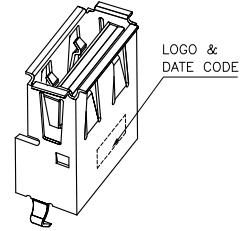
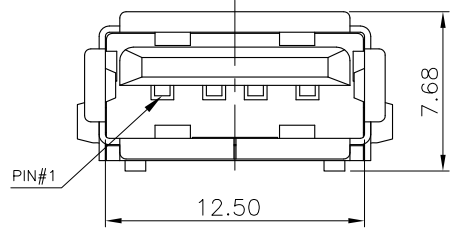


LOC	DIST	REVISIONS			
P	LTR	DESCRIPTION	DATE	DWN	APVD
DW		D1	REVISED. (ECR-13-000479), OBSOLETE 2-1734085-1	23APR13	JL WK



- NOTES:
- MATERIAL:
 HOUSING: THERMOPLASTIC (SEE TABLE), WITH 30% GF.
 UL 94V-0 RATED, BLACK COLOR.
 CAP: THERMOPLASTIC HIGH TEMP WITH 30%GF, UL 94V-0, WHITE COLOR.
 CONTACT: PHOSPHOR BRONZE.
 SHIELD: BRASS.
 - FINISH:
 CONTACT: 0.762µm [30µ"] MIN. GOLD PLATING ON CONTACT AREA.
 3.048µm [120µ"] MIN. MATTE-TIN PLATING ON SOLDER TAILS.
 WITH ENTIRE CONTACT UNDERPLATED 1.27µm [50µ"] MIN. NICKEL
 SHIELD: 0.762µm [30µ"] MIN. NICKEL PLATING WITH
 0.762µm [30µ"] MIN. Cu UNDERPLATING OVERALL
 WAVE SOLDER CAPABLE TO 240°C PER TE TEST SPEC. 109-202, CONDITION A.
 REFLOW SOLDER CAPABLE TO 260°C PER TE TEST SPEC. 109-201, CONDITION B.
 TID NUMBER IS 61000806 FOR USB 2.0 SPEC.

HSG. MATERIAL	CAP	PACKAGE	PART NUMBER
△PA-9T	WITH	TRAY	1734085-3
△PA-9T	WITHOUT	TRAY	1734085-2
△PBT	WITHOUT	TRAY	1734085-1

THIS DRAWING IS A CONTROLLED DOCUMENT.

DWN	O. HU	18MAR2005
CHK	S. HOU	18MAR2005
APVD	W.J. KE	18MAR2005

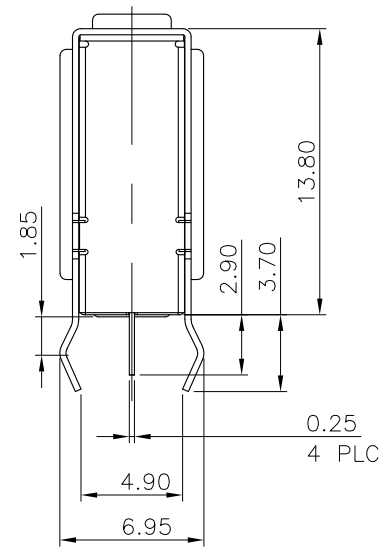
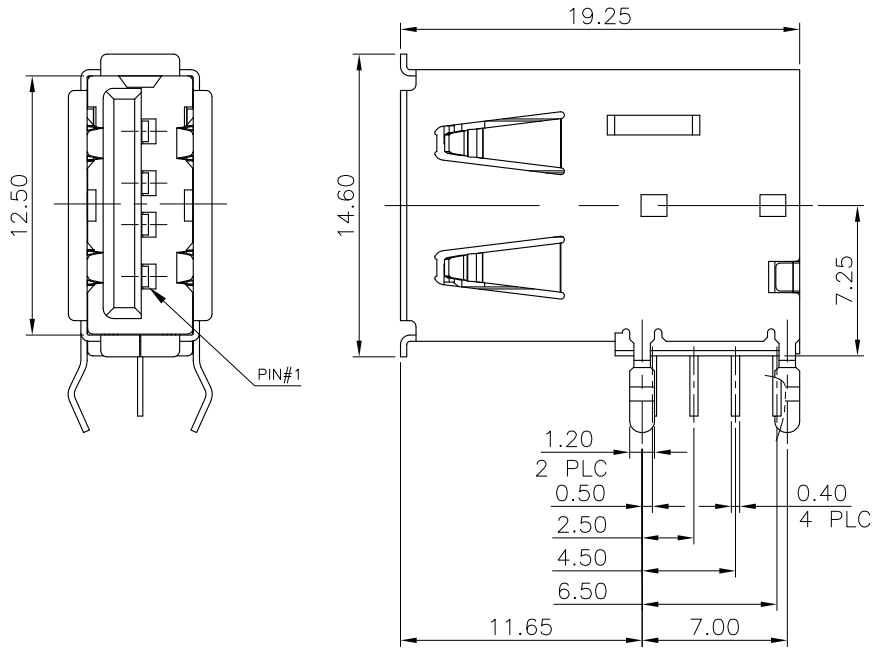
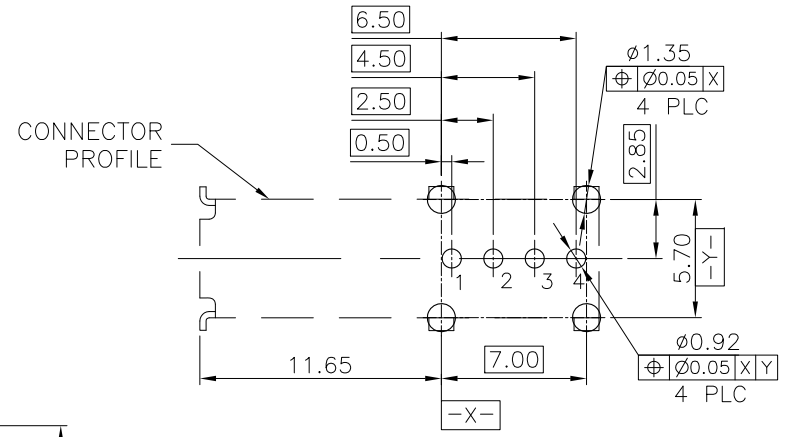
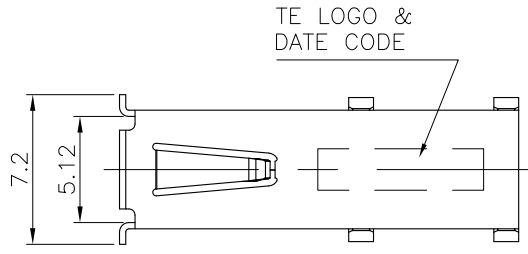
PRODUCT SPEC: 108-57549
 APPLICATION SPEC: 501-57638
 WEIGHT: 1.70 GRAMS

STE TE Connectivity

USB CONNECTOR, A SERIES, VERTICAL, DIP TYPE

SIZE	A3	CAGE CODE	00779	DRAWING NO	C=1734085	RESTRICTED TO		
CUSTOMER DRAWING						SCALE	SHEET 1 OF 9	REV D1

LOC	DIST	REVISIONS					
DW		P	LTR	DESCRIPTION	DATE	DWN	APVD
		SEE SHEET 1.					



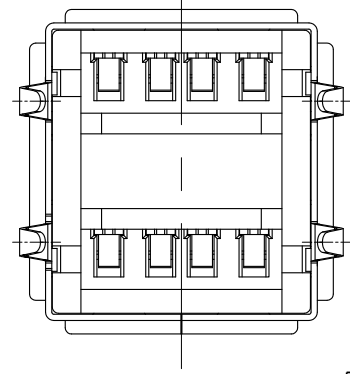
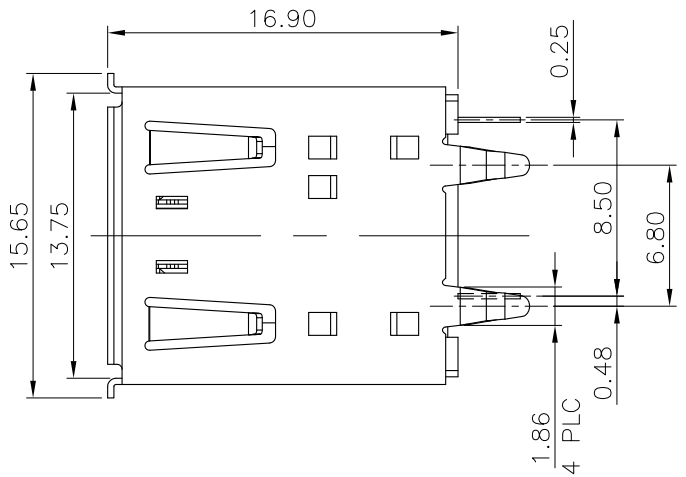
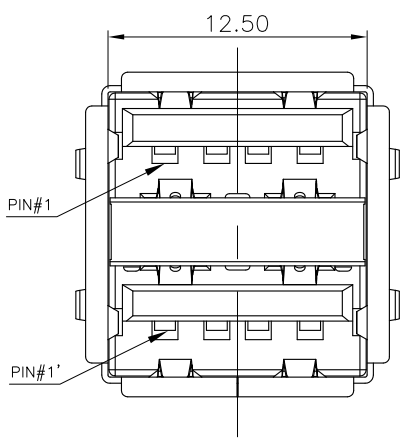
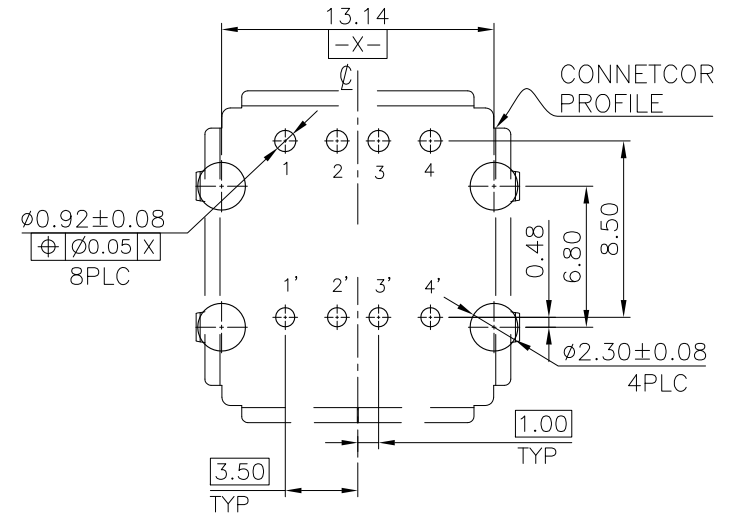
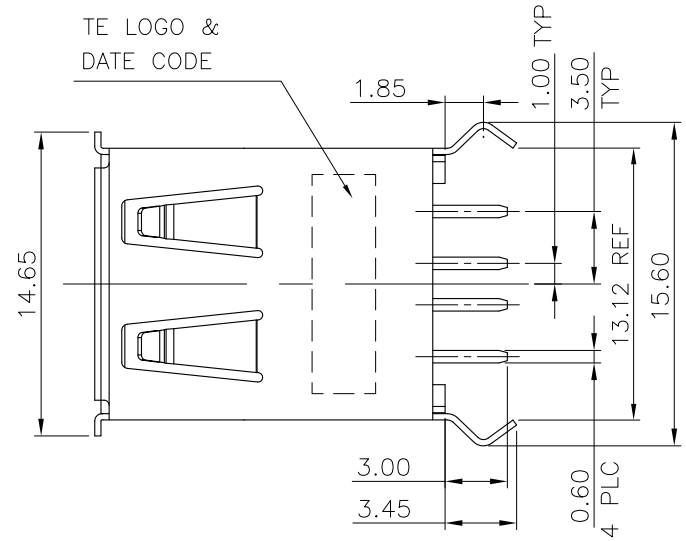
RECOMMEND P.C.B LAYOUT (THICKNESS 1.6mm)
 (COMPONENT SIDE) TOLERANCE ±0.05

- NOTES :
- MATERIAL:
 HOUSING: THERMOPLASTIC (SEE TABLE), WITH 30% GF. UL94V-0 RATED, BLACK COLOR
 CONTACTS: PHOSPHOR BRONZE.
 SHIELD: BRASS.
 REAR SHIELD: SPCC.
 - FINISH:
 CONTACT: 0.762μm [30μ"] MIN. GOLD PLATING ON CONTACT AREA
 3.048μm [120μ"] MIN. BRIGHT TIN PLATING ON SOLDER TAILS WITH ENTIRE CONTACT UNDERPLATED 1.27μm [50μ"] MIN. NICKEL
 SHIELD: 0.762μm [30μ"] MIN. NICKEL PLATING WITH 0.762μm [30μ"] MIN. Cu UNDERPLATING OVERALL
 - WAVE SOLDER CAPABLE TO 240°C PER TE TEST SPEC. 109-202, CONDITION A.
 - REFLOW SOLDER CAPABLE TO 260°C PER TE TEST SPEC. 109-201, CONDITION B.
 - TID NUMBER IS 61000806 FOR USB 2.0 SPEC.
 - LOW HALOGEN SPECIFICATION:
 CHLORINE(Cl): 900ppm MAX.
 BROMINE(Br): 900ppm MAX.

	△△ LCP	TRAY	1-1734085-3
	△ PA-9T	TRAY	1-1734085-2
OBSOLETED	△ PBT	TRAY	1-1734085-1
	HSG. MATERIAL	PACKAGE	PART NUMBER

THIS DRAWING IS A CONTROLLED DOCUMENT.		DWN	STE TE Connectivity	
DIMENSIONS: MM		CHK		
TOLERANCES UNLESS OTHERWISE SPECIFIED:		APVD	NAME	
0 PLC ± - 1 PLC ± 0.35 2 PLC ± 0.25 3 PLC ± 0.15 4 PLC ± - ANGLES ± 3°		PRODUCT SPEC	USB CONNECTOR, A SERIES, VERTICAL, DIP TYPE	
MATERIAL SEE NOTE		FINISH SEE NOTE	APPLICATION SPEC	RESTRICTED TO
		WEIGHT 2.8 GRAMS	SIZE A3	CAGE CODE 00779
		CUSTOMER DRAWING	DRAWING NO C=1734085	REV D1
		SCALE	SHEET 2 OF 9	

LOC	DIST	REVISIONS					
DW		P	LTR	DESCRIPTION	DATE	DWN	APVD
		SEE SHEET 1.					

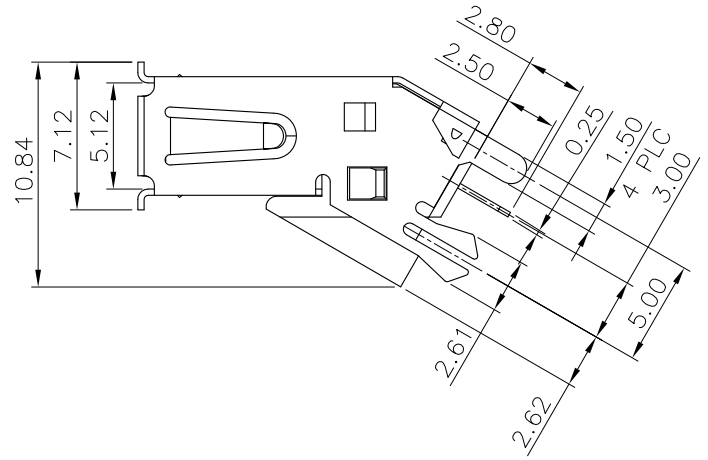
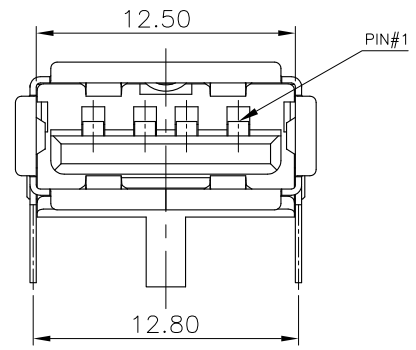
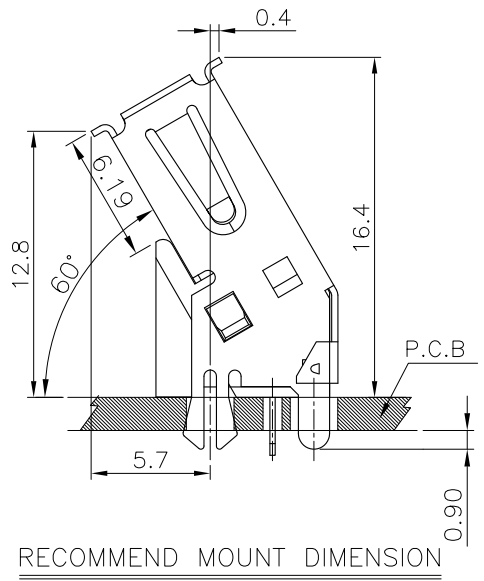
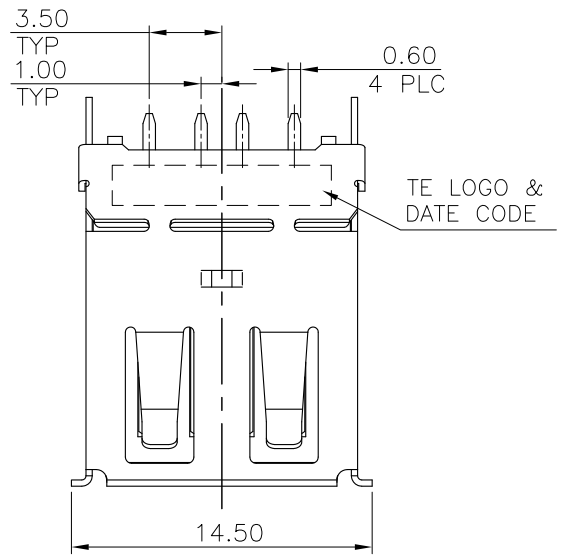


- NOTES:
- MATERIAL:
 HOUSING: THERMOPLASTIC (SEE TABLE), WITH 30% GF.
 UL 94V-0 RATED, BLACK COLOR
 CONTACT: BRASS.
 SHIELD: BRASS.
 - FINISH :
 CONTACT: 0.762µm [30µ"] MIN. GOLD PLATING ON CONTACT AREA.
 3.048µm [120µ"] MIN. BRIGHT TIN PLATING ON SOLDER TAILS
 WITH ENTIRE CONTACT UNDERPLATED 1.27µm [50µ"] MIN.
- NICKEL
 SHIELD: 0.762µm [30µ"] MIN. NICKEL PLATING WITH
 0.762µm [30µ"] MIN. Cu UNDERPLATING OVERALL
- ⚠ WAVE SOLDER CAPABLE TO 240°C PER TE TEST SPEC. 109-202, CONDITION A.
 ⚠ REFLOW SOLDER CAPABLE TO 260°C PER TE TEST SPEC. 109-201, CONDITION B.
5. TID NUMBER IS 61000806 FOR USB 2.0 SPEC.

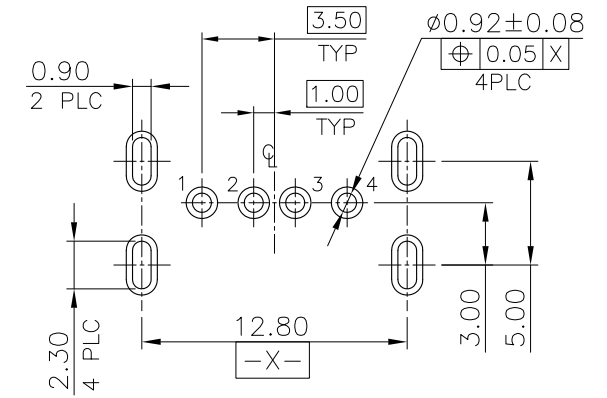
OBSOLETE	PA-9T	TRAY	2-1734085-2
OBSOLETE	PBT	TRAY	2-1734085-1
	HSG. MATERIAL	PACKAGE	PART NUMBER

THIS DRAWING IS A CONTROLLED DOCUMENT.		DWN		TE Connectivity	
DIMENSIONS: MM		CHK			
TOLERANCES UNLESS OTHERWISE SPECIFIED:		APVD		NAME	
0 PLC ± - 1 PLC ± 0.35 2 PLC ± 0.25 3 PLC ± 0.15 4 PLC ± - ANGLES ± 3°		PRODUCT SPEC		USB CONNECTOR, A SERIES, VERTICAL, DIP TYPE	
MATERIAL		FINISH		SIZE	
SEE NOTE		SEE NOTE		CAGE CODE	
		WEIGHT		DRAWING NO	
		4.57 GRAMS		A3 00779	
		CUSTOMER DRAWING		G=1734085	
		SCALE		RESTRICTED TO	
		SHEET		3 OF 9	
		REV		D1	

LOC	DIST	REVISIONS			
P	LTR	DESCRIPTION	DATE	DWN	APVD
DW		SEE SHEET 1.			



- NOTES:
- MATERIAL:
 HOUSING: THERMOPLASTIC (SEE TABLE), WITH 30% GF. UL 94V-0 RATED, BLACK COLOR
 CONTACT: PHOSPHOR BRONZE.
 SHIELD: BRASS.
 - FINISH:
 CONTACT: 0.762μm [30μ"] MIN. GOLD PLATING ON CONTACT AREA.
 3.048μm [120μ"] MIN. BRIGHT TIN PLATING ON SOLDERTAILS WITH ENTIRE CONTACT UNDERPLATED
 1.27μm [50μ"] MIN. NICKEL
 SHIELD: 0.762μm [30μ"] MIN. NICKEL PLATING WITH 0.762μm [30μ"] MIN. Cu UNDER PLATING OVERALL
- ⚠ WAVE SOLDER CAPABLE TO 240°C PER TE TEST SPEC. 109-202, CONDITION A.
 ⚠ REFLOW SOLDER CAPABLE TO 260°C PER TE TEST SPEC. 109-201, CONDITION B.
5. TID NUMBER IS 61000806 FOR USB 2.0 SPEC.



RECOMMEND P.C.B LAYOUT (THICKNESS 1.6mm)
 (COMPONENT SIDE) TOLERANCE ±0.05mm

	⚠ PA-9T	TRAY	3-1734085-2
OBSOLETE	⚠ PBT	TRAY	3-1734085-1
	HSG. MATERIAL	PACKAGE	PART NUMBER

THIS DRAWING IS A CONTROLLED DOCUMENT.		DWN	STE TE Connectivity	
DIMENSIONS: MM		CHK		
TOLERANCES UNLESS OTHERWISE SPECIFIED:		APVD	NAME	
0 PLC ± - 1 PLC ± 0.35 2 PLC ± 0.25 3 PLC ± 0.15 4 PLC ± - ANGLES ± 3°		PRODUCT SPEC	USB CONNECTOR, A SERIES, VERTICAL, DIP TYPE	
MATERIAL SEE NOTE		FINISH SEE NOTE	APPLICATION SPEC	RESTRICTED TO
		WEIGHT 2.16 GRAMS	SIZE A3	CAGE CODE 00779
		CUSTOMER DRAWING	DRAWING NO C=1734085	REV D1
		SCALE	SHEET 4 OF 9	

4

3

2

1

THIS DRAWING IS UNPUBLISHED.

RELEASED FOR PUBLICATION

AUG, 2006.

© COPYRIGHT 2009 BY TYCO ELECTRONICS CORPORATION. ALL RIGHTS RESERVED.

LOC
DW

DIST

REVISIONS

P

LTR

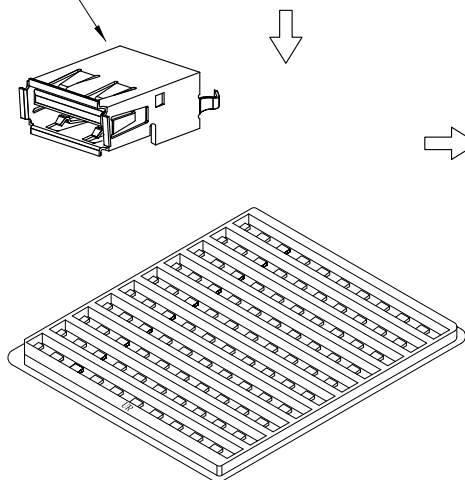
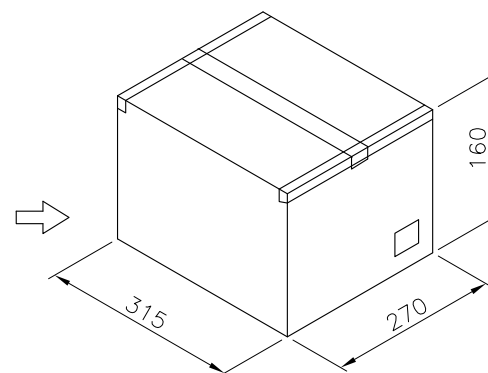
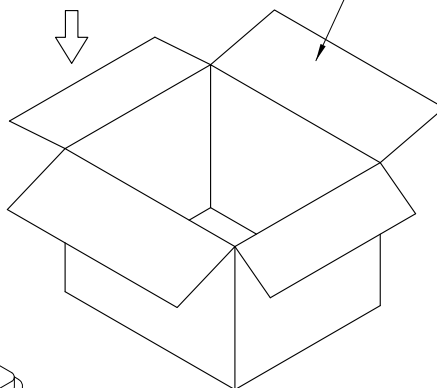
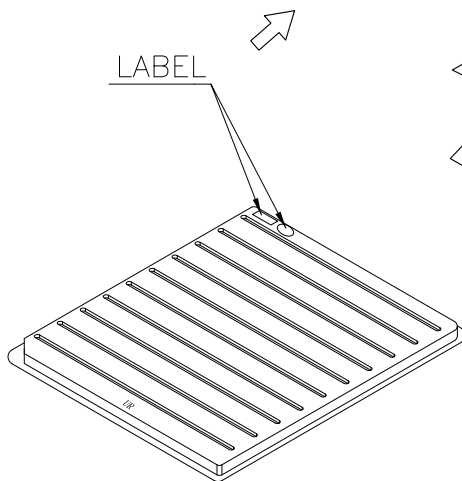
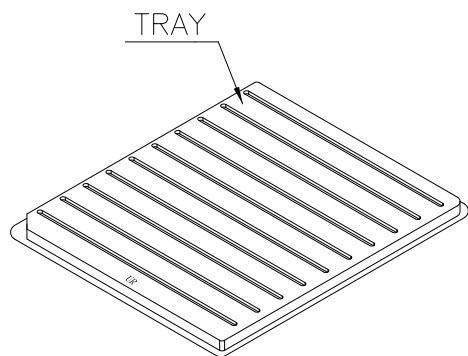
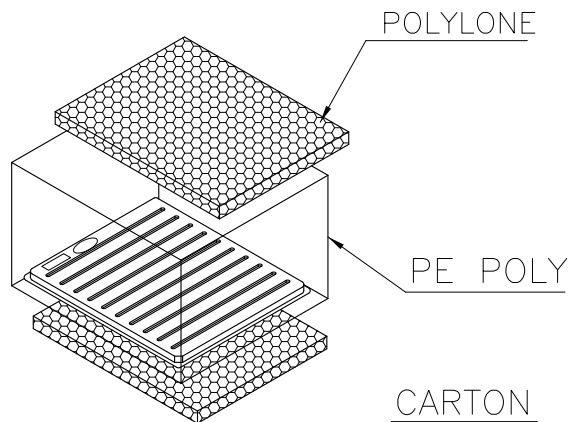
DESCRIPTION

DATE

DWN

APVD

SEE SHEET 1.



2.89 Kg	1.70 Kg	100	10	1000 PCS	1-1734085-X
					1734085-2
					1734085-1
GROSS WEIGHT	NET WEIGHT	PCS/TRAY	TRAYS /CARTON	QUANTITY	PART NUMBER

THIS DRAWING IS A CONTROLLED DOCUMENT.

DWN

CHK

APVD

PRODUCT SPEC

APPLICATION SPEC

WEIGHT

CUSTOMER DRAWING

TE Connectivity

USB CONNECTOR, A SERIES, VERTICAL, DIP TYPE

SIZE: A3 CAGE CODE: 00779 G=1734085

RESTRICTED TO

SCALE: - SHEET: 6 OF 9 REV: D1

THIS DRAWING IS UNPUBLISHED.

RELEASED FOR PUBLICATION

AUG ,2006.

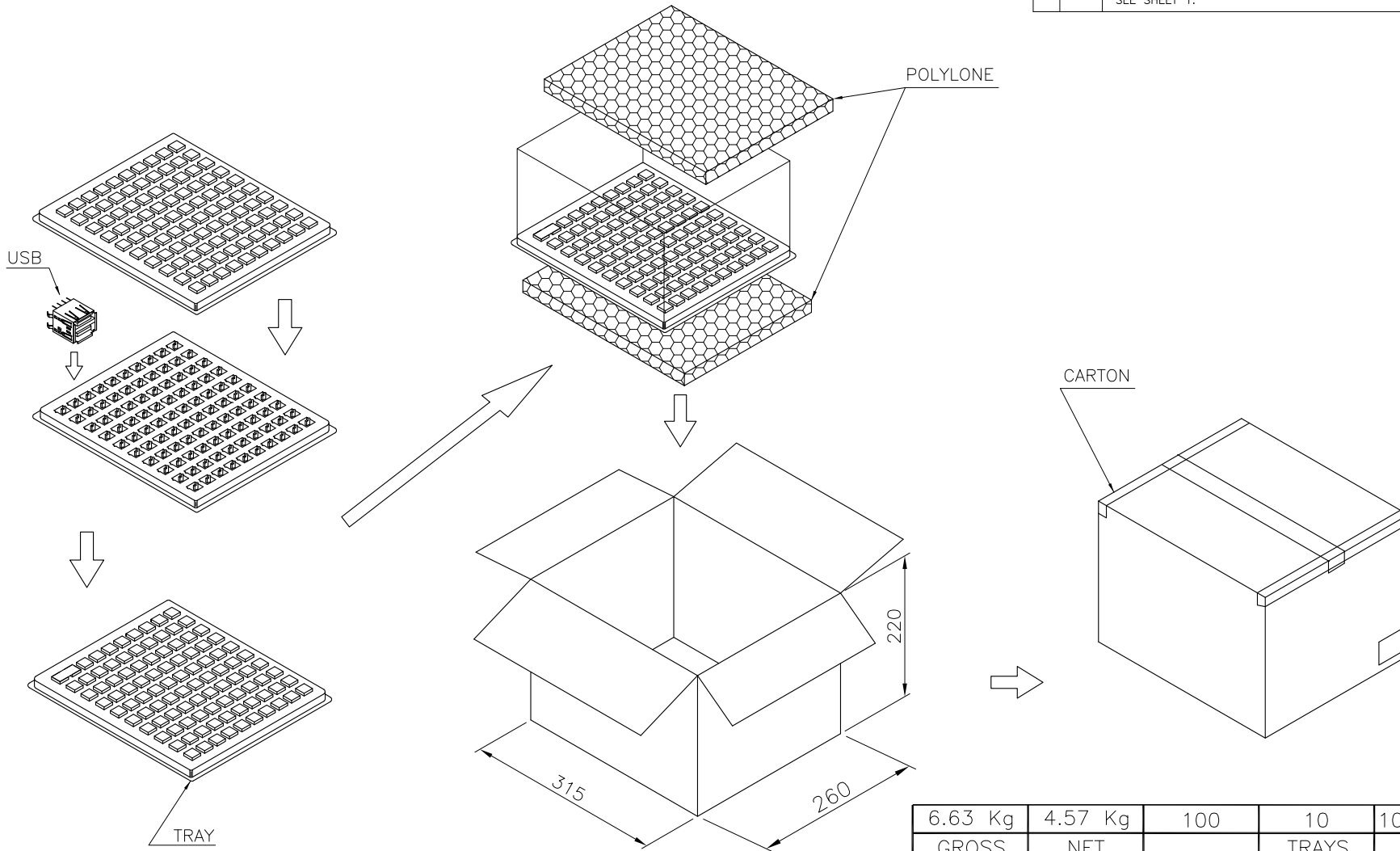
© COPYRIGHT 2009 BY TYCO ELECTRONICS CORPORATION. ALL RIGHTS RESERVED.

LOC DW

DIST

REVISIONS

P	LTR	DESCRIPTION	DATE	DWN	APVD
		SEE SHEET 1.			



6.63 Kg	4.57 Kg	100	10	1000 PCS	2-1734085-X
GROSS WEIGHT	NET WEIGHT	PCS/TRAY	TRAYS /CARTON	QUANTITY	PART NUMBER

THIS DRAWING IS A CONTROLLED DOCUMENT.

DIMENSIONS: MM	TOLERANCES UNLESS OTHERWISE SPECIFIED:	DWN	STE TE Connectivity			
	0 PLC ± - 1 PLC ± - 2 PLC ± - 3 PLC ± - 4 PLC ± - ANGLES ± -	CHK				NAME
MATERIAL	FINISH	APVD	USB CONNECTOR, A SERIES, VERTICAL, DIP TYPE			
		PRODUCT SPEC				SIZE
		APPLICATION SPEC	A3	00779	G=1734085	
		WEIGHT	CUSTOMER DRAWING			SCALE
						SHEET 7 of 9
						REV D1

4

3

2

1

THIS DRAWING IS UNPUBLISHED.

RELEASED FOR PUBLICATION

AUG ,2006.

© COPYRIGHT 2009 BY TYCO ELECTRONICS CORPORATION. ALL RIGHTS RESERVED.

ALL RIGHTS RESERVED.

LOC

DIST

REVISIONS

P

LTR

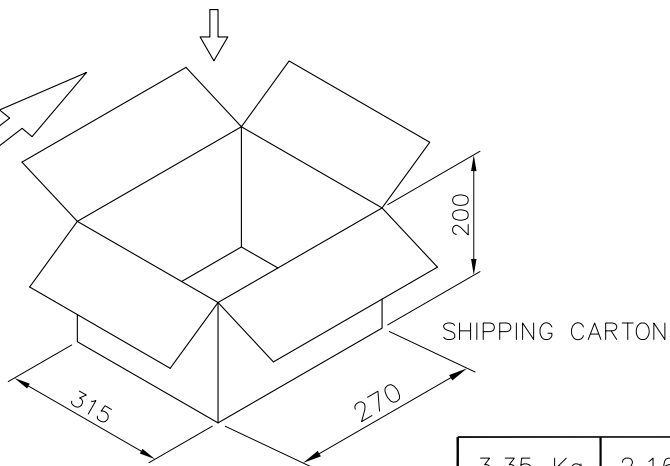
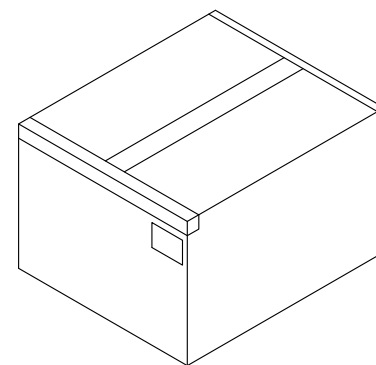
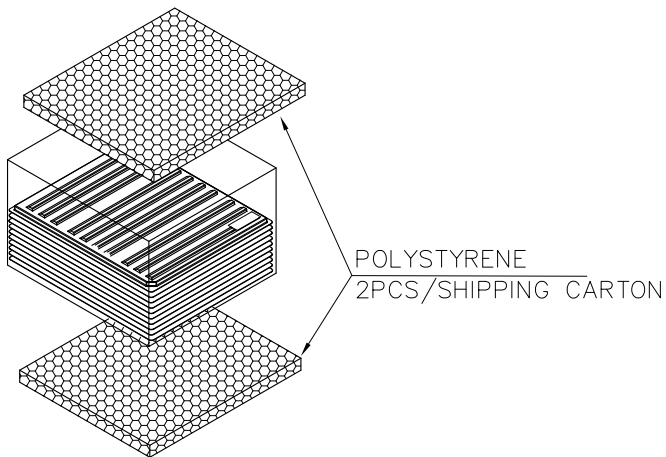
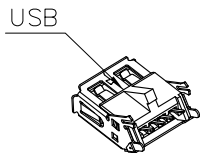
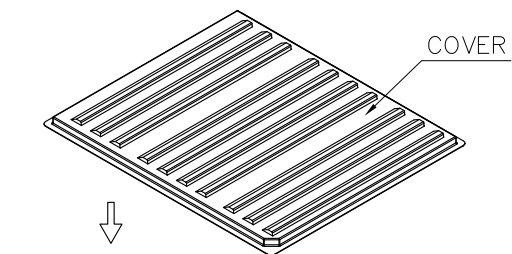
DESCRIPTION

DATE

DWN

APVD

SEE SHEET 1.



3.35 Kg	2.16 Kg	100	10	1000 PCS	4-1734085-X
					3-1734085-X
GROSS WEIGHT	NET WEIGHT	PCS/TRAY	TRAYS /CARTON	QUANTITY	PART NUMBER

THIS DRAWING IS A CONTROLLED DOCUMENT.

DIMENSIONS: MM	TOLERANCES UNLESS OTHERWISE SPECIFIED: 0 PLC ± - 1 PLC ± - 2 PLC ± - 3 PLC ± - 4 PLC ± - ANGLES ± -	DWN	TE Connectivity		
		CHK	NAME		
		APVD	PRODUCT SPEC		
			APPLICATION SPEC		
MATERIAL	FINISH	WEIGHT	SIZE	CAGE CODE	DRAWING NO
			A3	00779	G=1734085
CUSTOMER DRAWING			SCALE	SHEET	REV
			-	8 OF 9	D1

4

3

2

1

THIS DRAWING IS UNPUBLISHED.

RELEASED FOR PUBLICATION

AUG , 2006.

© COPYRIGHT 2009 BY TYCO ELECTRONICS CORPORATION. ALL RIGHTS RESERVED.

ALL RIGHTS RESERVED.

LOC

DIST

REVISIONS

P

LTR

DESCRIPTION

DATE

DWN

APVD

SEE SHEET 1.

D

D

C

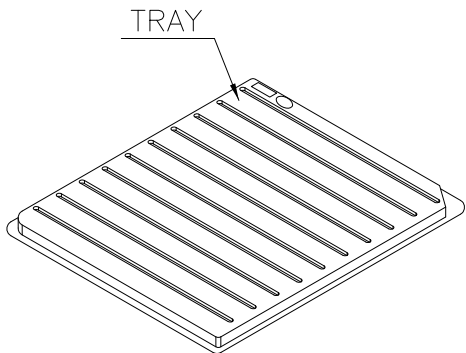
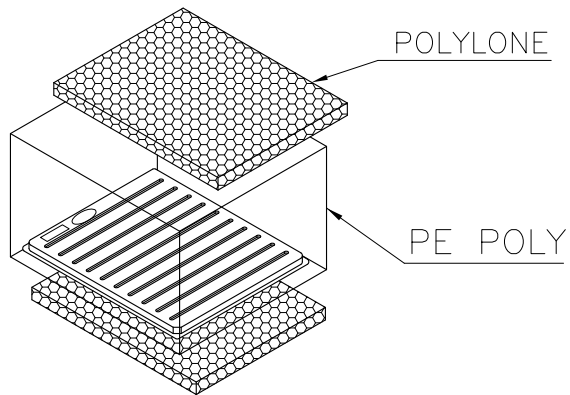
C

B

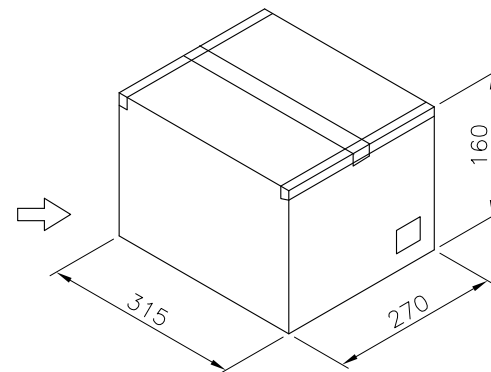
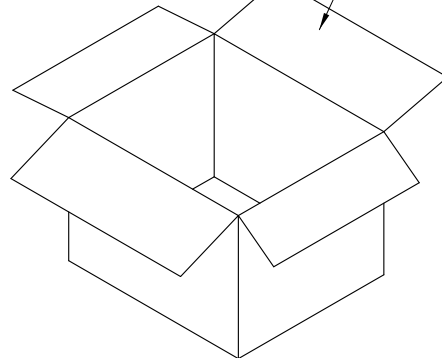
B

A

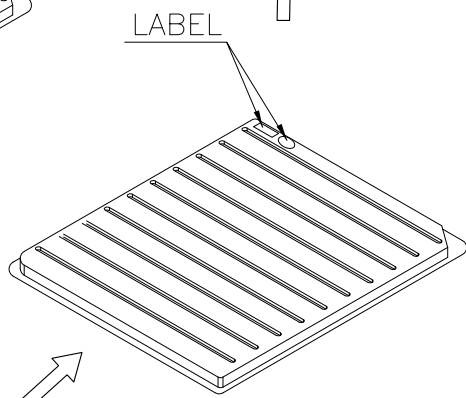
A



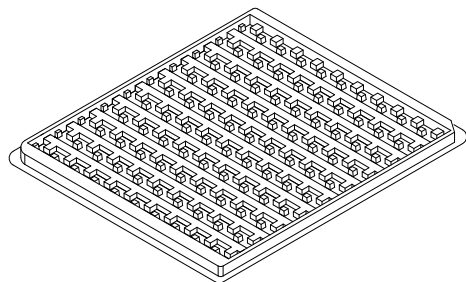
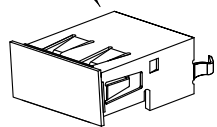
CARTON



LABEL



USB



2.04 Kg	1.85 Kg	100	10	1000 PCS	1734085-3
GROSS WEIGHT	NET WEIGHT	PCS/TRAY	TRAYS /CARTON	QUANTITY	PART NUMBER

THIS DRAWING IS A CONTROLLED DOCUMENT.		DWN			
DIMENSIONS: MM		CHK			
		APVD		NAME	
TOLERANCES UNLESS OTHERWISE SPECIFIED: 0 PLC ± - 1 PLC ± - 2 PLC ± - 3 PLC ± - 4 PLC ± - ANGLES ± -		PRODUCT SPEC		USB CONNECTOR, A SERIES, VERTICAL, DIP TYPE	
MATERIAL		APPLICATION SPEC		SIZE CAGE CODE DRAWING NO RESTRICTED TO	
FINISH		WEIGHT		A3 00779 C=1734085	
		CUSTOMER DRAWING		SCALE SHEET 9 of 9 REV D1	