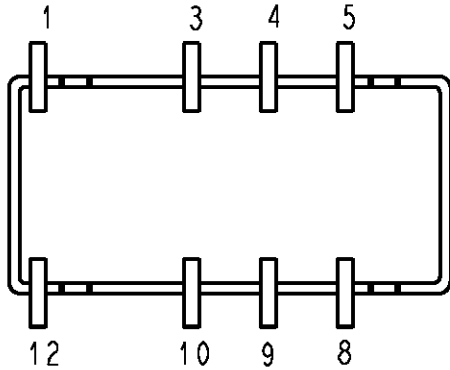
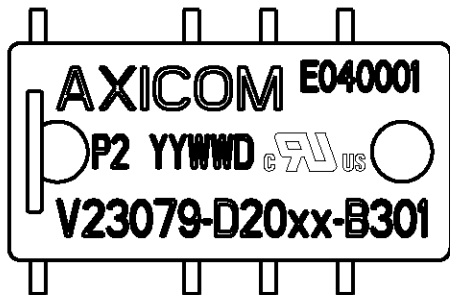
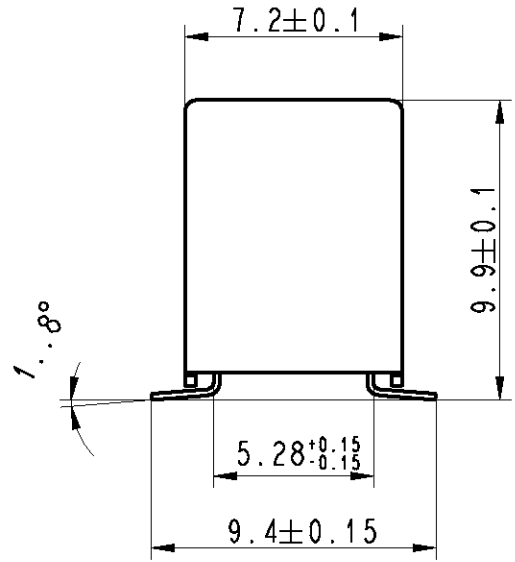
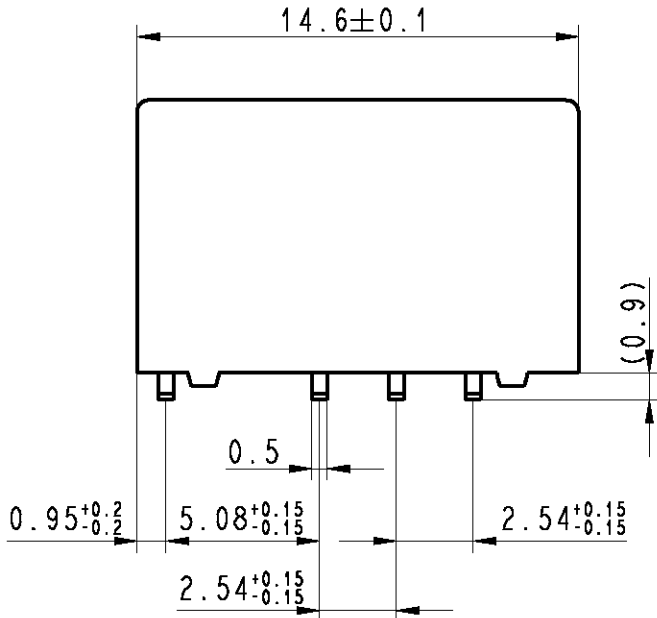


LOC	DIST	REVISIONS					
		P	LTR	DESCRIPTION	DATE	DWN	APVD
HJ	-		C2	REVISED PER ECO-11-005150	25MAR11	RK	HMR



Relay - bottom view



xx = Relay type
YYWD = Date code

DRAWING ALIAS C23303-A079-A004

RELEASED FOR PUBLICATION

ALL RIGHTS RESERVED.

THIS DRAWING IS UNPUBLISHED.

BY -
© COPYRIGHT

DIMENSIONS: mm	DWN	Korytak	02Jun2004	MATERIAL	-	FINISH	-
	CHK	Korytak	02Jun2004				
TOLERANCES UNLESS OTHERWISE SPECIFIED: DIN 7168-m	APVD	Korytak	02Jun2004				
0 PLC ±-	PRODUCT SPEC	NAME P2-Relay SMT W Dimensions					
1 PLC ±		SIZE A4 CAGE CODE 00779 DRAWING NO C-1393789-4 RESTRICTED TO -					
2 PLC ±	APPLICATION SPEC	SCALE 4:1 SHEET 1 OF 1 REV C2					
3 PLC ±		CUSTOMER DRAWING					
4 PLC ±	WEIGHT	-					
ANGLES ±-							