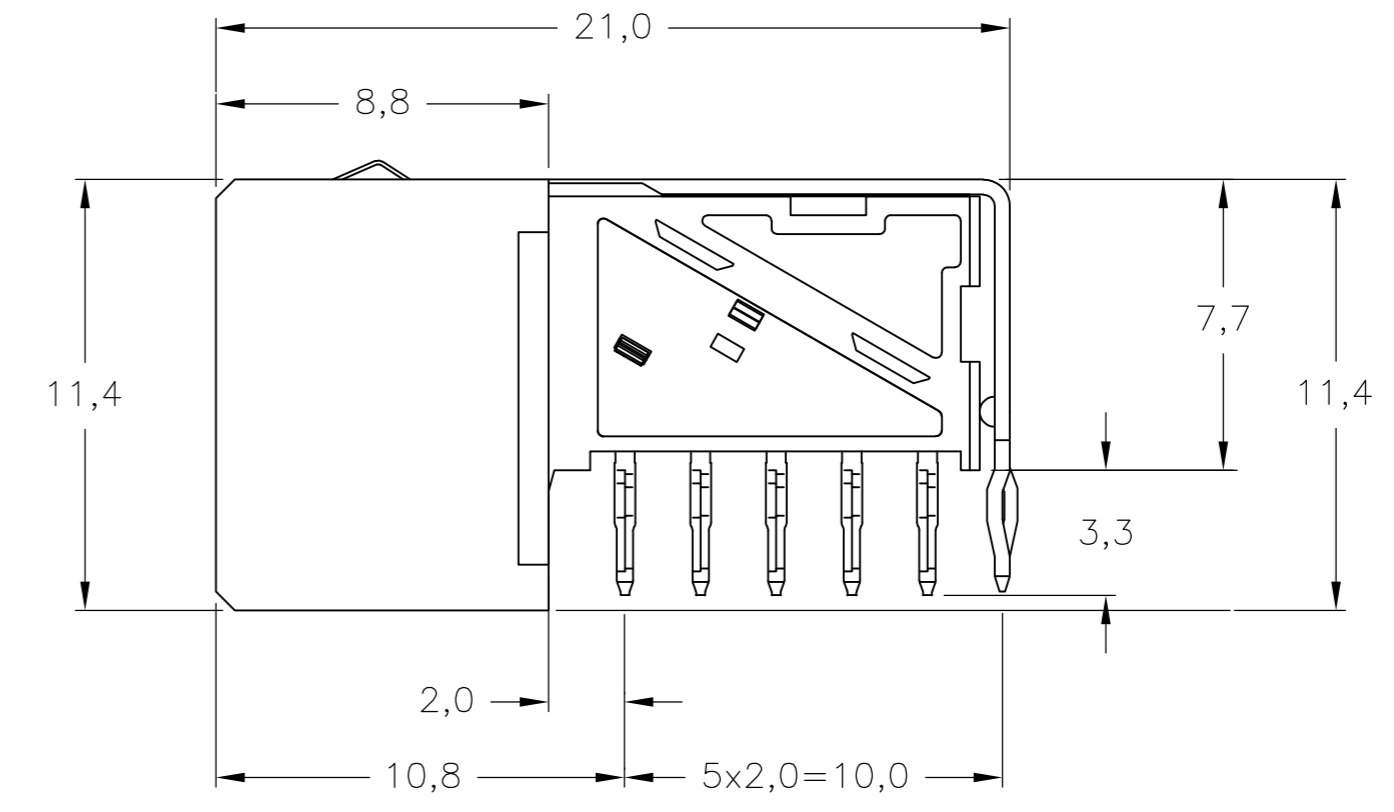
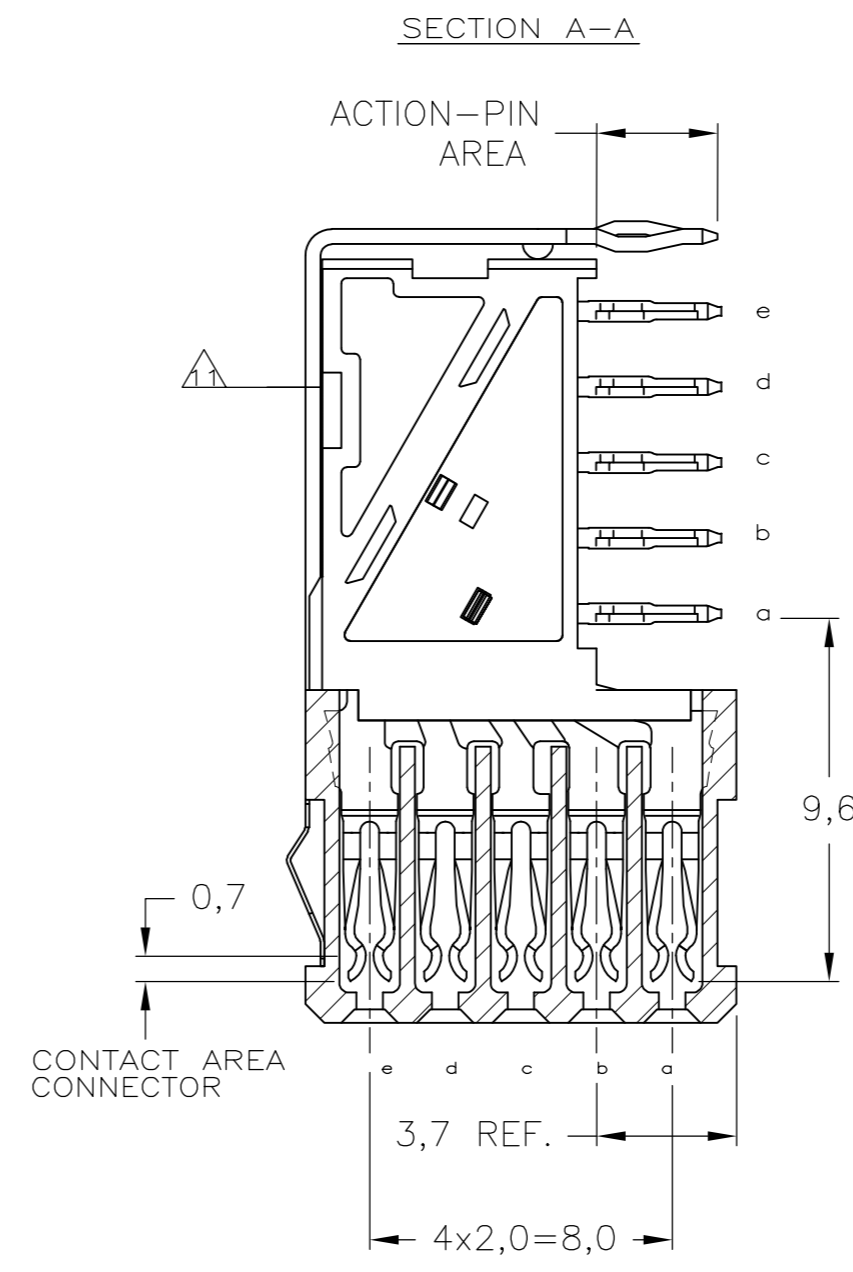
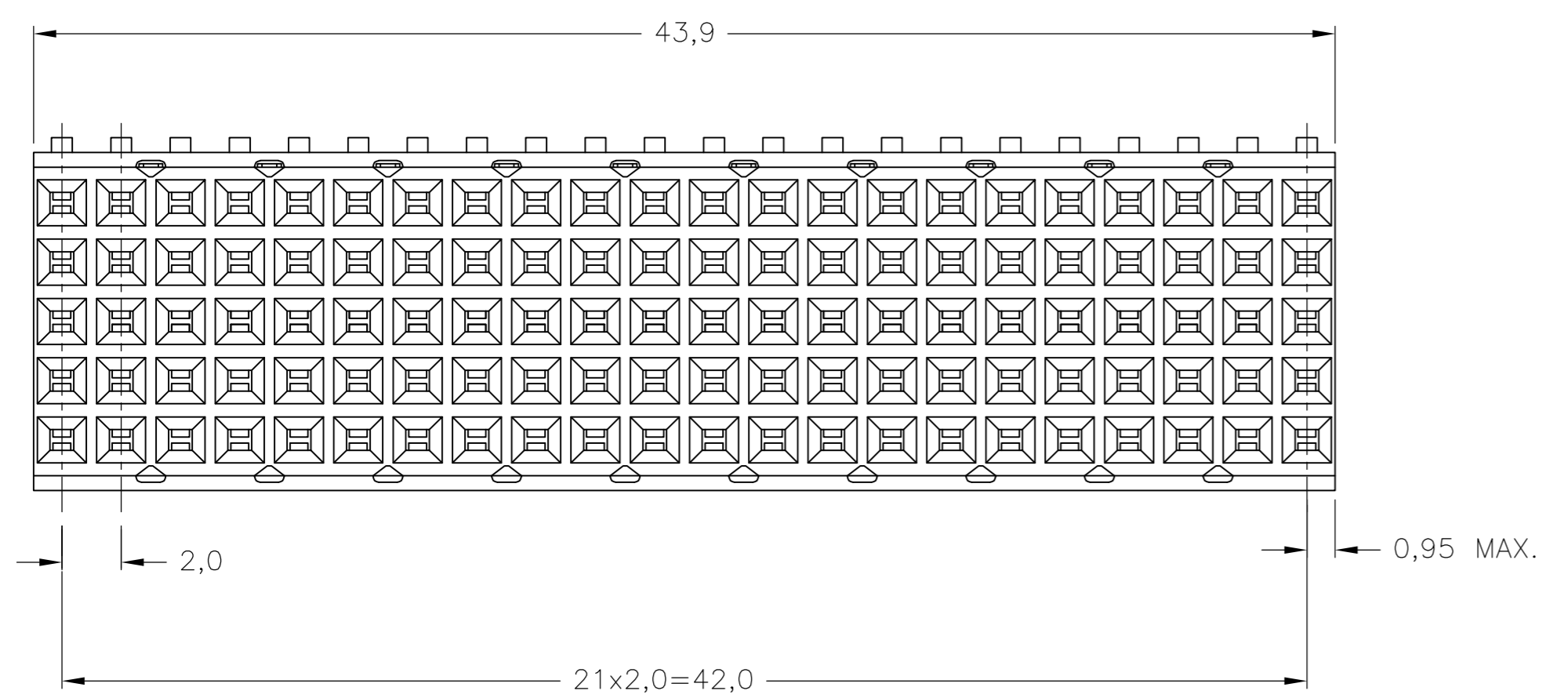
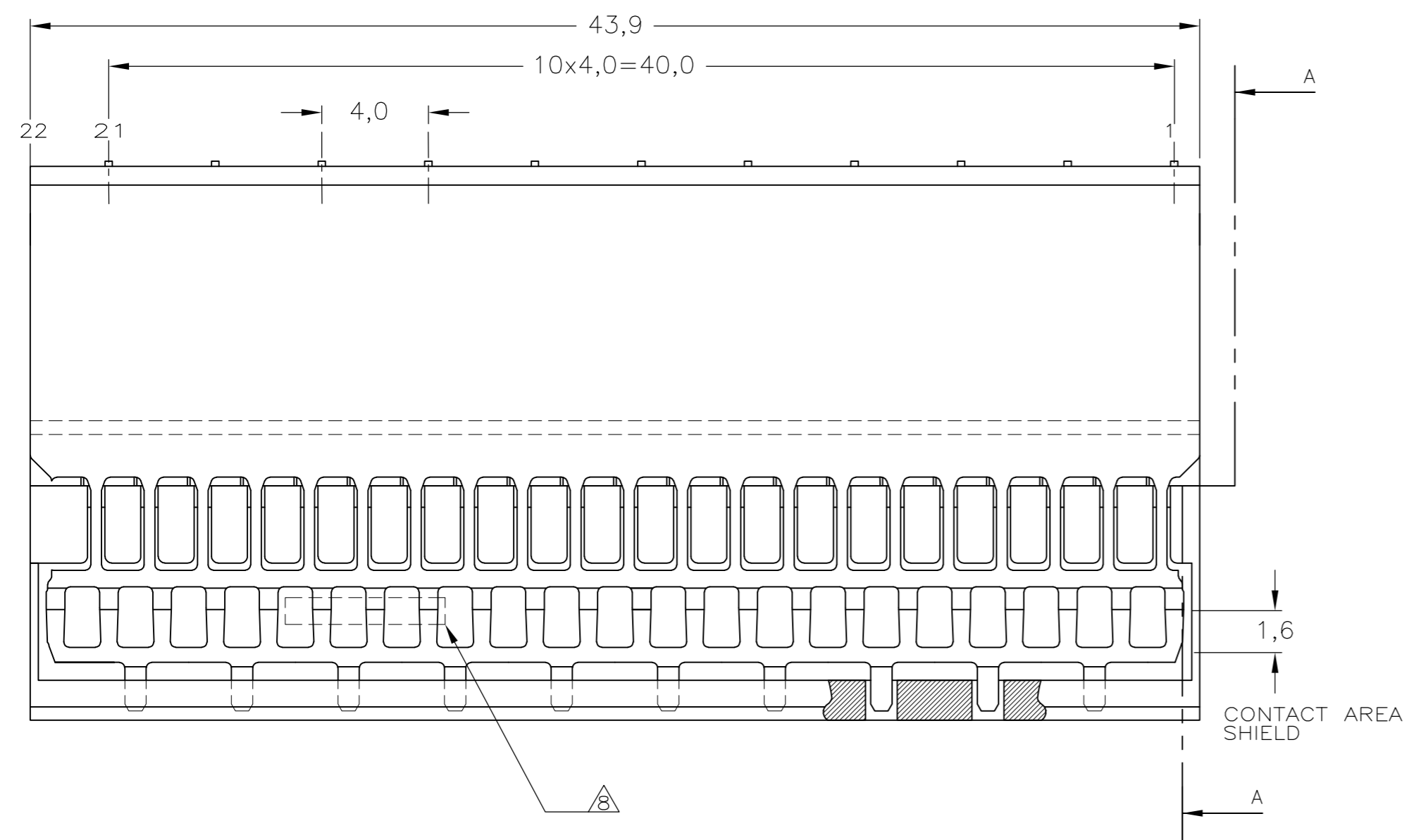


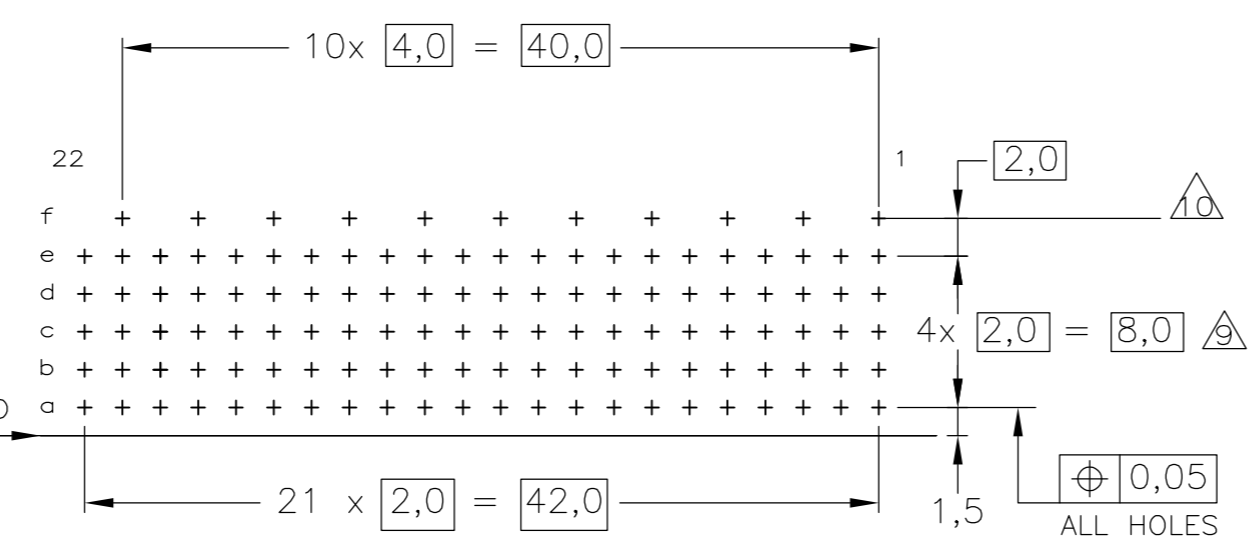
THIS DRAWING IS UNPUBLISHED. RELEASED FOR PUBLICATION
 © COPYRIGHT - By - ALL RIGHTS RESERVED.

Loc		DIST		REVISIONS			
P	LTR	DESCRIPTION	DATE	DWN	APVD		
C1		REVISED PER ECO-11-005033	26MAR11	RK	HMR		



- NOTES:**
- ⚠ MATERIAL CONTACTS; PHOSPHORBRONZE
 - ⚠ MATERIAL HOUSING; GLASSFILLED POLYESTER (GRAY)
 - ⚠ GENERAL PLATING SPECIFICATION: UNDERPLATING (ENTIRE CONTACT):
1,27μm NICKEL MIN. AND ACTION PIN: 0,5μm TIN MIN.
FOR PLATING OF MATING SURFACES SEE APPLICABLE SPECIFICATION REFERENCE FOR EACH DASH NUMBER.
 - ⚠ CONFORMS TO ALL TESTING ACCORDING IEC 61076-4-101 PERFORMANCE LEVEL 2.
 - ⚠ CONFORMS TO ALL TESTING ACCORDING IEC 61076-4-101 PERFORMANCE LEVEL 1.
 - ⚠ CONNECTOR TESTED AND QUALIFIED AGAINST TELCORDIA GR-1217-CORE QUALITY LEVEL III, CENTRAL OFFICE APPLICATIONS.
 - ⚠ CONNECTOR LUBRICATED WITH TELCORDIA GR-1217-CORE APPROVED LUBRICANT.
 - ⚠ PLATING SHIELD:
CONTACT AREA: 0,76μm Au MIN.
ACTION PIN : 0,5μm Sn MIN.
REMAINDER : Ni
 - ⚠ ASSEMBLY PRINTED WITH P/N AND DATECODE
THE MARKING CAN APPEAR ON THE FRONT SIDE OR BACK SIDE.
 - ⚠ HOLE PATTERN FOR FEMALE CONNECTOR TYPE B-22 COLUMNS
110 PLATED-THROUGH HOLES AT 2x2mm SQUARE GRID
 - ⚠ ROW "f" 11 PLATED THROUGH HOLES FOR UPERSHIELD
SHIELD MOUNTED ON CONNECTOR WITH DOUBLE SIDED ADHESIVE TAPE OR ADHESIVE
 - 12 BASIC P.N. LOWERSHIELD : 5352468.
 - ⚠ OBSOLETE PARTS: OBSOLETE CIS STREAMLINING PER D.RENAUD/D.SINISI

COMPONENT SIDE AS SHOWN
 RECOMMENDED PCB-HOLE LAY-OUT
 SCALE 2,5:1



P.C.B. HOLE DIM. ACTION PIN
 FOR DETAILS SEE
 APPLICATION SPECIFICATION

⚠ OBSOLETE	⚠ ⚠ ⚠	⚠	5352152-9
	⚠ ⚠ ⚠	⚠	5352152-4
	⚠ ⚠ ⚠	⚠	5352152-1
	FINISH	MATERIAL	PART NUMBER

THIS DRAWING IS A CONTROLLED DOCUMENT.

DIMENSIONS: mm	TOLERANCES UNLESS OTHERWISE SPECIFIED: ±0.2	DWN: K.N.KIRAN 20AUG2004	
		CHK: B.MOOIJ 27OCT2004	
		APVD: B.MOOIJ 27OCT2004	
		PRODUCT SPEC: 108-19082	
MATERIAL: -	FINISH: -	APPLICATION SPEC: 114-19029	NAME: Z-PACK 2mm HM TYPE B - 22 COLUMNS PRE-SHIELDED RECEPTACLE
		WEIGHT: -	SIZE: A2 CAGE CODE: 00779 DRAWING NO: C=5352152 RESTRICTED TO: -
		CUSTOMER DRAWING	SCALE: 5:1 SHEET: 1 of 1 REV: C1