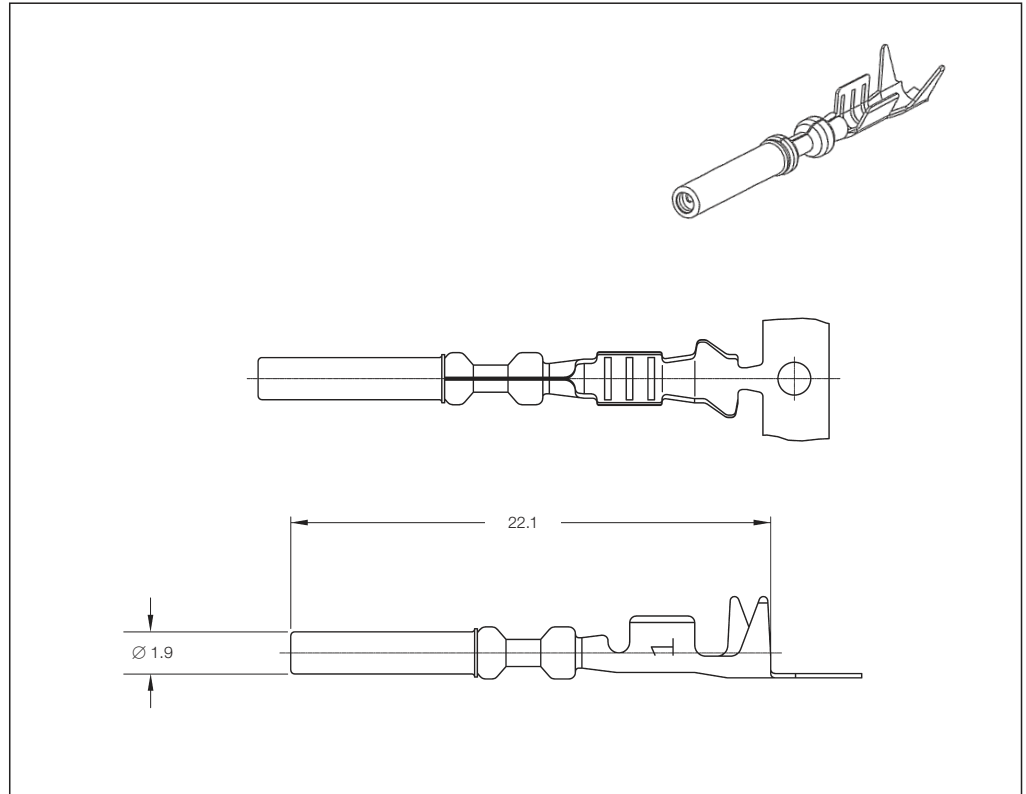


Receptacle Contacts and Cavity Plug

**Technical Features**

- Wire Size Range:**  
0.5 up to 1.25 mm<sup>2</sup>
- Insulation Diameter:**  
1.6–2.2 mm  
(Larger allowed on limited basis,  
contact Product Engineering)
- Contact Material:**  
Copper Alloy
- Contact Finish:**  
Gold over Nickel (contact part)  
Tin over Nickel (crimp area)
- Housing Material:**  
PBT/PET
- Temperature Range:**  
–40 °C up to +125 °C
- Current Carrying Capacity:**  
See Product Specification
- Product Specification:**  
108-78140
- Application Specification:**  
114-78011, 114-78013



**1.0 mm Receptacle Contacts**

Wire Size Range (mm <sup>2</sup> )	Insulation Diameter (mm)	Material and Finish	Part Numbers				Applicator	Hand Tool
			Strip Form	Package Quantity	Loose-Piece	Package Quantity		
0.5	1.6–2.2	Copper Alloy Gold over Nickel (Contact Part) Tin over Nickel (Crimp Area)	3-1447221-4	–	–	–	1463174-2	1454509-2
0.75–0.85	1.6–2.4	Copper Alloy Gold over Nickel (Contact Part) Tin over Nickel (Crimp Area)	3-1447221-3	–	–	–	1463173-2	1454509-1
1.25	1.9–2.2	Copper Alloy Gold over Nickel (Contact Part) Tin over Nickel (Crimp Area)	3-1447221-3	–	–	–	–	1454509-1

**Note:** All part numbers are RoHS and ELV compliant.

**Cavity Plug**

Part No. **4-1437284-3**

