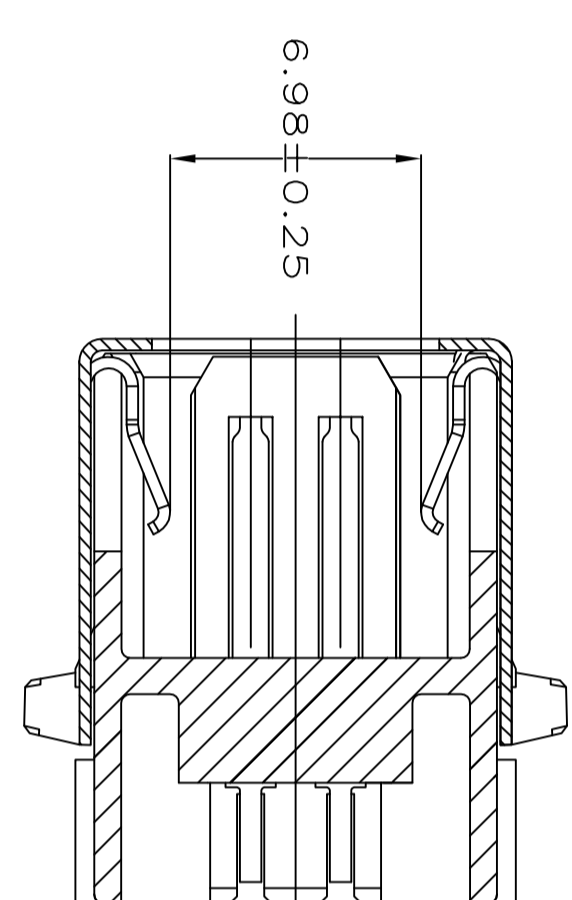
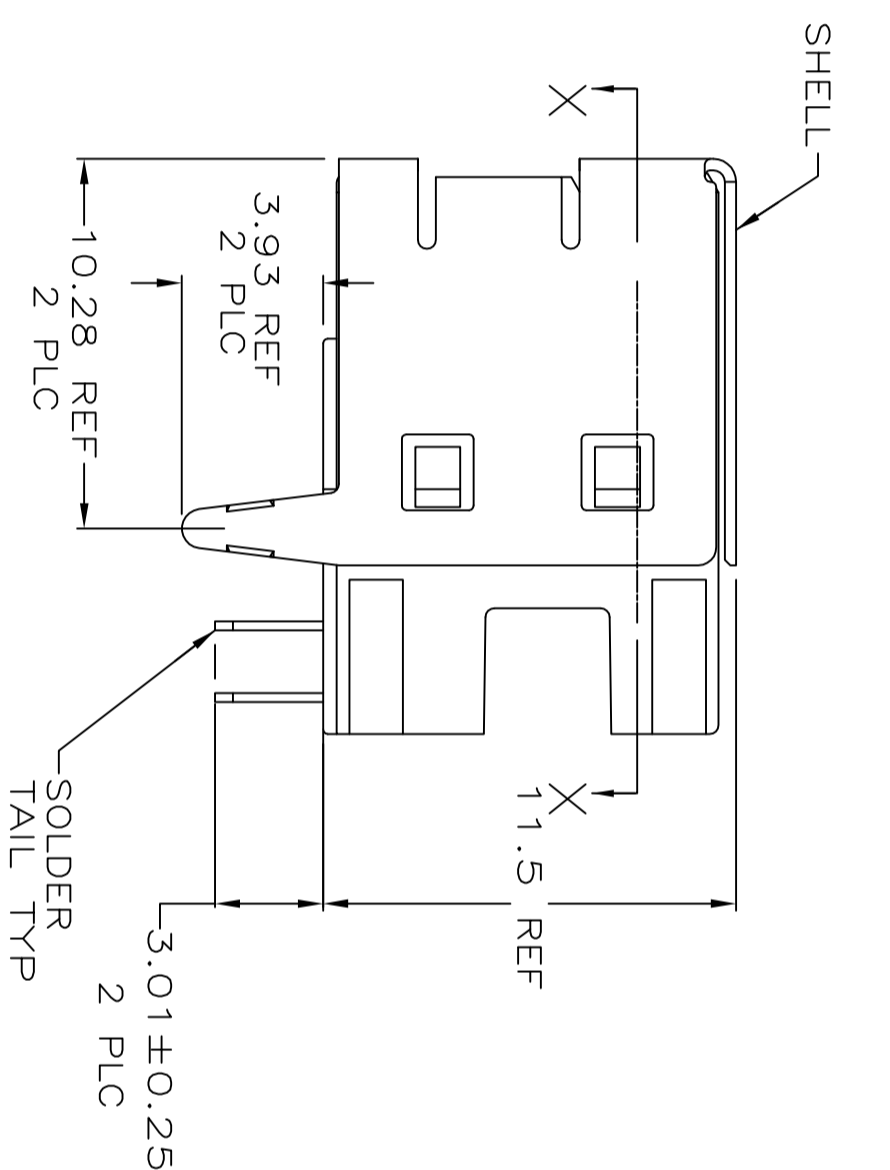
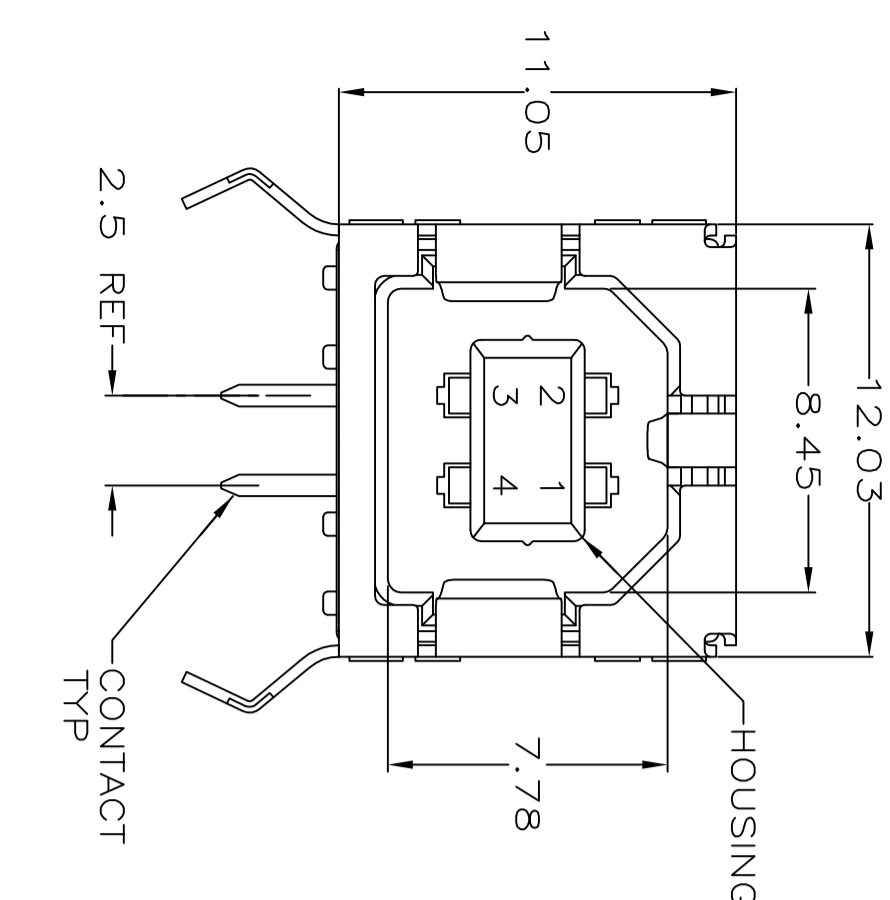


PC BOARD MOUNTING DIMENSIONS  $\Delta 4$



SECTION X-X

- $\Delta 1$  MATERIAL:  
SHELL & CONTACTS: COPPER ALLOY.  
HOUSING: UL 94V-0 RATED, THERMOPLASTIC, BLACK.
- $\Delta 2$  PLATING:  
CONTACTS: 0.076 $\mu$ m MINIMUM GOLD OVER 0.76 $\mu$ m MINIMUM PALLADIUM-NICKEL ON MATING AREA.  
3.8 $\mu$ m MINIMUM MATTE TIN ON SOLDER TAILS.  
BOTH OVER 1.27 $\mu$ m MINIMUM NICKEL.  
CONTACT ALTERNATE PLATING: 0.76 $\mu$ m MIN GOLD ON MATING AREA, 3.8 $\mu$ m MIN MATTE TIN ON SOLDER TAILS, BOTH OVER 1.27 $\mu$ m MIN NICKEL.
- $\Delta 3$  SHELL: 2.0~5.0 $\mu$ m MINIMUM TIN.  
DATUM AND BASIC DIMENSIONS ESTABLISHED BY CUSTOMER.
- $\Delta 4$  RECOMMENDED PC BOARD THICKNESS OF 1.57.
- $\Delta 5$  PLATING:  
CONTACTS: 0.76 $\mu$ m MINIMUM GOLD ON MATING AREA,  
3.8 $\mu$ m MINIMUM MATTE TIN ON SOLDER TAILS,  
BOTH OVER 1.27 $\mu$ m MINIMUM NICKEL.  
SHELL: 2.0~5.0 $\mu$ m MINIMUM TIN.
- $\Delta 6$  PLATING:  
CONTACTS: 0.38 $\mu$ m MINIMUM GOLD ON MATING AREA,  
3.8 $\mu$ m MINIMUM MATTE TIN ON SOLDER TAILS,  
BOTH OVER 1.27 $\mu$ m MINIMUM NICKEL.  
SHELL: 2.0~5.0 $\mu$ m MINIMUM TIN.
- 7 RECOMMEND:  
MATING FORCE: 35N MAX.  
UNMATING FORCE: 13N MIN.  
RECOMMENDED MATING PLUG SHOULD MEET USB2.0 STANDARD.

6	NO	BLACK	292304-5
5	NO	BLACK	292304-4
2	YES	BLACK	292304-3
2	YES	NATURAL	292304-2
2	NO	BLACK	292304-1
PLATING		HIGH TEMPERATURE COMPATIBLE	PART NUMBER

DIMENSIONS:		TOLERANCES UNLESS OTHERWISE SPECIFIED:	
mm		mm	
0 PLC	±0.1	0 PLC	±0.1
1 PLC	±0.1	1 PLC	±0.1
2 PLC	±0.1	2 PLC	±0.1
3 PLC	±0.1	3 PLC	±0.1
4 PLC	±0.1	4 PLC	±0.1
FINISHES		FINISHES	
1		2	
MATERIAL		MATERIAL	
1		2	
CUSTOMER DRAWING		CUSTOMER DRAWING	
A2 00779		A2 00779	
CAGE CODE		CAGE CODE	
292304		292304	
SCALE		SCALE	
5:1		5:1	
SHEET		SHEET	
1		1	
OF		OF	
1		1	
REV		REV	
D2		D2	

292304