

THIS DRAWING IS UNPUBLISHED.

RELEASED FOR PUBLICATION

20

© COPYRIGHT 20 BY -

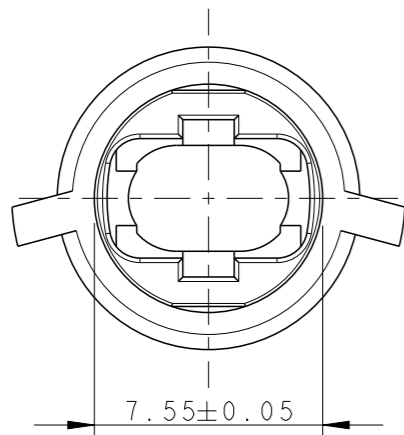
ALL RIGHTS RESERVED.

LOC -

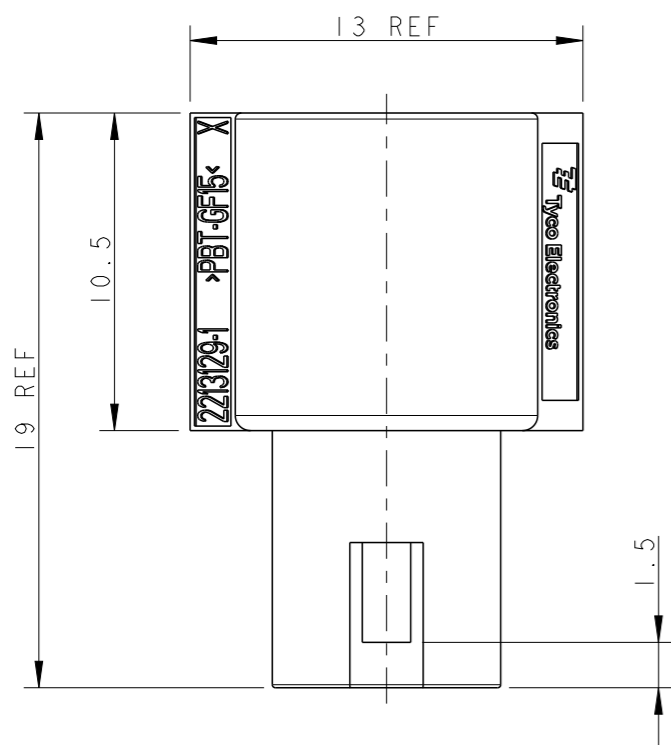
DIST -

REVISIONS

P	LTR	DESCRIPTION	DATE	DWN	APVD
	A	REVISED PER ECR-13-000948	06FEB2013	RS	DD



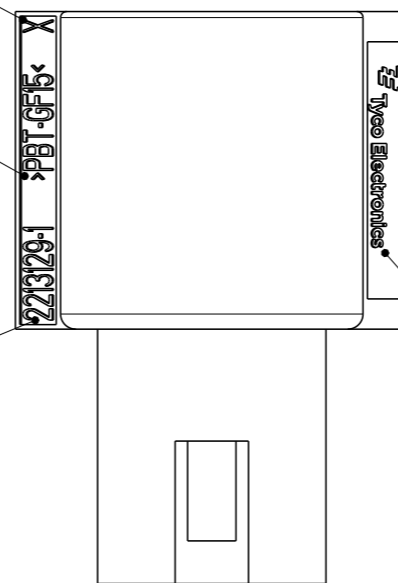
⚠ MATERIAL: PBT-GF15
COLOR: WHITE



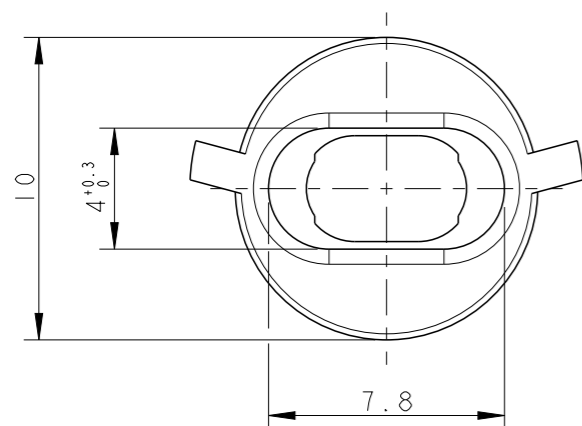
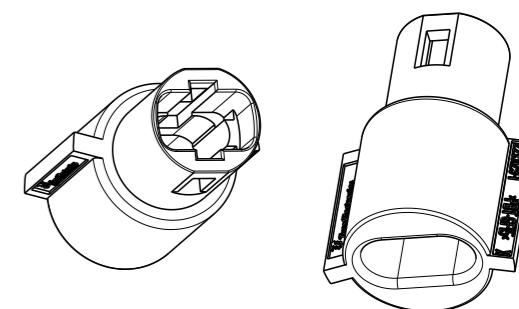
MOLD CAVITY ID

RAW MATERIAL


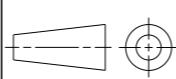

TE PART NUMBER



TE LOGO



2213129-1
PART NO

THIS DRAWING IS A CONTROLLED DOCUMENT.		DWN RAVI.S 14SEP2012	 TE Connectivity	
DIMENSIONS: mm		CHK D.DECKER 14SEP2012		
TOLERANCES UNLESS OTHERWISE SPECIFIED:		APVD D.DECKER 14SEP2012	NAME	
0 PLC ±.5 1 PLC ±0.5 2 PLC ±0.13 3 PLC ±0.02 4 PLC ±. ANGLES ±0.5°		PRODUCT SPEC -	MINI HVL LIGHTING SYSTEM 7.5mm CHASSIS MOUNT HOUSING SUPPORT FOR SPT-2 WIRE.	
MATERIAL -		FINISH -	APPLICATION SPEC -	RESTRICTED TO -
		WEIGHT -	SIZE A300779	CAGE CODE C-2213129
		Customer Drawing	SCALE 4:1	SHEET 1 OF 1 REV A