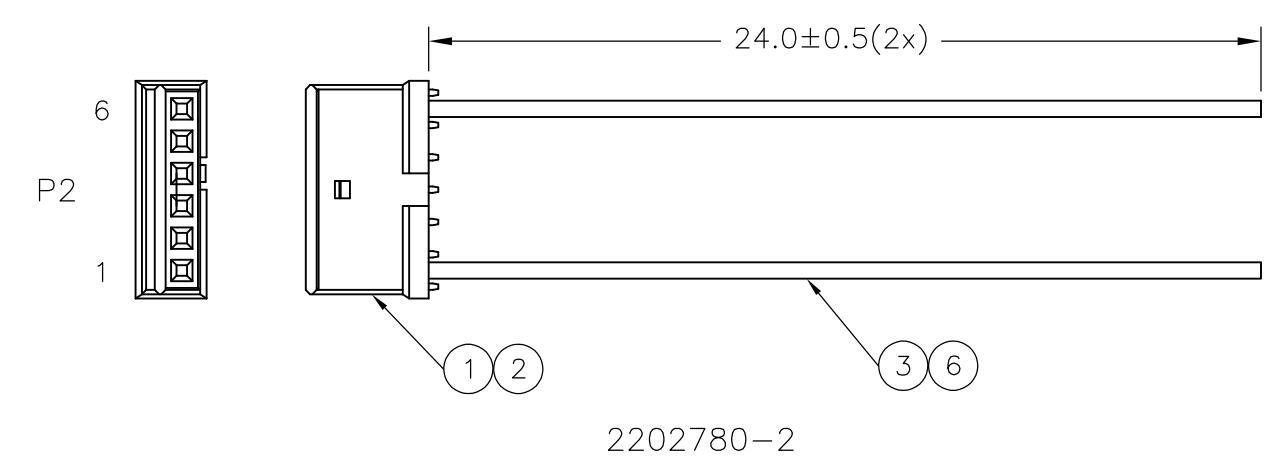
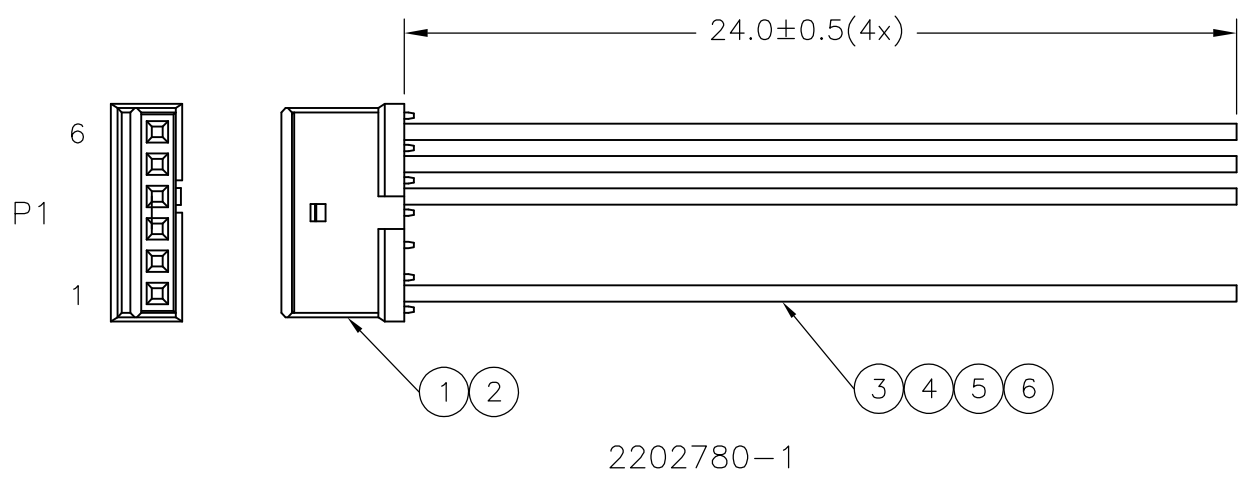


THIS DRAWING IS UNPUBLISHED. RELEASED FOR PUBLICATION
 © COPYRIGHT - By - ALL RIGHTS RESERVED.

LOC	DIST	REVISIONS					
GP	00	P	LTR	DESCRIPTION	DATE	DWN	APVD
			B	ECO-13-003339	25FEB2013	JX	DM



WIRING DIAGRAM(2202780-1)

FROM	COLOR	TO
P1-1	BLACK	NC
P1-4	RED	NC
P1-5	GREEN	NC
P1-6	WHITE	NC

WIRING DIAGRAM(2202780-2)

FROM	COLOR	TO
P2-1	BLACK	NC
P2-6	WHITE	NC

TE P/N	CUSTOMER P/N	REV.
2202780-1	-	-
2202780-2	-	-

REV	DESCRIPTION	ITEM		
AR	AR	MR	UL1061, FOR 24AWG, Ø1.10MM, WHITE	6
-	AR	MR	UL1061, FOR 24AWG, Ø1.10MM, GREEN	5
-	AR	MR	UL1061, FOR 24AWG, Ø1.10MM, RED	4
AR	AR	MR	UL1061, FOR 24AWG, Ø1.10MM, BLACK	3
2	4	PC	TERMINAL, FOR 24-30AWG, INSUL RANGE: 0.9~1.5MM.	2
1	1	PC	EMIX CONN., 1.5mm PITCH, RCPT, HSG, 6P	1
-2	-1	U/M		

PRODUCT AND PROCESSING MUST MEET REQUIREMENTS OF TE CONNECTIVITY ENVIRONMENTAL STANDARD TEC-138-702

THIS DRAWING IS A CONTROLLED DOCUMENT.

DIMENSIONS: INCHES	TOLERANCES UNLESS OTHERWISE SPECIFIED:
	0 PLC ± -
	1 PLC ± -
	2 PLC ± -
	3 PLC ± -
	4 PLC ± -
	ANGLES ± -
MATERIAL	FINISH
-	-

DWN	21OCT2012	TE Connectivity	
CHK	JASON XUE	CABLE ASSY, EMIX CONN TO PIGTAIL	
APVD	-	-	
PRODUCT SPEC	-	-	
APPLICATION SPEC	-	-	
WEIGHT	-	SIZE	RESTRICTED TO
CUSTOMER DRAWING	A3	CAGE CODE 00779	DRAWING NO C-2202780
SCALE	N.T.S.	SHEET	REV
		1 OF 1	B