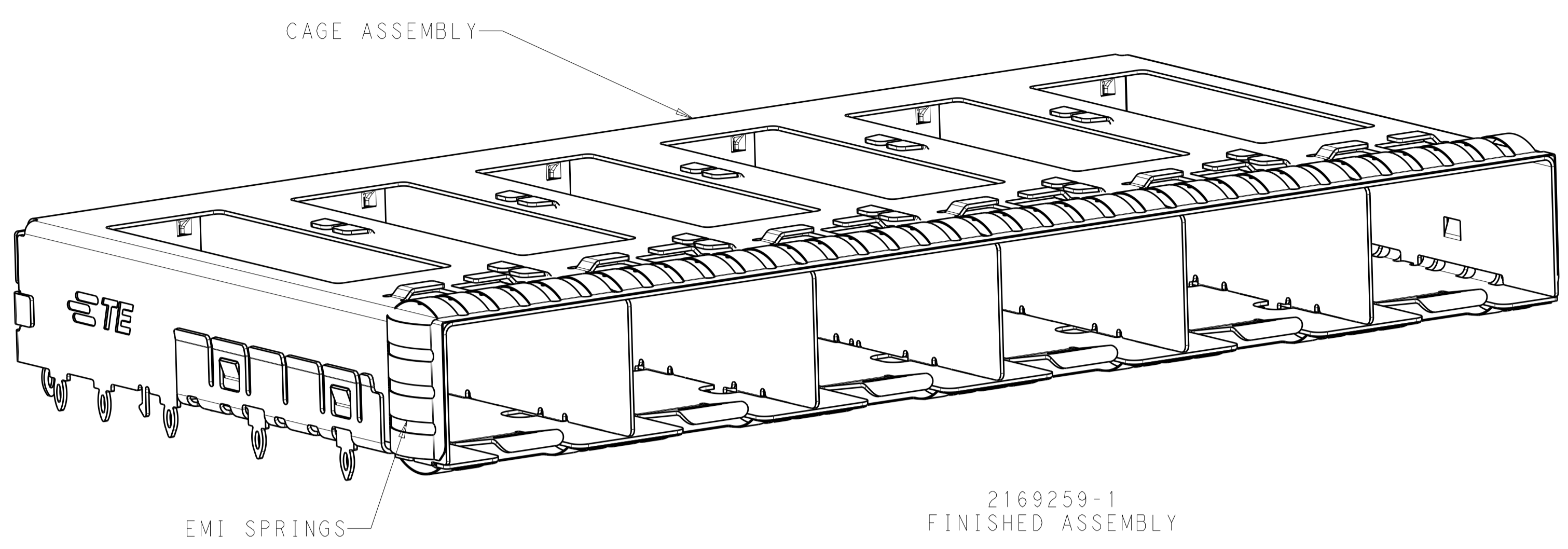
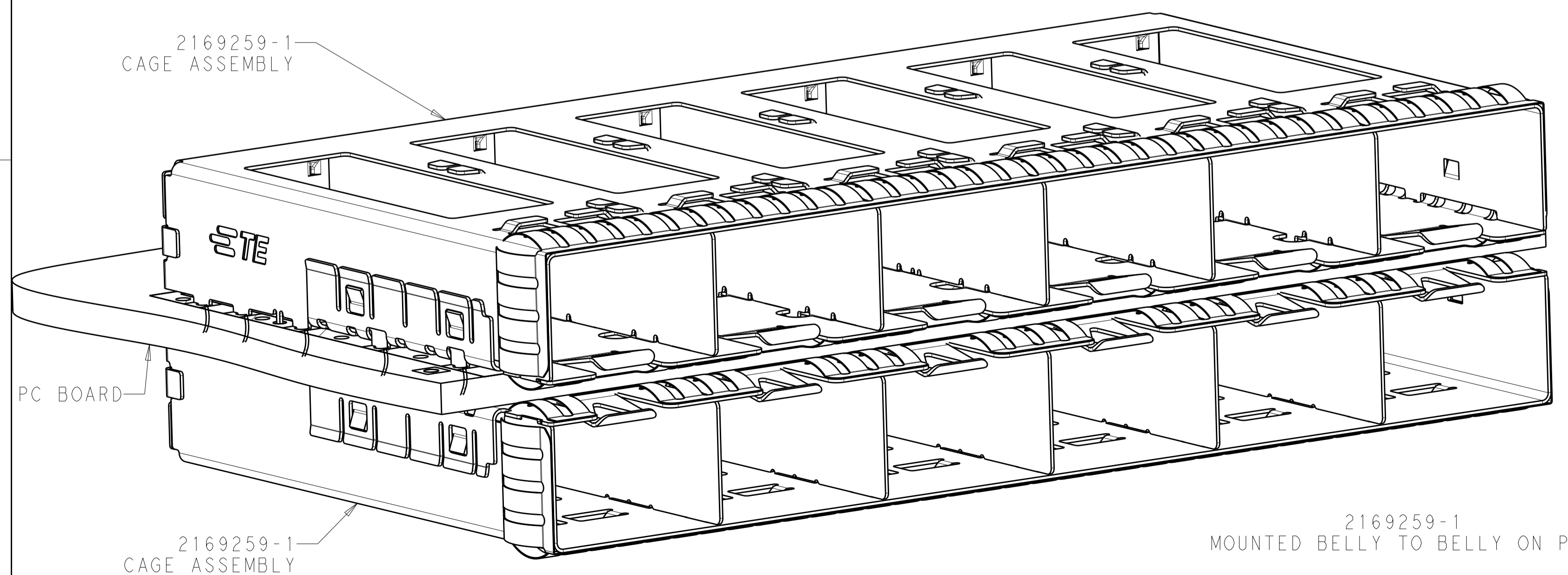
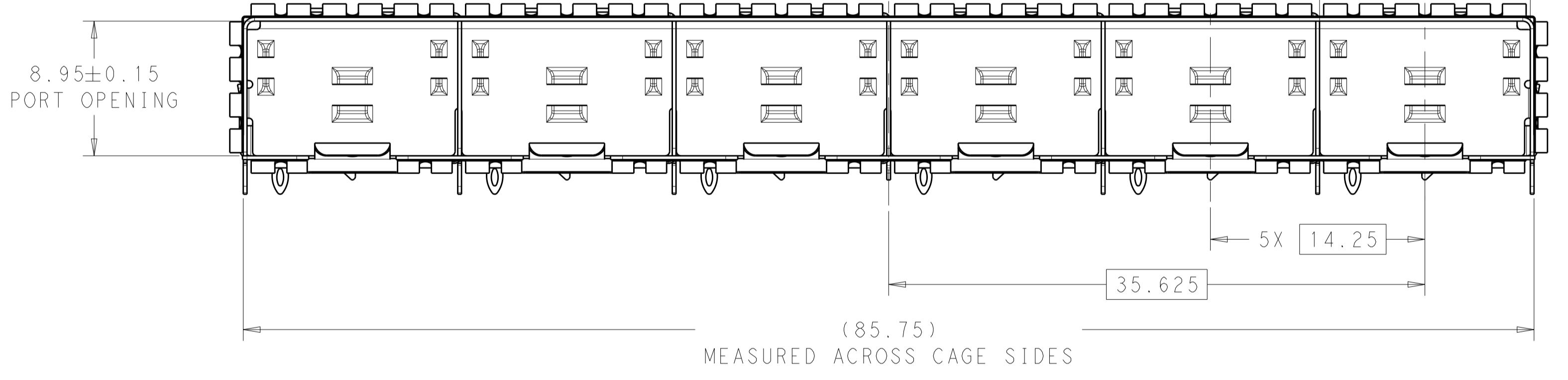
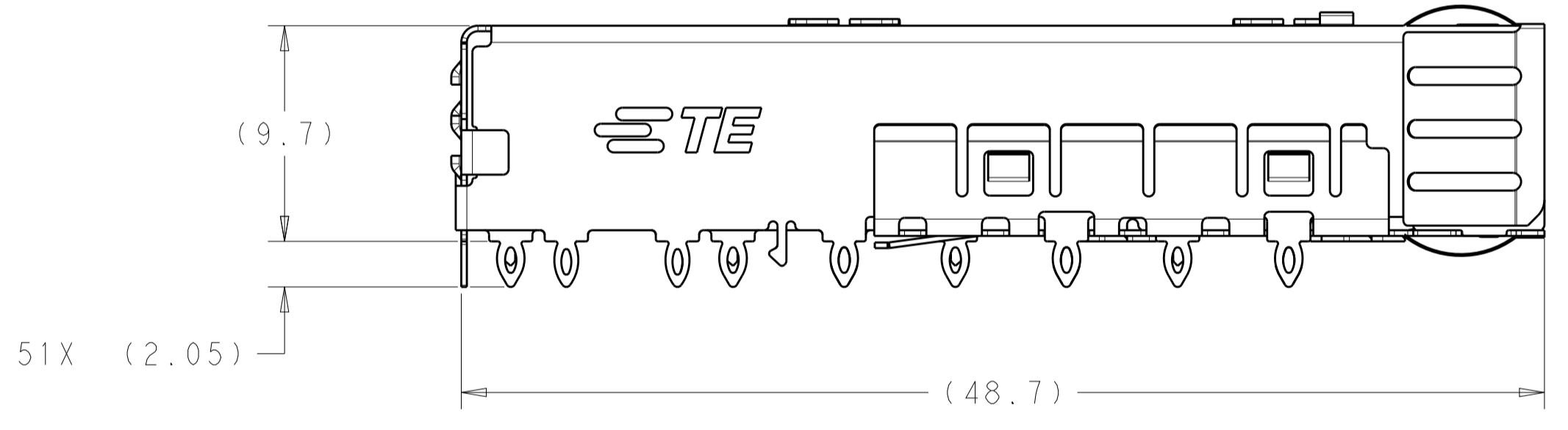


LOC	DIST	REVISIONS					
GP	00	P	LTN	DESCRIPTION	DATE	DWN	APVD
		A		RELEASED PER ECO-12-013192	18OCT2012	BMM	MRS



2169259-1
FINISHED ASSEMBLY

- 1. MATERIAL: 0.25mm THICK NICKEL SILVER ALLOY.
EMI SPRINGS: COPPER ALLOY.
- 2. FINISH:
SPRINGS: MINIMUM OF 0.8um TIN PLATE OVER A MINIMUM OF 0.8um NICKEL UNDERPLATE.
NON-PLATED EDGES PERMISSIBLE.
- 3. MATES WITH SFP MSA COMPLIANT TRANSCEIVERS.
- 4. PADS AND VIAS CHASSIS GROUND.
- 5. INTERPRETATION OF DATUM REFERENCE FRAME IN ACCORDANCE WITH SECT 4.4.1.1 OF ASME Y14.5M-1994.
- 6. MINIMUM PC BOARD THICKNESS:
SINGLE SIDED = 1.50mm
DOUBLE SIDED = 2.25mm
- 7. HOLE PATTERN REPEATS FOR EACH PORT. SPACING BETWEEN PORTS IS 14.25mm.
- 8. DATUM AND BASIC DIMENSION ESTABLISHED BY CUSTOMER.
- 9. REFERENCE APPLICATION SPEC. 114-13120, HOLE A, FOR RECOMMENDED DRILL HOLE DIAMETER AND PLATING THICKNESS.
- 10. REFERENCE APPLICATION SPEC. 114-13120, HOLE B, FOR RECOMMENDED DRILL HOLE DIAMETER AND PLATING THICKNESS.
- 11. CERTAIN MATING TRANCEIVERS MAY REQUIRE ADDITIONAL PCB THICKNESS THAT WOULD BE DETERMINED BY THE CUSTOMER.
- 12. PRODUCT COMPLIES WITH SPECIFICATION SFF-8433 IMPROVED PLUGGABLE FORM FACTOR FOR SFP+ GANGED CAGES.



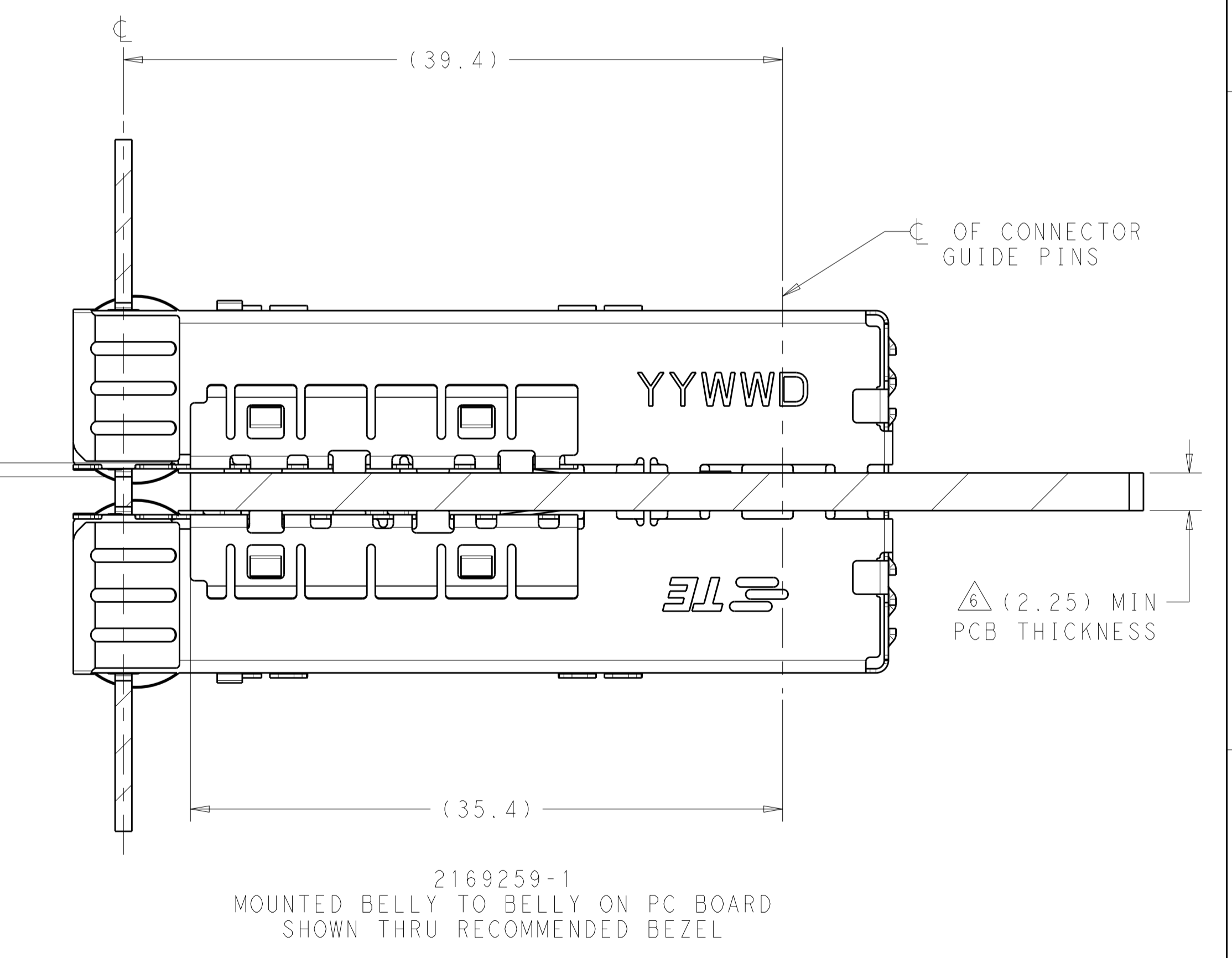
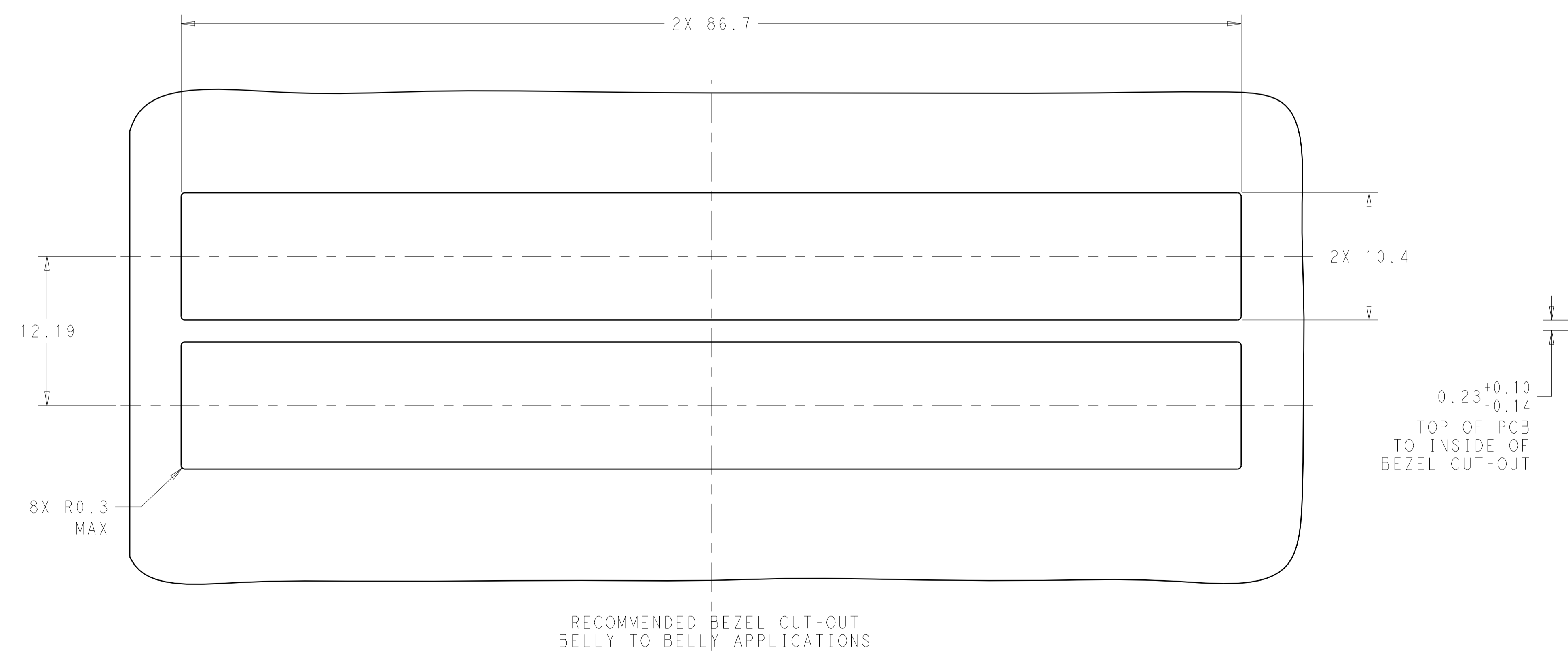
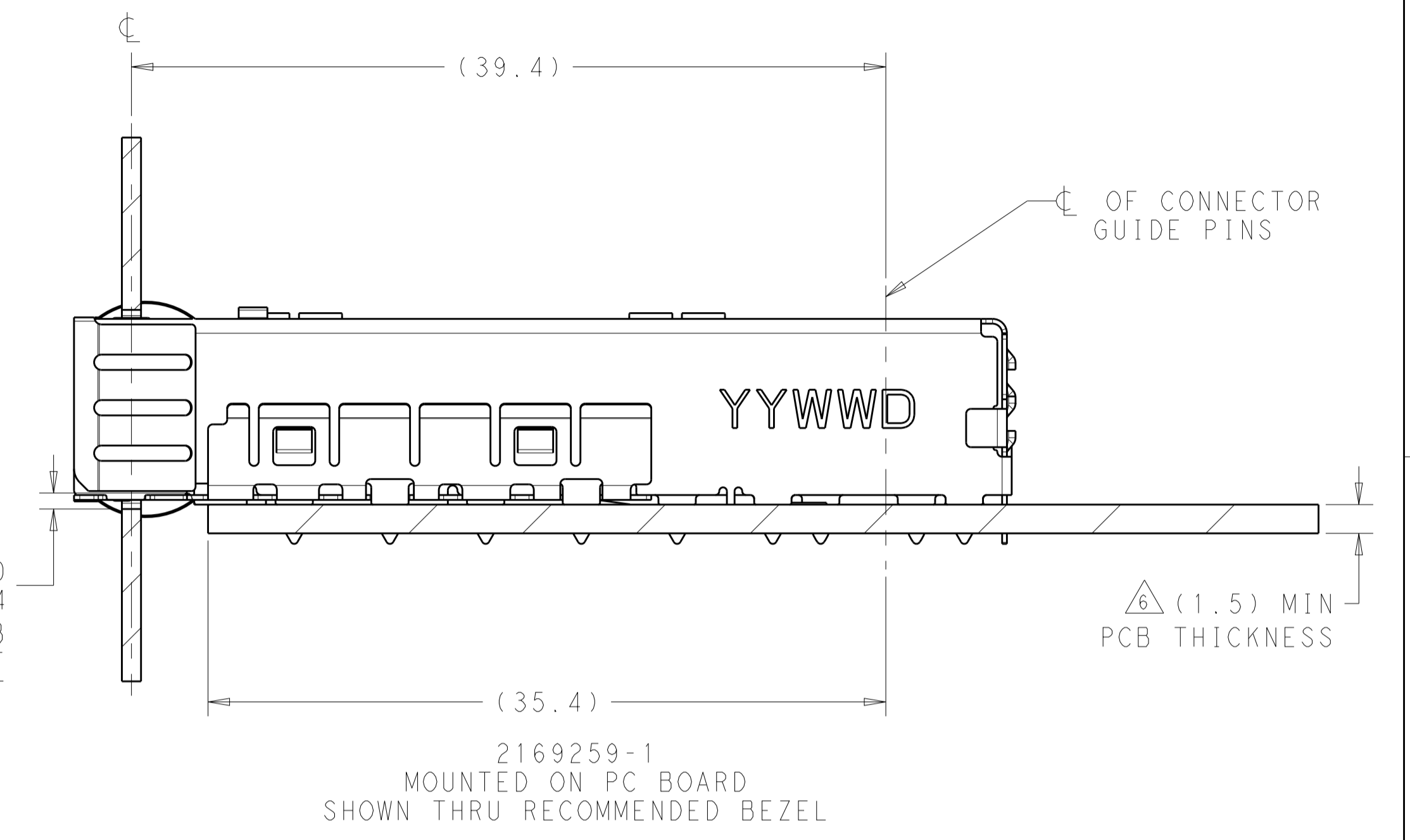
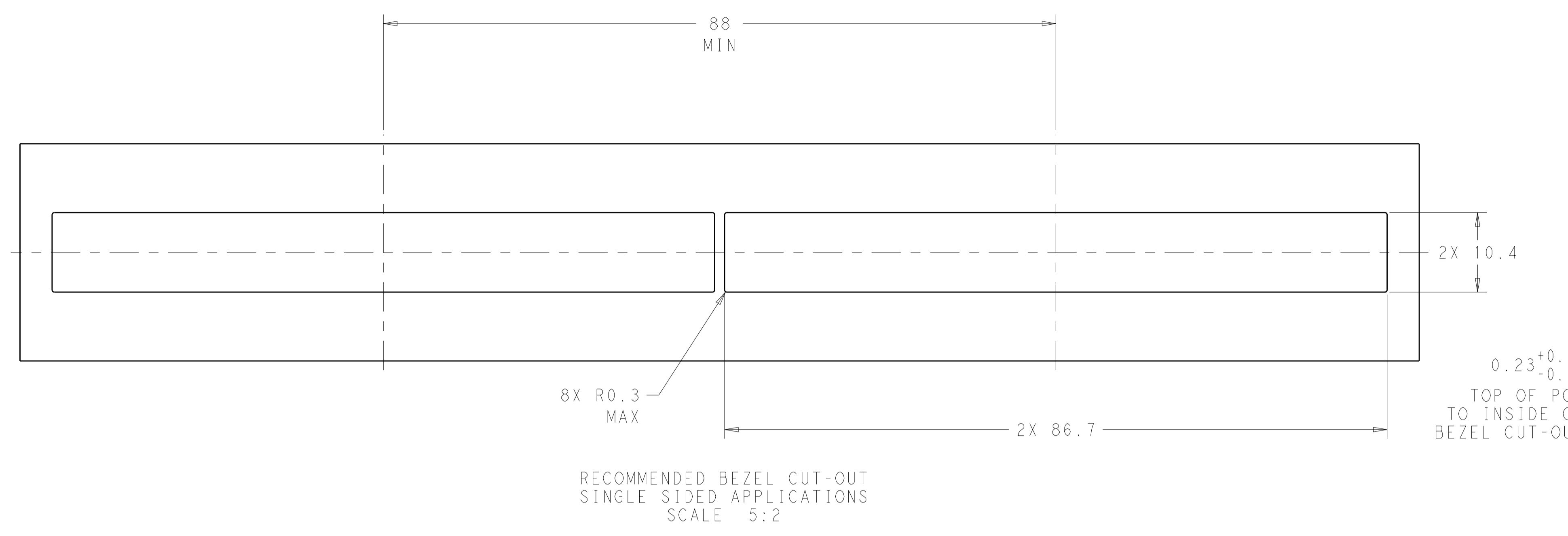
2169259-1
MOUNTED BELLY TO BELLY ON PCB

2169259-1
PART NUMBER

THIS DRAWING IS A CONTROLLED DOCUMENT.		DWN B. MATTHEWS 30SEP2010	TE Connectivity
DIMENSIONS:		CHK M. SCHMITT 30SEP2010	
TOLERANCES UNLESS OTHERWISE SPECIFIED:		APVD M. SCHMITT 30SEP2010	NAME SFP+ ENHANCED 1X6 CAGE SUBASSEMBLY PRESS FIT, EXTERNAL EMI SPRINGS
mm		PRODUCT SPEC	
0 PLC	±0.1	108-2364	SIZE CAGE CODE DRAWING NO A100779C=2169259
1 PLC	±0.1	APPLICATION SPEC	
2 PLC	±0.1	114-13120	RESTRICTED TO Customer Drawing
3 PLC	±0.1	WEIGHT	
4 PLC	±0.1	SCALE 4:1	SHEET 1 OF 4 REV A
ANGLES	±1*		
MATERIAL			
FINISH			

LOC	DIST	REV	DATE	BY	APPV
GP	00				

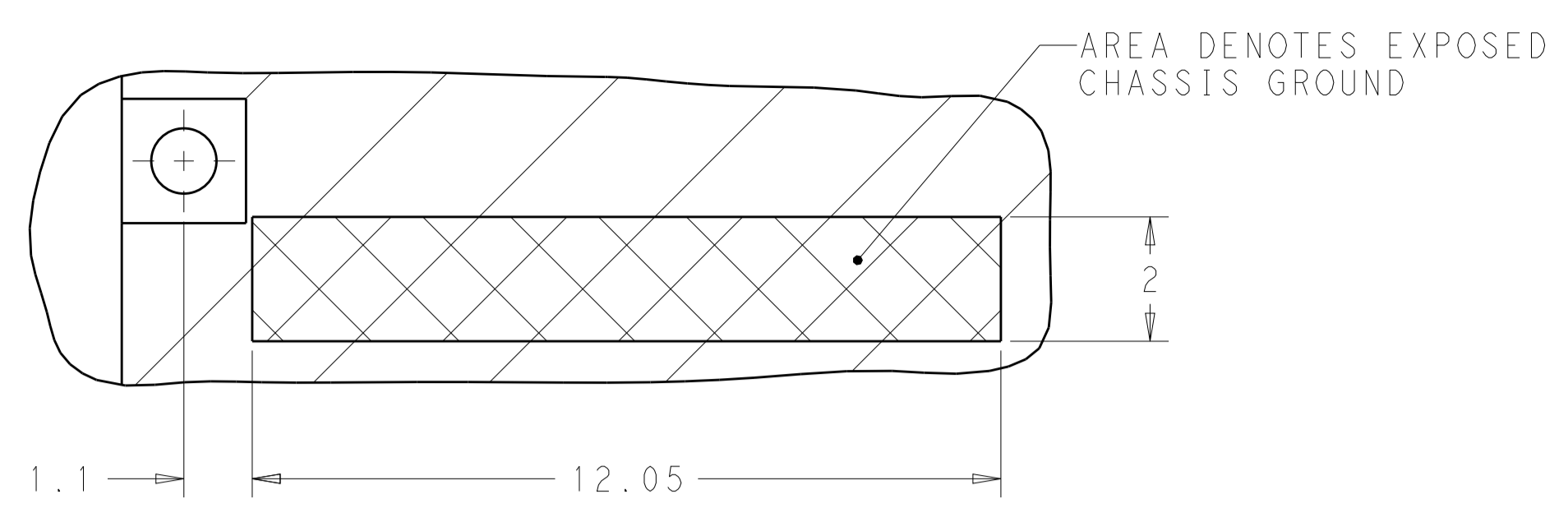
REVISIONS			
REV	DATE	BY	APPV
-	-	-	-
SEE SHEET 1			



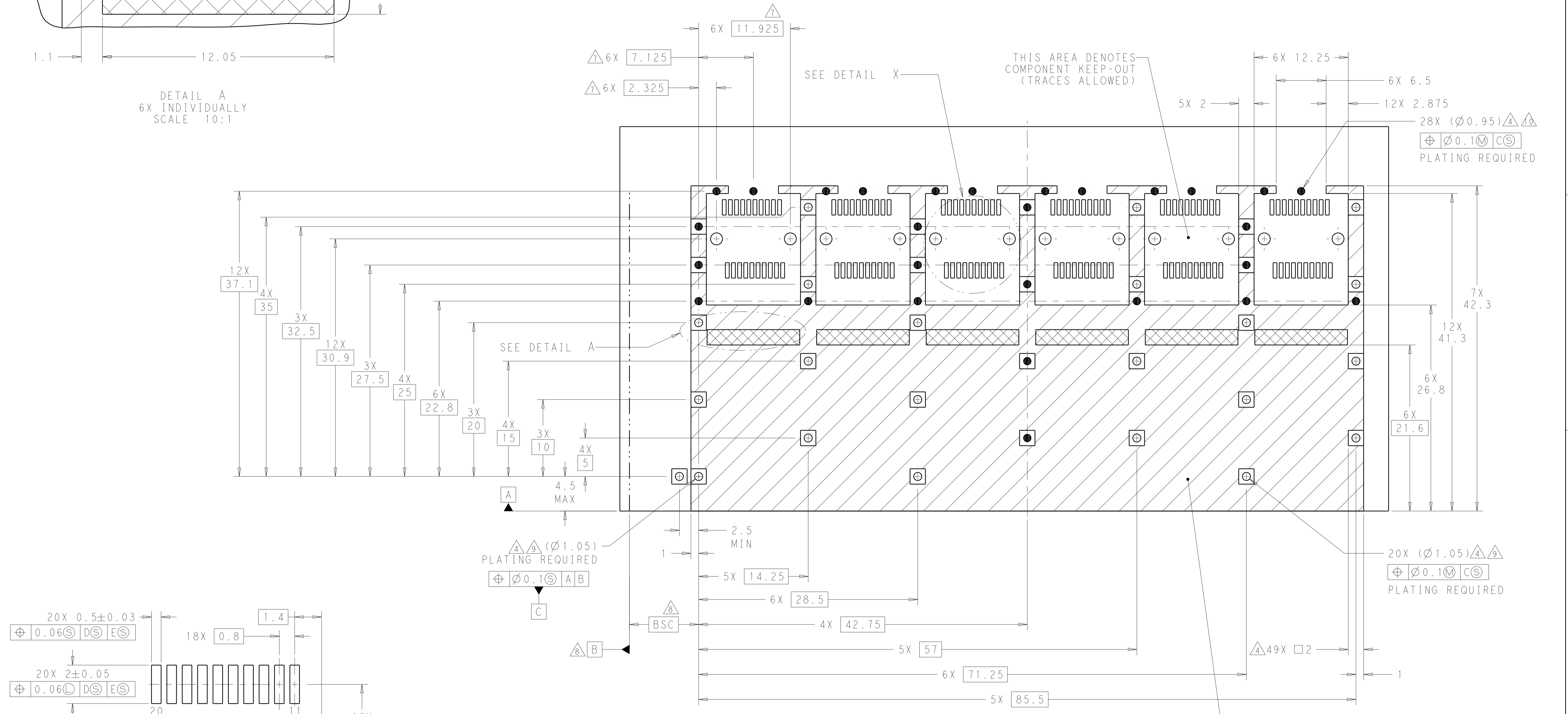
THIS DRAWING IS A CONTROLLED DOCUMENT.		OWN B. MATTHEWS 30SEP2010	 TE Connectivity
DIMENSIONS:		CHK M. SCHMITT 30SEP2010	
mm	TOLERANCES UNLESS OTHERWISE SPECIFIED:	APVD M. SCHMITT 30SEP2010	NAME STP+ ENHANCED 1X6 CAGE SUBASSEMBLY PRESS FIT, EXTERNAL EMI SPRINGS
0 PLC ±0.1	1 PLC ±0.1	PRODUCT SPEC	SIZE CAGE CODE DRAWING NO
2 PLC ±0.1	3 PLC ±0.1	108-2364	RESTRICTED TO
4 PLC ±0.1	ANGLES ±0.1	APPLICATION SPEC	114-13120
MATERIAL	FINISH	WEIGHT	A100779C=2169259
		Customer Drawing	SCALE 4:1 SHEET 2 OF 4 REV A

LOC	DIST	REV	DATE	BY	APPV
GP	00				

REVISIONS			
REV	DATE	BY	APPV
-	-	-	-
SEE SHEET 1			

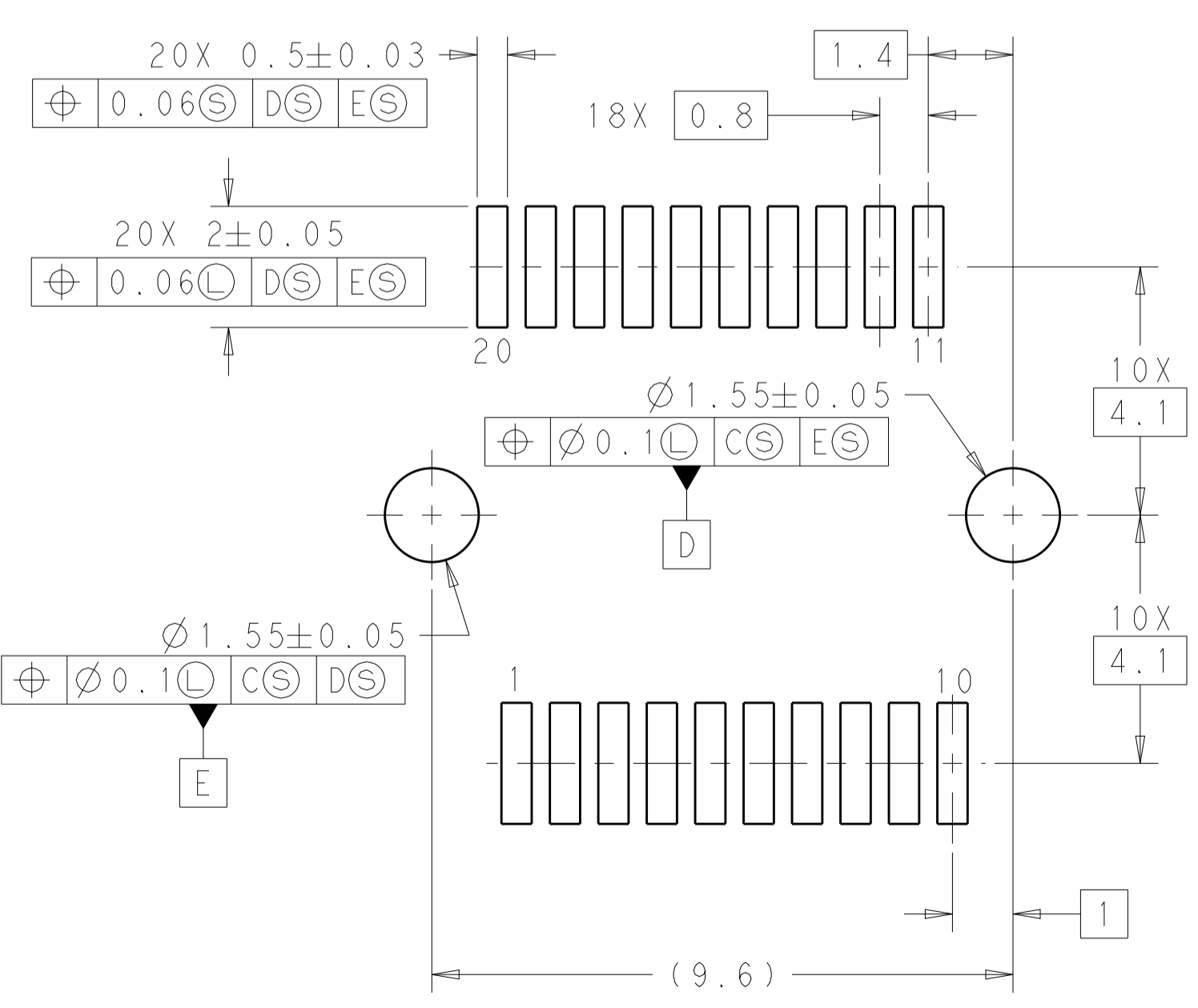


DETAIL A
6X INDIVIDUALLY
SCALE 10:1



RECOMMENDED PCB CONFIGURATION
WITH KEEP-OUT AREAS
SINGLE SIDED APPLICATIONS
SCALE 4:1

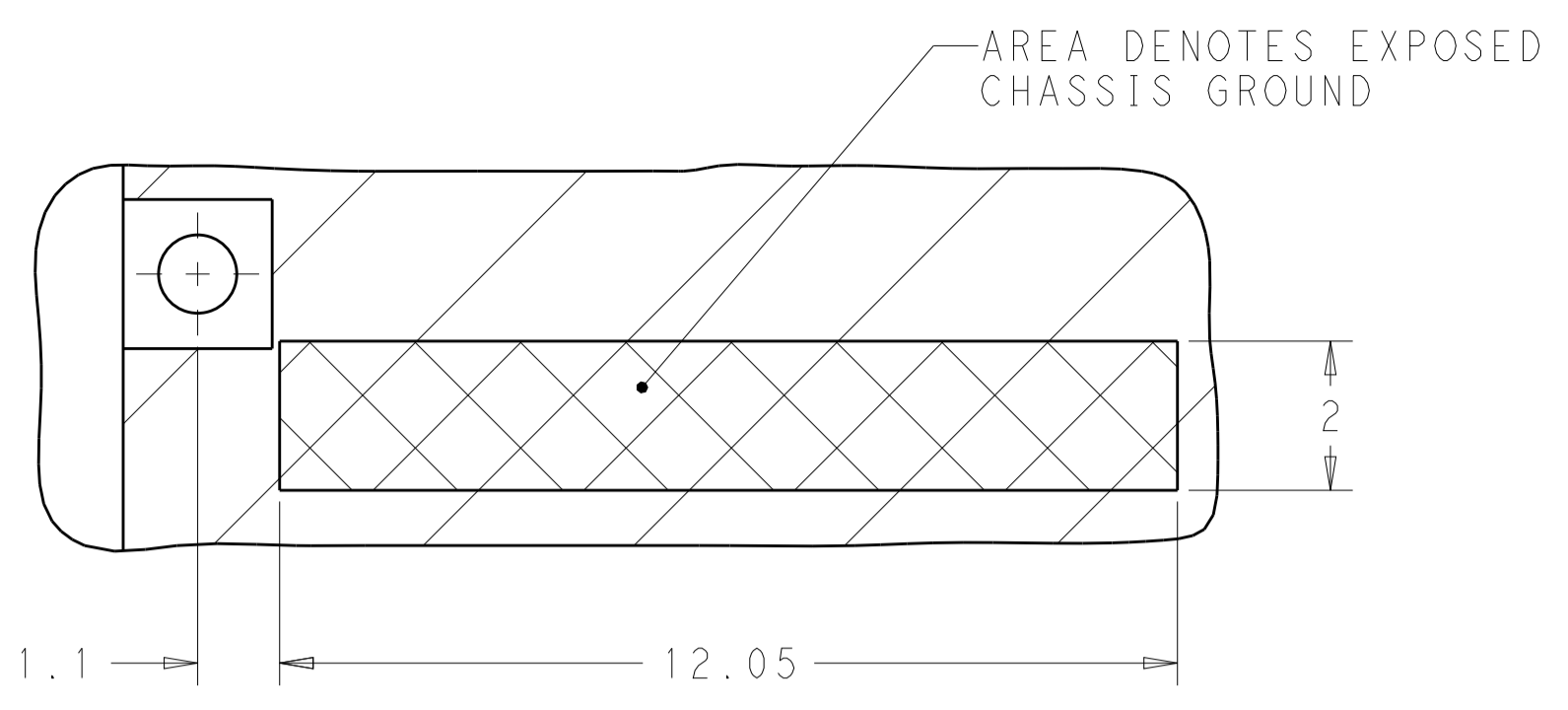
CROSS-HATCHED AREA
DENOTES COMPONENT
AND TRACE KEEP-OUT
(EXCEPT CHASSIS
GROUND)



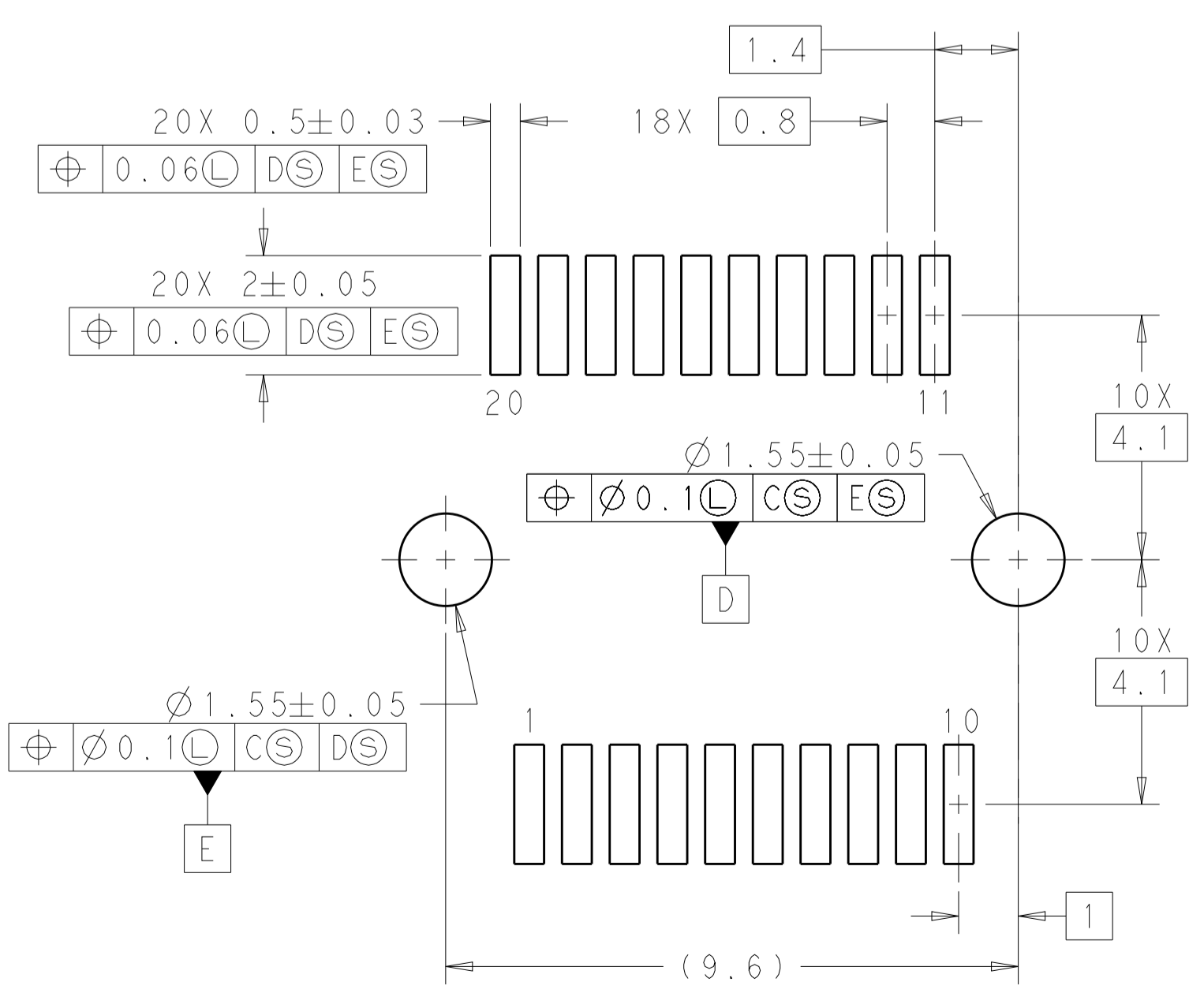
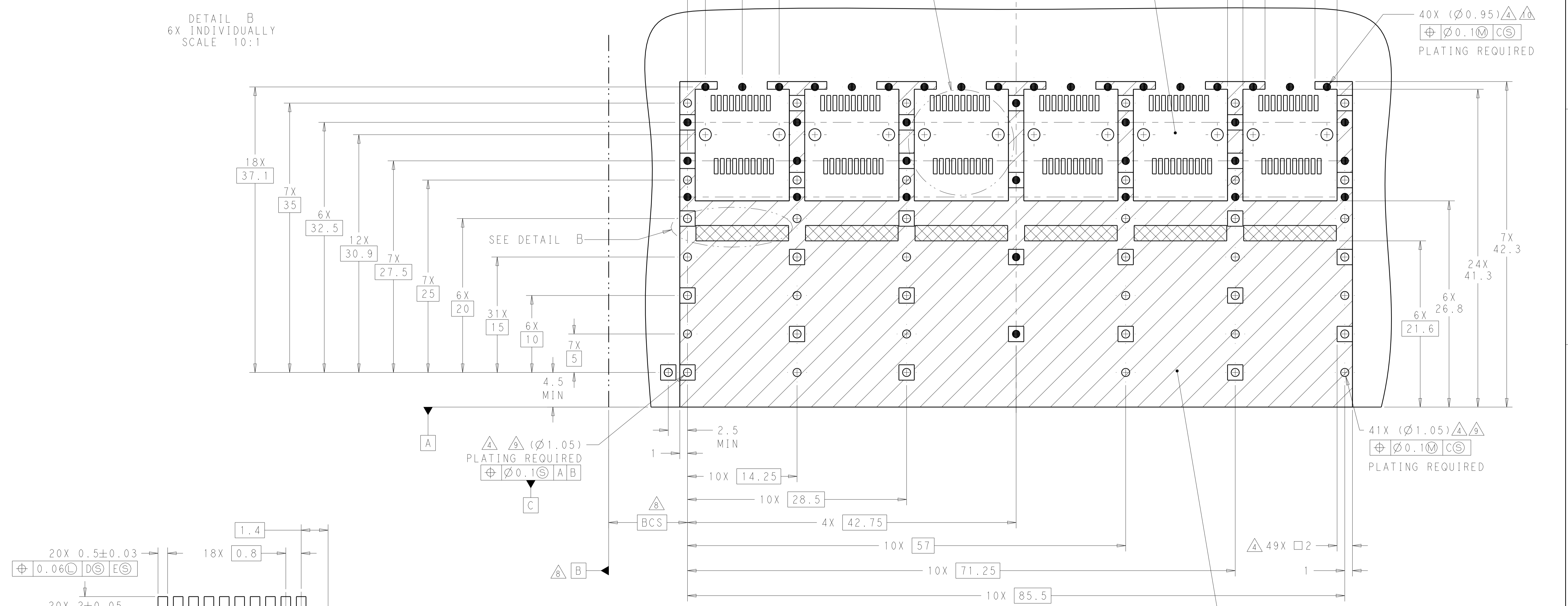
DETAIL X
RECOMMENDED PT CONNECTOR LAYOUT
6X INDIVIDUALLY
SCALE 10:1

THIS DRAWING IS A CONTROLLED DOCUMENT.		OWN: B. MATTHEWS 30SEP2010	TE Connectivity
DIMENSIONS: mm		CHK: M. SCHMITT 30SEP2010	
TOLERANCES UNLESS OTHERWISE SPECIFIED:		APV: M. SCHMITT 30SEP2010	NAME: SFP+ ENHANCED 1X6 CAGE SUBASSEMBLY PRESS FIT, EXTERNAL EMI SPRINGS PRODUCT SPEC: 108-2364 APPLICATION SPEC: 114-13120
0 PLC ±0.1 1 PLC ±0.1 2 PLC ±0.1 3 PLC ±0.1 4 PLC ±0.1 ANGLES ±1°		SIZE: CAGE CODE DRAWING NO: WEIGHT: 114-13120 Customer Drawing	
MATERIAL:		FINISH: -	RESTRICTED TO: SCALE: 4:1 SHEET 3 OF 4 REV A

LOC	DIST	REVISIONS			
P	LTN	DESCRIPTION	DATE	DMN	APVD
-	-	SEE SHEET 1	-	-	-



DETAIL B
6X INDIVIDUALLY
SCALE 10:1



DETAIL Y
RECOMMENDED PT CONNECTOR LAYOUT
12X INDIVIDUALLY
SCALE 10:1

THIS DRAWING IS A CONTROLLED DOCUMENT.		DMN B. MATTHEWS 30SEP2010	TE Connectivity NAME SFP+ ENHANCED 1X6 CAGE SUBASSEMBLY PRESS FIT, EXTERNAL EMI SPRINGS
DIMENSIONS: mm		CHK M. SCHMITT 30SEP2010	
TOLERANCES UNLESS OTHERWISE SPECIFIED:		APVD M. SCHMITT 30SEP2010	PRODUCT SPEC
0 PLC ±0.1		PRODUCT SPEC	108-2364
1 PLC ±0.1		APPLICATION SPEC	114-13120
2 PLC ±0.1		WEIGHT	-
3 PLC ±0.1		SCALE	4:1
4 PLC ±0.1		RESTRICTED TO	-
ANGLES ±1*		Customer Drawing	SCALE 4:1 SHEET 4 OF 4 REV A