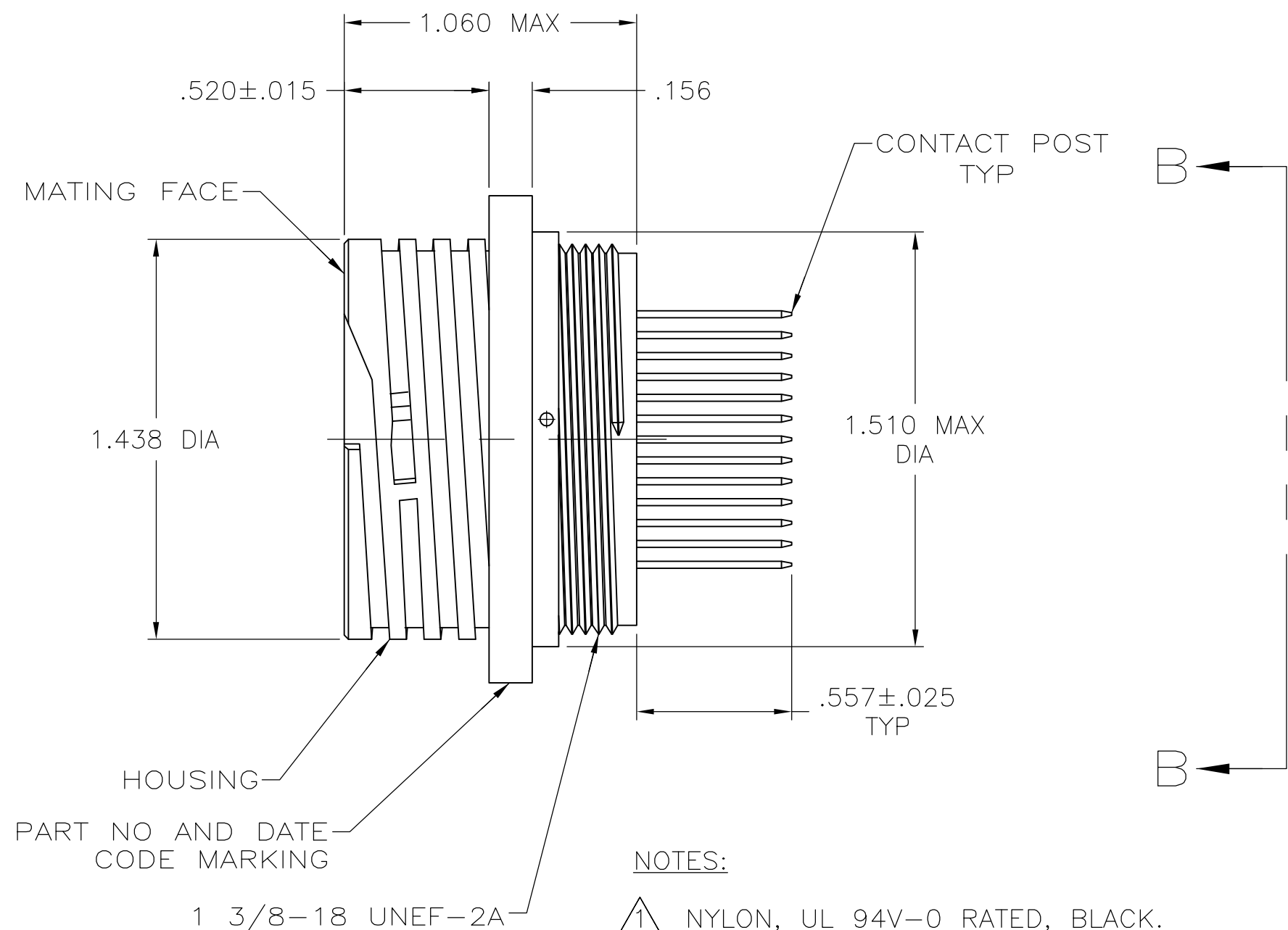
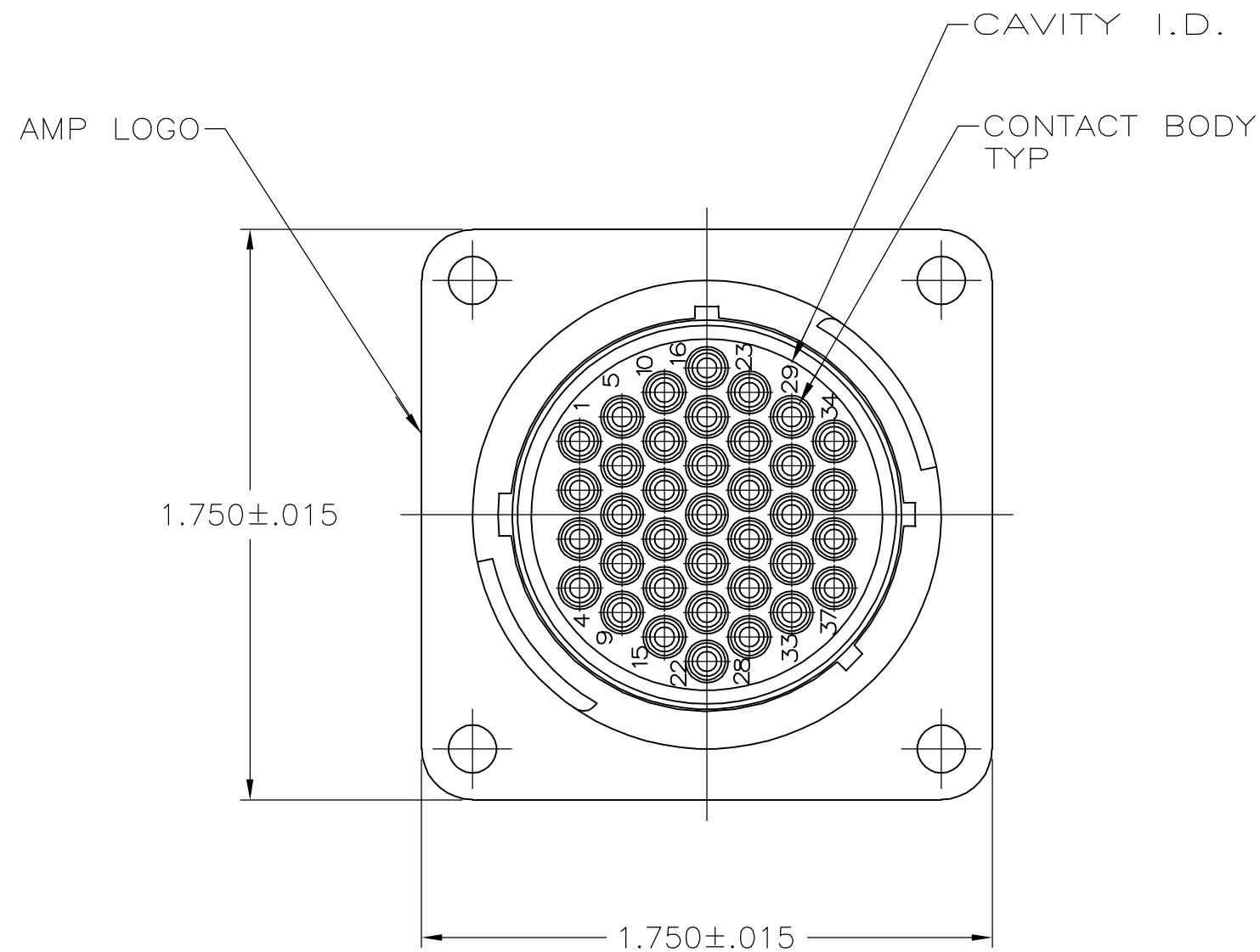
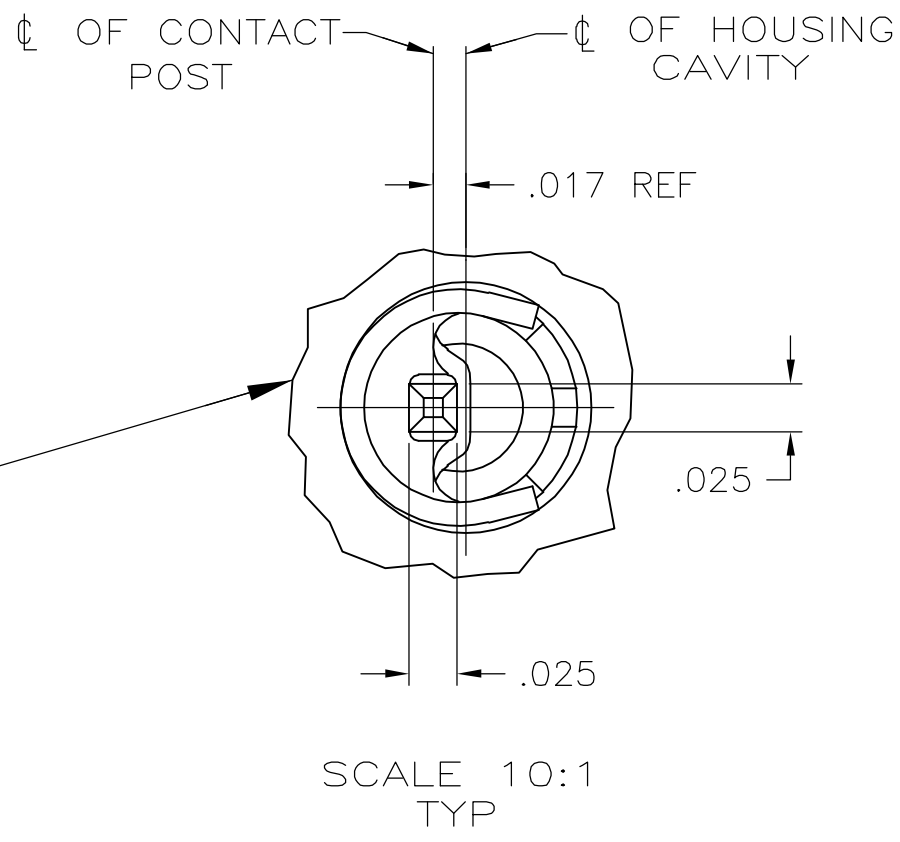
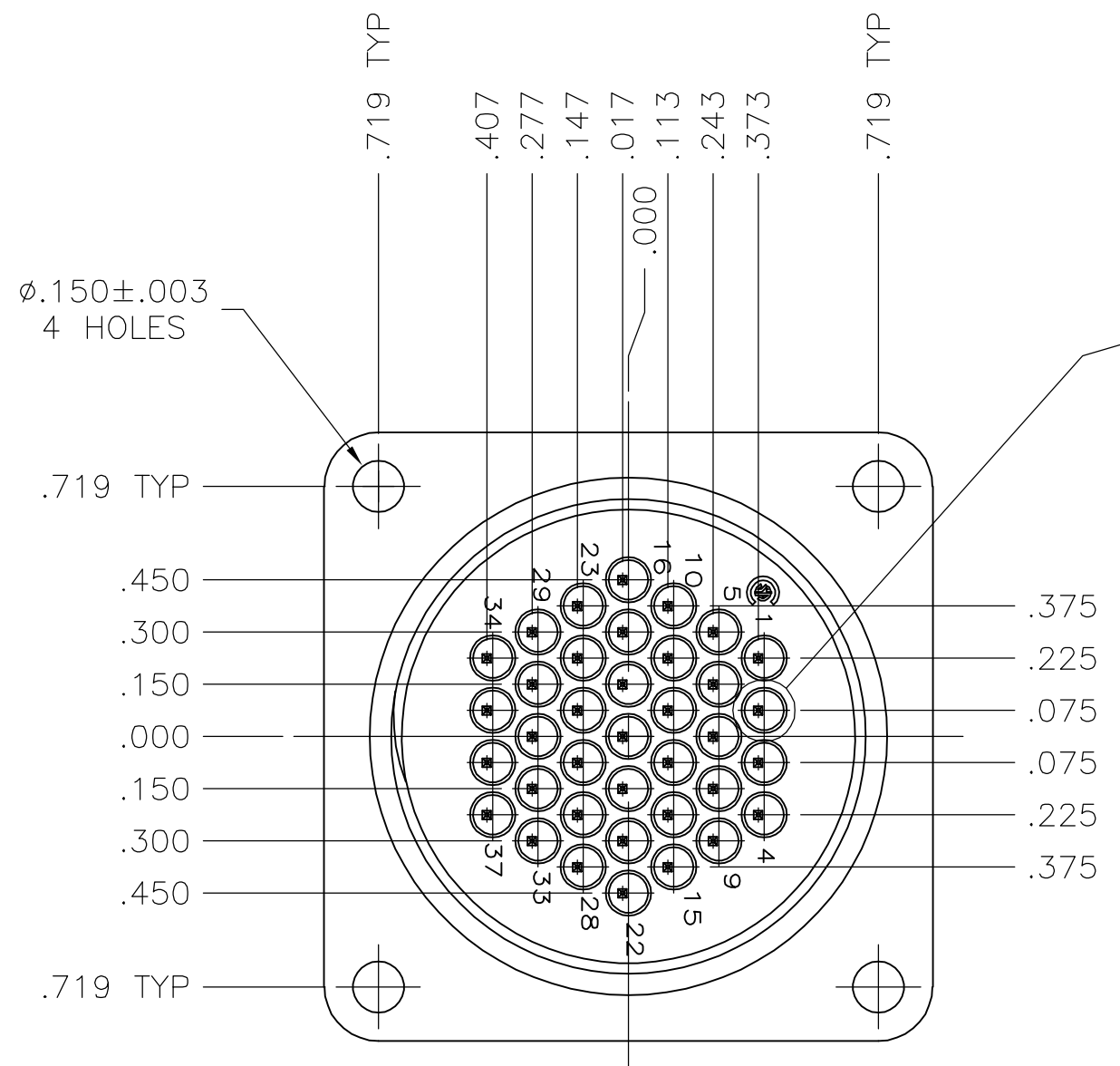


THIS DRAWING IS UNPUBLISHED. RELEASED FOR PUBLICATION
 © COPYRIGHT BY TYCO ELECTRONICS CORPORATION. ALL RIGHTS RESERVED.

LOC		DIST		REVISIONS			
P	LTR	DESCRIPTION	DATE	DWN	APVD		
		D		REVISED PER ECO-07-007552	4/20/07	SS	SH



- NOTES:
- ① NYLON, UL 94V-0 RATED, BLACK.
 - ② STAINLESS STEEL.
 - ③ BRASS.
 - ④ CONTACT BODY: .000030 MIN GOLD FOR A LENGTH OF .200 MIN FROM MATING END. GOLD FLASH ON REMAINDER, BOTH OVER .000030 MIN NICKEL. CONTACT POST: .000100 MIN TIN-LEAD OVER .000050 MIN NICKEL.
 - 5. RECOMMENDED PC BOARD HOLE SIZE FOR CONTACT POST = .035±.003 DIA.
 - ⑥ CONTACT BODY: .000030 MIN GOLD FOR A LENGTH OF .200 MIN FROM MATING END. GOLD FLASH ON REMAINDER, BOTH OVER .000030 MIN NICKEL. CONTACT POST: .000100 MIN TIN OVER .000050 MIN NICKEL.
 - ⑦ SELECT LOAD: NO CONTACTS LOADED IN POSITIONS 10 AND 32.



④	NO	213856-6
⑥	NO	213856-4
④	YES	213856-2
④	NO	213856-1
CONTACT FINISH	PERIPHERAL SEAL	PART NUMBER

THIS DRAWING IS A CONTROLLED DOCUMENT.

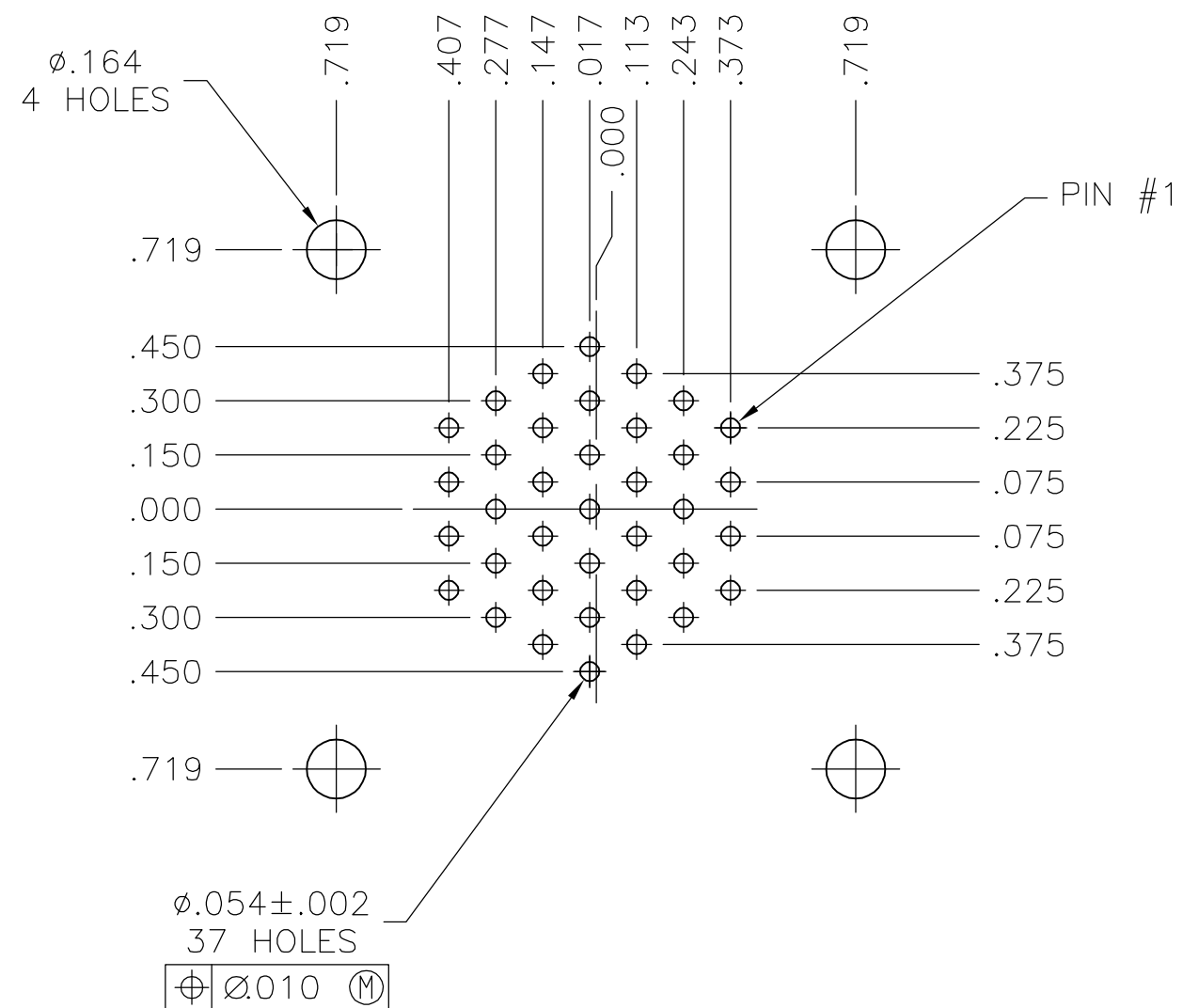
DWN	D.HARDY	01-03-95	Tyco Electronics Corporation Harrisburg, PA 17105-3608
CHK	R.STONE	01-09-95	
APVD	-	-	
NAME	-		
DIMENSIONS:	TOLERANCES UNLESS OTHERWISE SPECIFIED:		PRODUCT SPEC
INCHES	0 PLC ± -		108-10024
	1 PLC ± -		APPLICATION SPEC
	2 PLC ± -		114-10038
	3 PLC ± .010		SIZE
	4 PLC ± -		A2
	ANGLES ± -		CAGE CODE
			00779
MATERIAL:	FINISH:	WEIGHT	DRAWING NO
HOUSING: ①	CONTACT: ④	-	C=213856
CONTACT SPRING: ②			RESTRICTED TO
CONTACT BODY & POST: ③			-
CUSTOMER DRAWING			SCALE
			2:1
			SHEET
			1 of 2
			REV
			D

213856

A

THIS DRAWING IS UNPUBLISHED. RELEASED FOR PUBLICATION
 © COPYRIGHT BY TYCO ELECTRONICS CORPORATION. ALL RIGHTS RESERVED.

LOC		DIST		REVISIONS			
P	LTR	DESCRIPTION	DATE	DWN	APVD		
FT	0	SEE SHEET 1	-	-	-		



RECOMMENDED P.C. BOARD LAYOUT

THIS DRAWING IS A CONTROLLED DOCUMENT.		DWN D.HARDY 01-03-95	Tyco Electronics Corporation Harrisburg, PA 17105-3608	
DIMENSIONS: INCHES		CHK R.STONE 01-09-95		
		TOLERANCES UNLESS OTHERWISE SPECIFIED: 0 PLC ± - 1 PLC ± - 2 PLC ± .01 3 PLC ± - 4 PLC ± - ANGLES ± -		APVD - NAME - PRODUCT SPEC 108-10024 APPLICATION SPEC 114-10038
MATERIAL HOUSING: CONTACT SPRING: CONTACT BODY & POST:		FINISH CONTACT:		SIZE A2 CAGE CODE 00779 DRAWING NO C=213856 RESTRICTED TO -
CUSTOMER DRAWING		WEIGHT -	SCALE 2:1	SHEET 2 of 2 REV D

213856