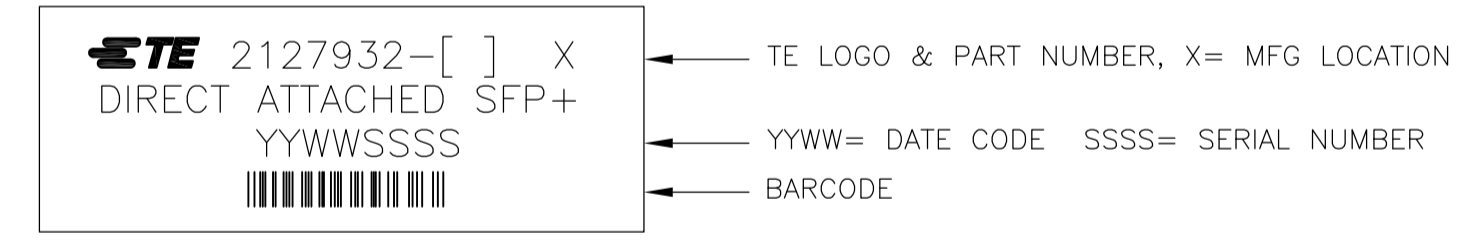
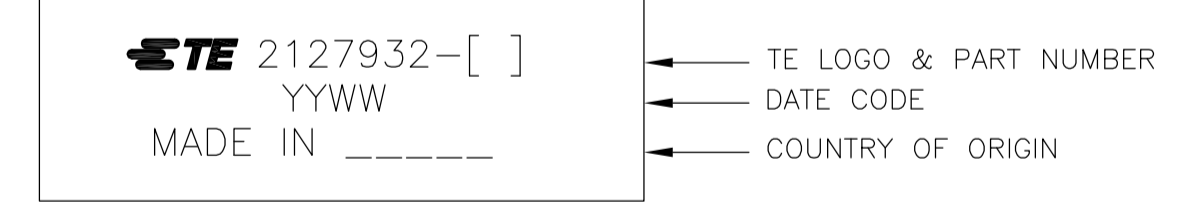


1. CHARACTERISTIC IMPEDANCE: 100±10 OHMS (MEASURED DIFFERENTIALLY).

2 LABEL INFORMATION:



3 LABEL INFORMATION:



4. SEE SHEET 2 FOR WIRING SCHEMATIC.

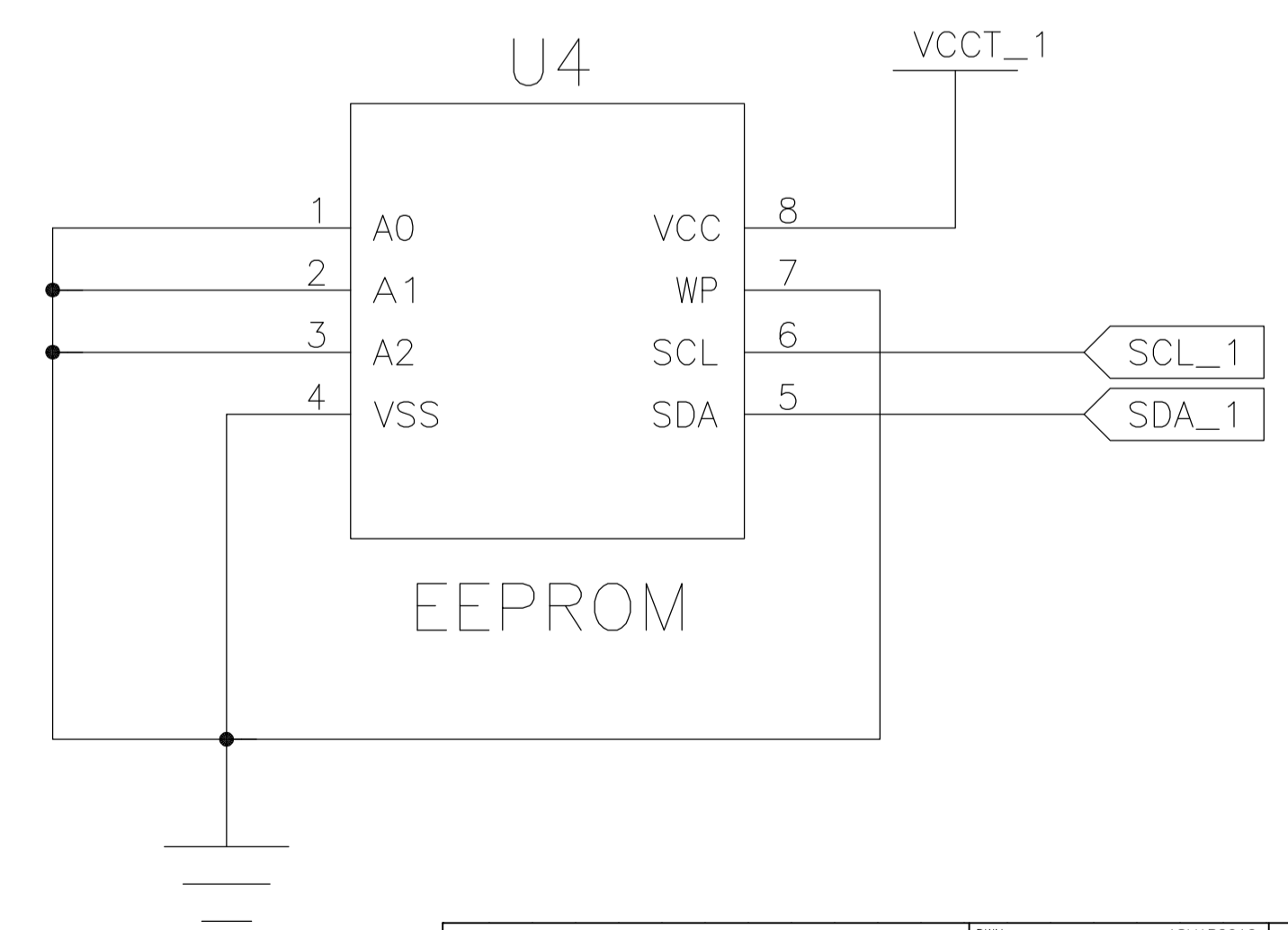
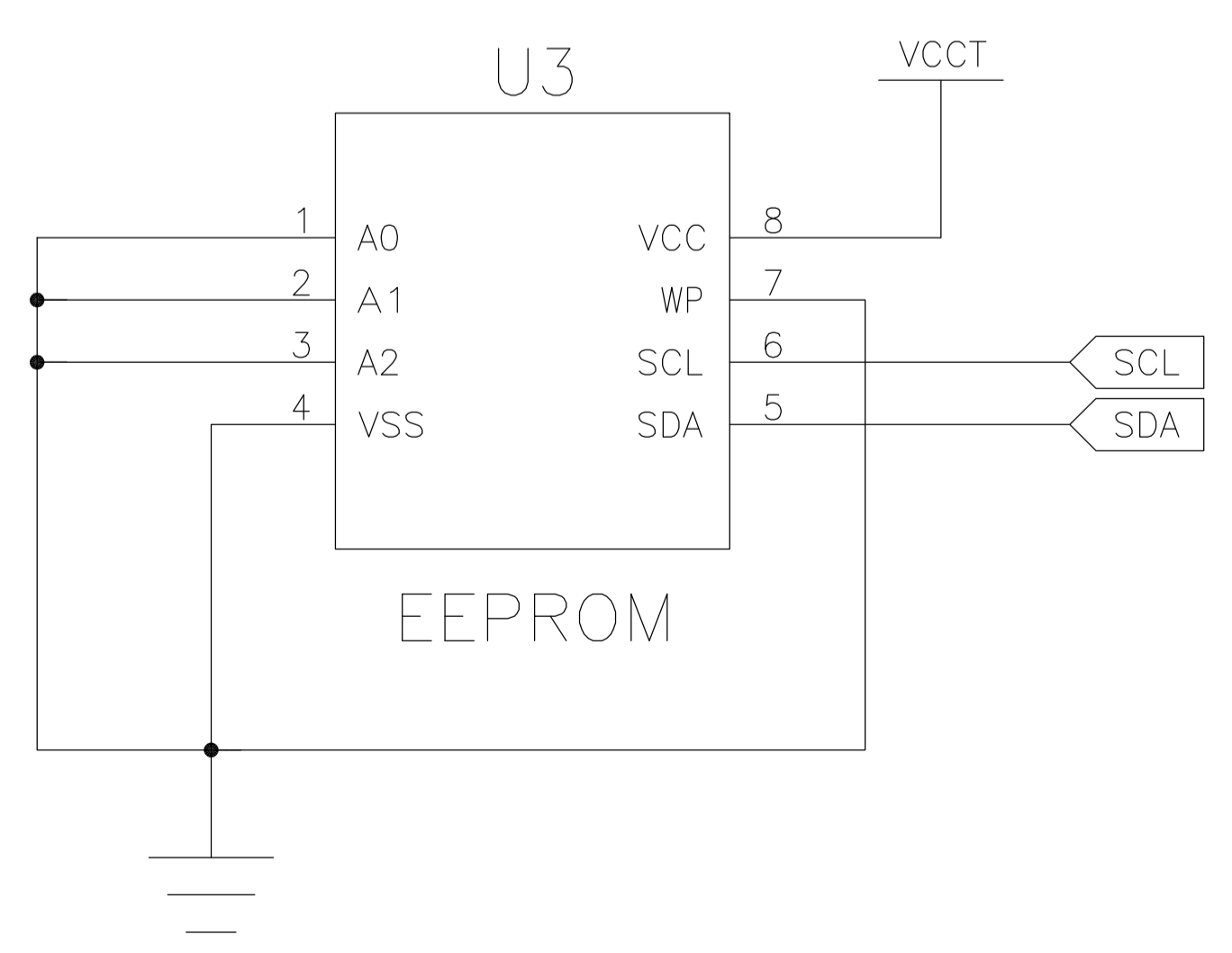
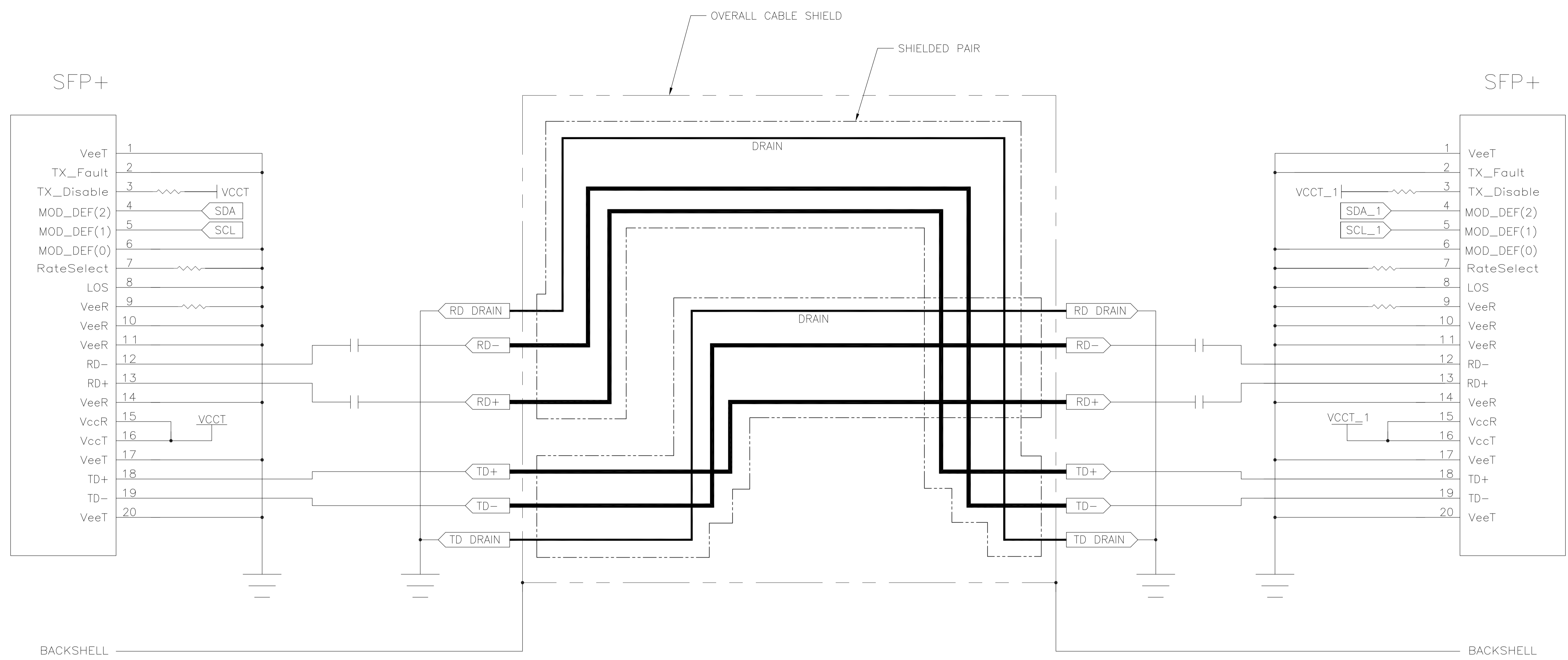
5. ROHS COMPLIANCE: PRODUCT AND PROCESSING MEETS REQUIREMENTS OF TE SPECIFICATION TEC-138-702.

5	+0.1 -0	METERS	2127932-6
4	+0.08 -0	METERS	2127932-5
3	+0.08 -0	METERS	2127932-4
2	+0.08 -0	METERS	2127932-3
1	+0.05 -0	METERS	2127932-2
0.5	+0.05 -0	METERS	2127932-1
L			PART NO

THIS DRAWING IS A CONTROLLED DOCUMENT.

DIMENSIONS:	TOLERANCES UNLESS OTHERWISE SPECIFIED:	DIN	T. SMITH	18MAR2010
mm	0 PLC ± -	CHK	C. ADAMS	18MAR2010
	1 PLC ± -	APVD	C. ADAMS	18MAR2010
	2 PLC ± -	NAME	CABLE ASSY, 28 AWG, SFP+ TO SFP+	
	3 PLC ± -	PRODUCT SPEC	-	
	4 PLC ± -	APPLICATION SPEC	-	
	ANGLES ± -	SIZE	CAGE CODE	DRAWING NO
MATERIAL	FINISH	WEIGHT	A1 00779	2127932
		CUSTOMER DRAWING	SCALE	1:1
		SHEET	1	OF 2
		REV	B	

4805 (3/11)



THIS DRAWING IS A CONTROLLED DOCUMENT.		DIN T. SMITH 18MAR2010	TE Connectivity
DIMENSIONS: mm		CHK C. ADAMS 18MAR2010	
TOLERANCES UNLESS OTHERWISE SPECIFIED:		APPD C. ADAMS 18MAR2010	NAME CABLE ASSY, 28 AWG, SFP+ TO SFP+
0. PLC	±	PRODUCT SPEC	
1. PLC	±	APPLICATION SPEC	
2. PLC	±		
3. PLC	±		
4. PLC	±		
ANGLES	±		
MATERIAL		WEIGHT	RESTRICTED TO
FINISH		A1 00779	SIZE A1
		SCALE 1:1	CAGE CODE 2127932
		SHEET 2 OF 2	DRAWING NO. 2127932
		REV B	CUSTOMER DRAWING