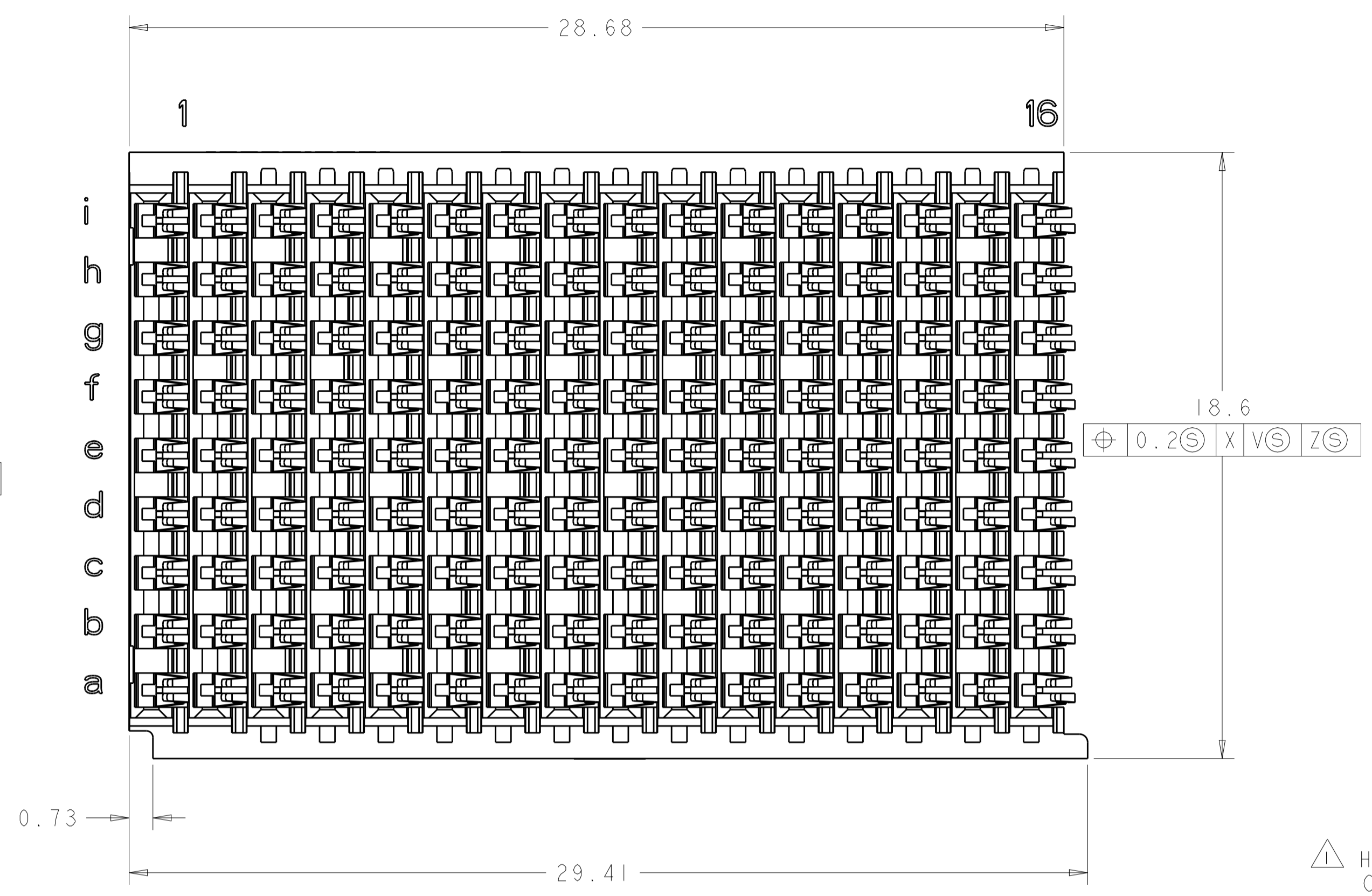
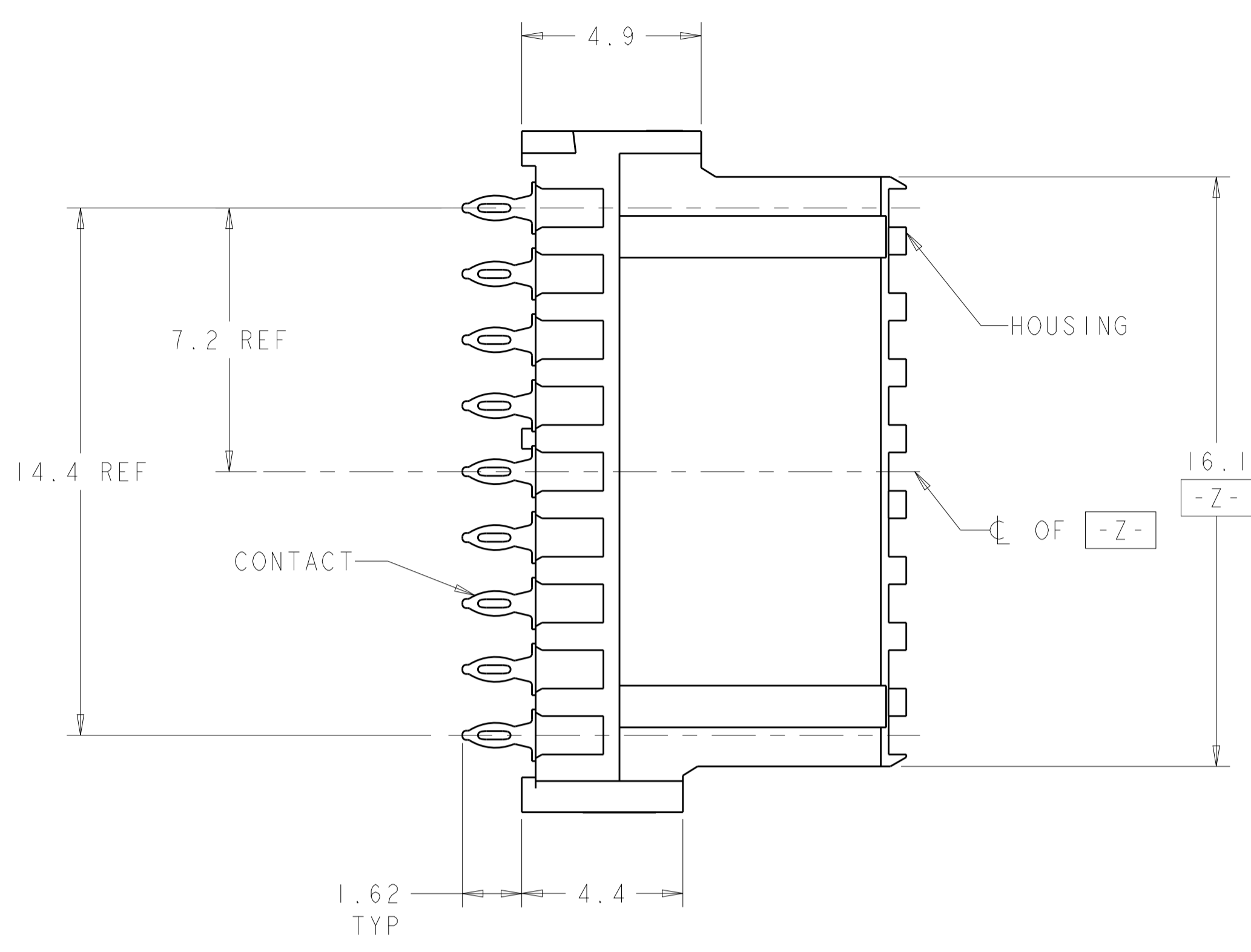
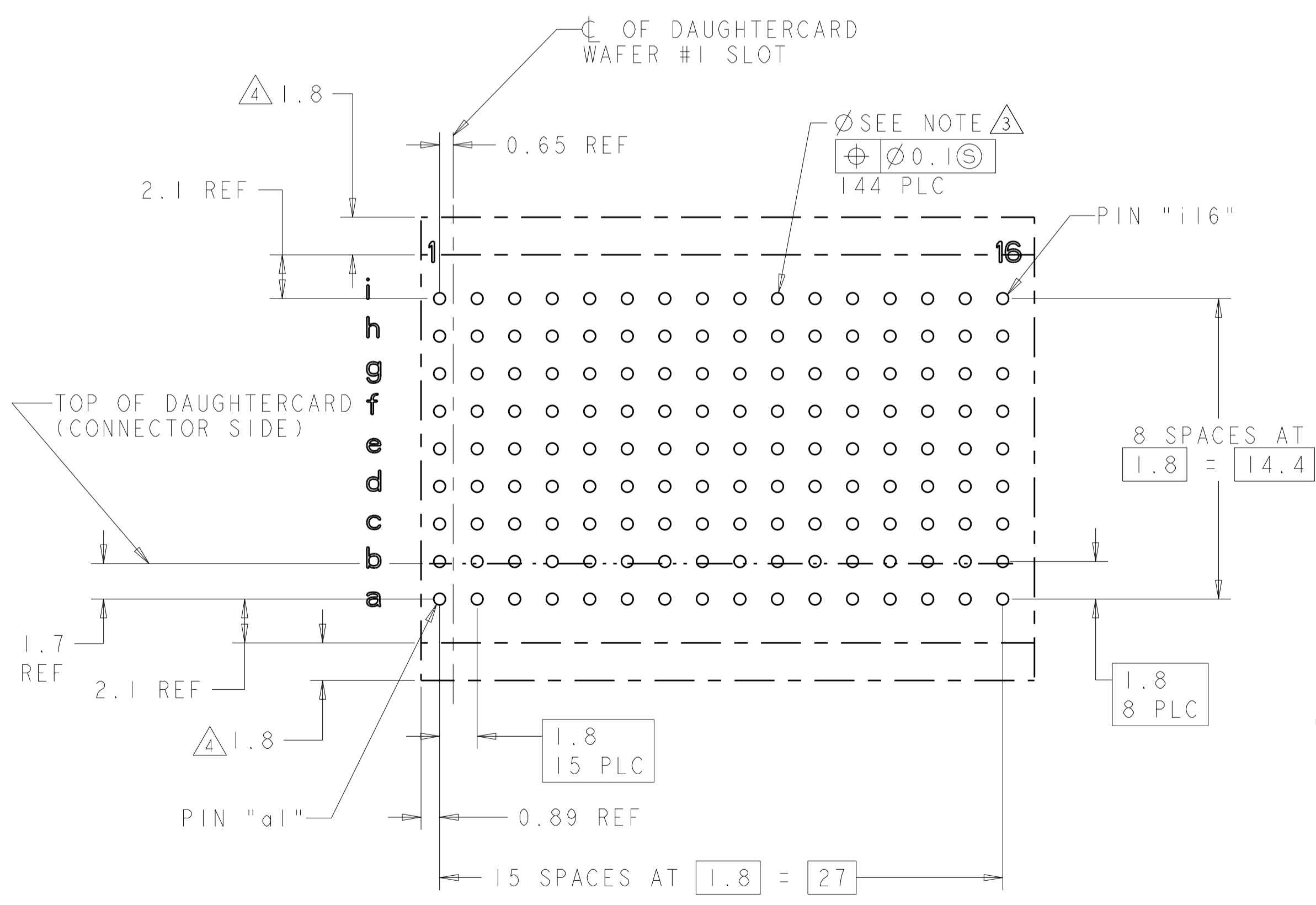


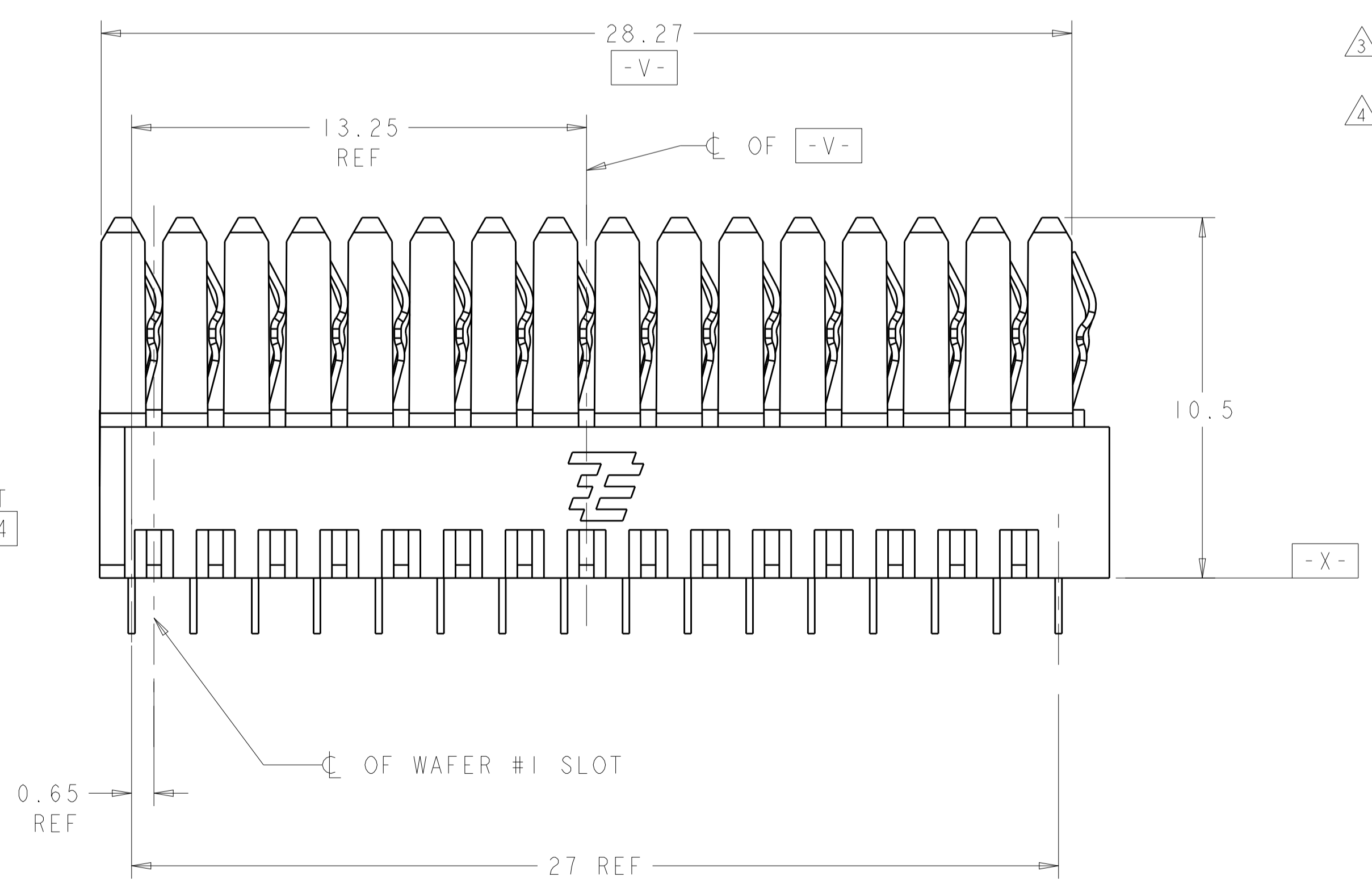
LOC		DIST		REVISIONS			
P	LTN	DESCRIPTION	DATE	DWN	APVD		
B		RELEASED PER ECO-13-004502	12MAR2013	KM	DH		



- 1 HOUSING: LCP, UL94V0, COLOR: BLACK. CONTACT: PHOSPHOR BRONZE.
- 2 FINISH: 1.27µm GOLD IN CONTACT AREA 1.27µm MIN. TIN-LEAD ON PCB TAIL OVER 2.54µm MIN. NICKEL OVER ALL.
- 3 PLATED THROUGH HOLE PER 114-13056, FIGURE 4
- 4 ADDITIONAL CONNECTOR-SIDE KEEPOUT AREA REQUIRED IF CONNECTOR-SIDE EXTRACTION TOOL IS TO BE USED.



PC BOARD LAYOUT (CONNECTOR SIDE)
 (SEE SHEET 2 FOR RTM)
 SCALE 5:1

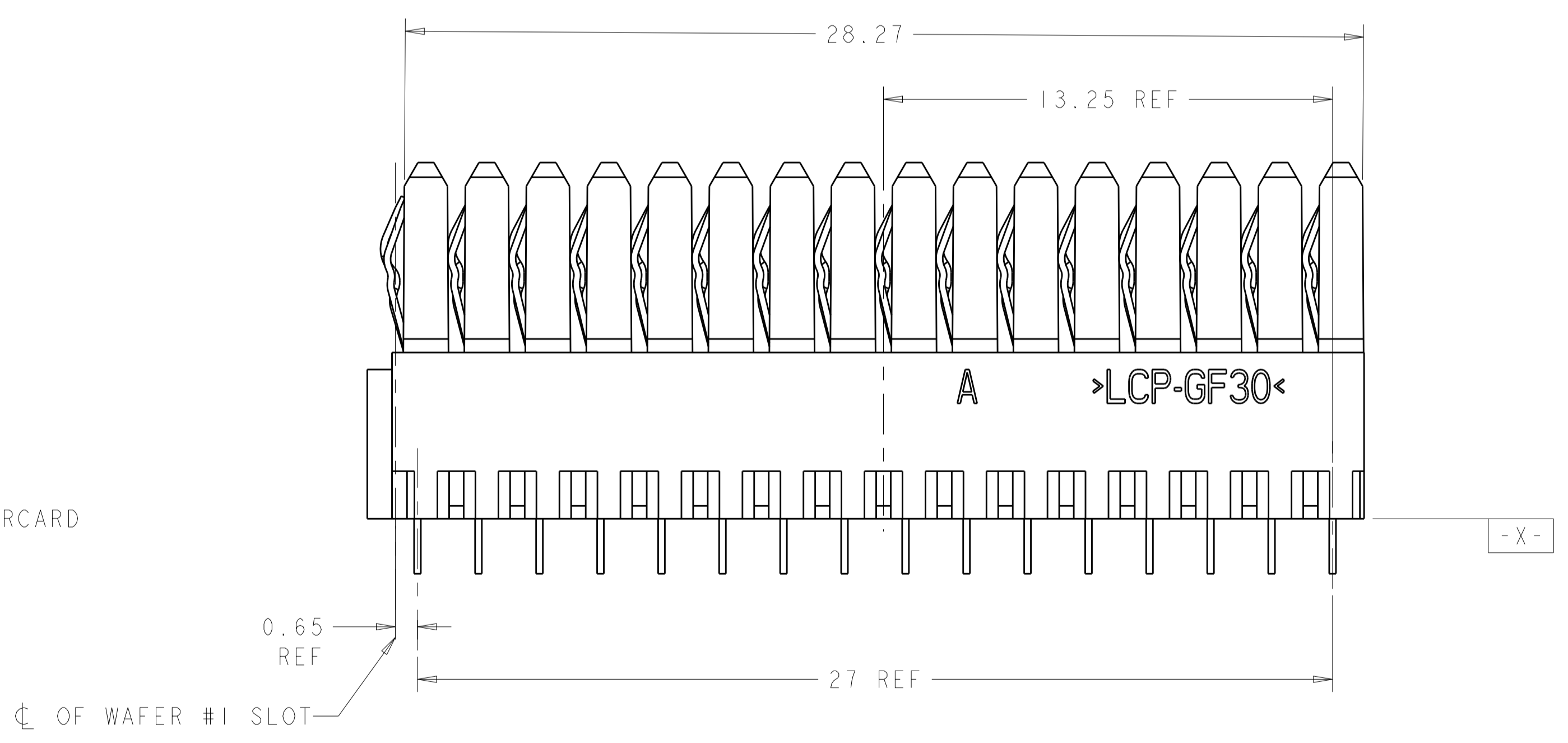
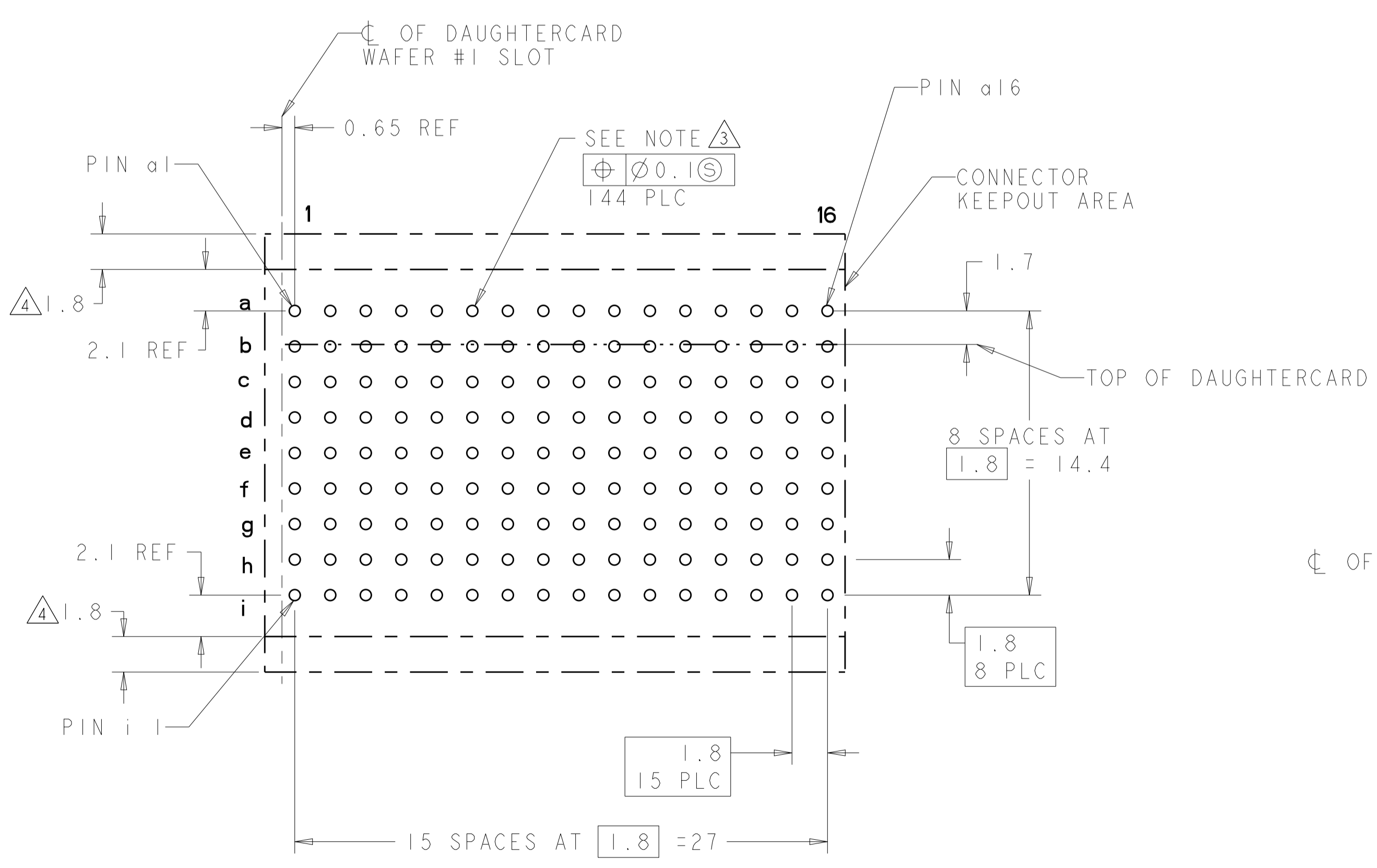
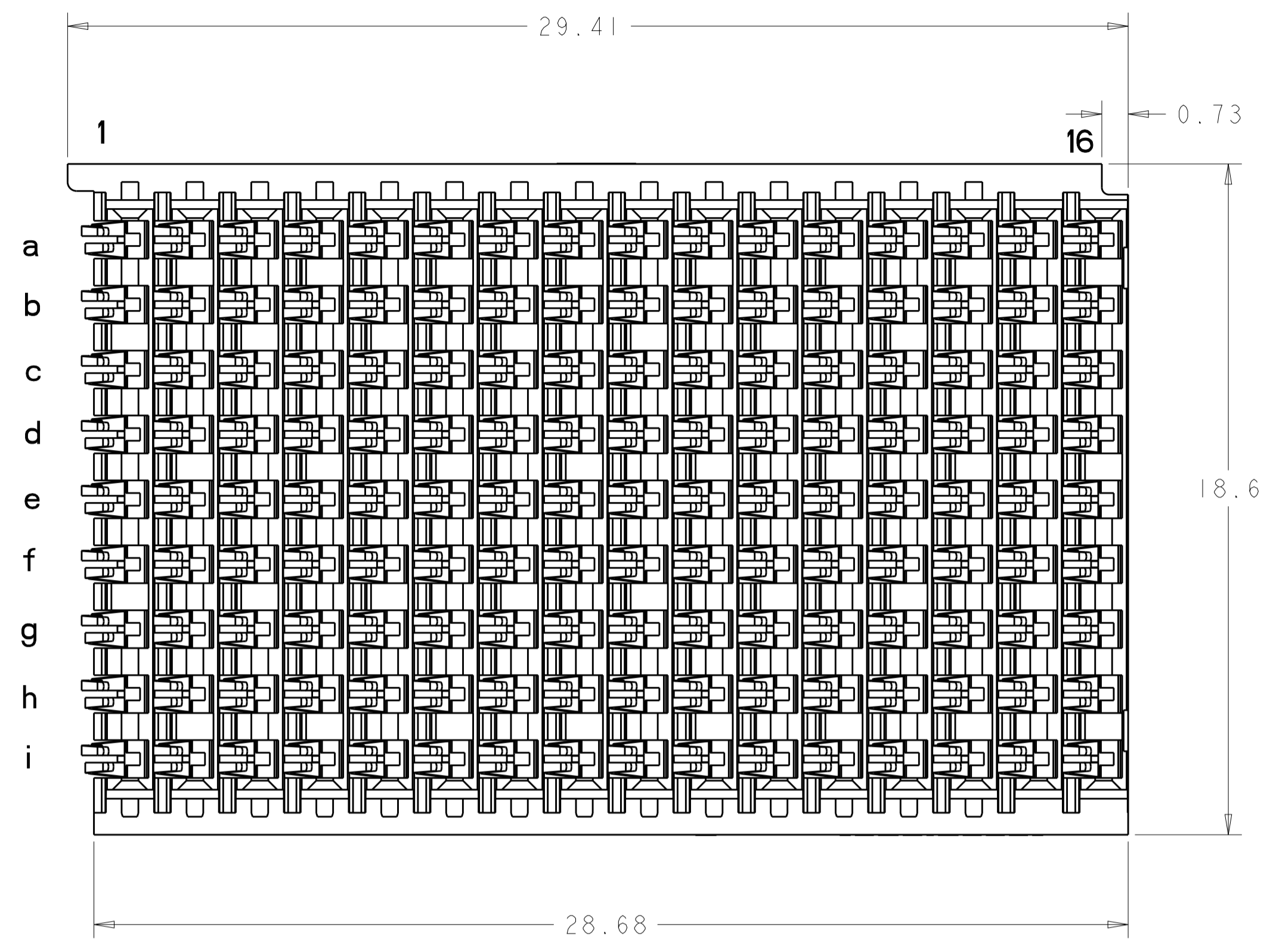
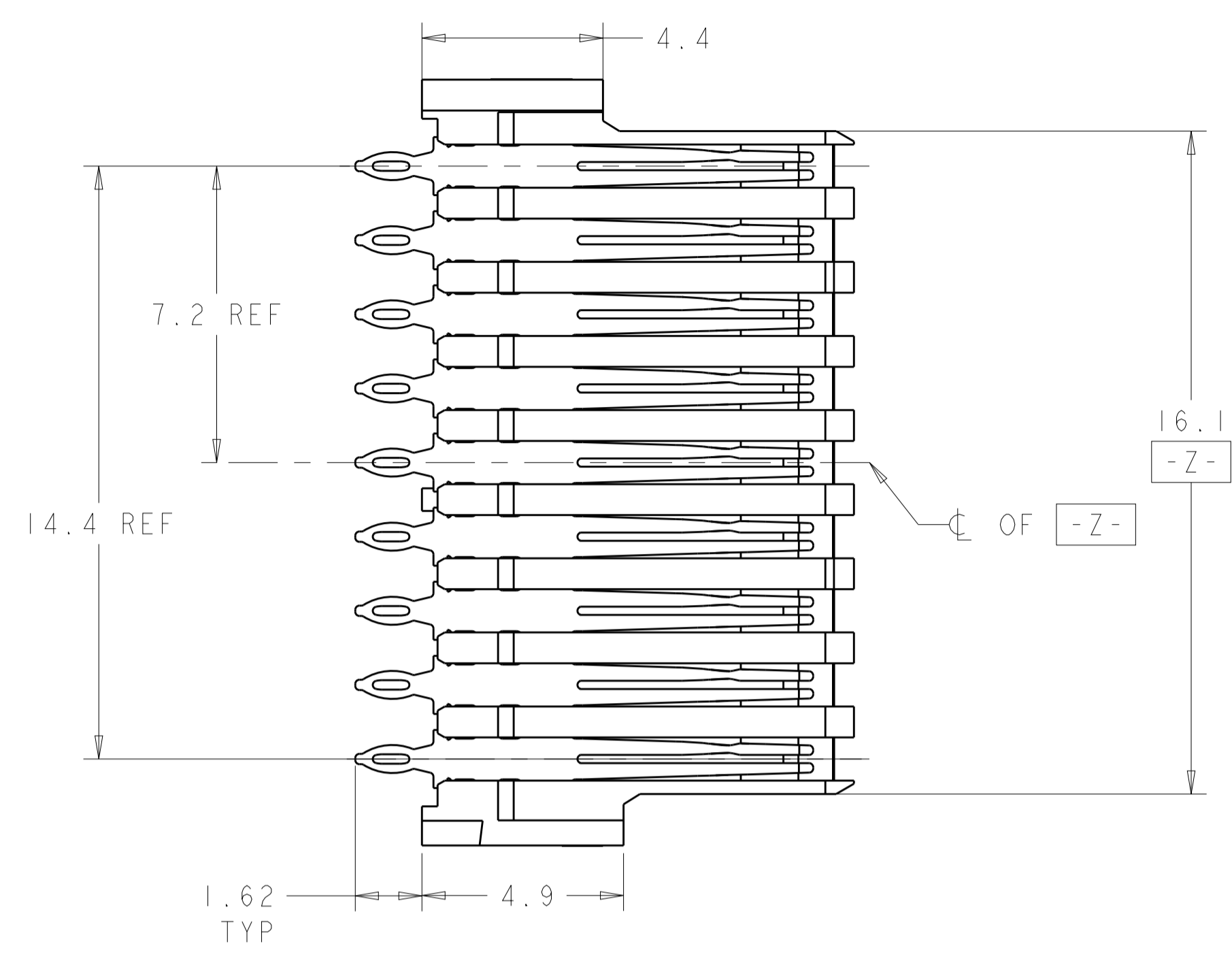


PLATING	2102736-1
PART NO	

THIS DRAWING IS A CONTROLLED DOCUMENT.		DWN: R. MILLER 07SEP2011	TE Connectivity CONNECTOR ASSEMBLY, BACKPLANE VERTICAL RECEPTACLE, CENTER, 20.3mm, MULTIGIG RT 2-R
DIMENSIONS: mm		CHK: K. THACKSTON 12SEP2011	
TOLERANCES UNLESS OTHERWISE SPECIFIED:		APVD: M. McALONIS 10SEP2012	
0 PLC ± 1 PLC ±0.5 2 PLC ±0.13 3 PLC ± 4 PLC ± ANGLES ±1°		PRODUCT SPEC: 108-2072 APPLICATION SPEC: 114-13056 WEIGHT: 6.51g Customer Drawing	
MATERIAL: SEE TABLE		SIZE: A1	CAGE CODE: 2102736 DRAWING NO: 2102736-1 SCALE: 4:1 SHEET: 1 OF 2 REV: B

REAR TRANSITION MODULE APPLICATION

LOC		DIST		REVISIONS			
P	LTN	DESCRIPTION	DATE	DWN	APVD		
-	-	SEE SHEET 1	-	-	-		



THIS DRAWING IS A CONTROLLED DOCUMENT.		DWN: K. MILLER 07SEP2011	 TE Connectivity
DIMENSIONS: mm		CHK: K. THACKSTON 12SEP2011	
TOLERANCES UNLESS OTHERWISE SPECIFIED:		APVD: M. McALONIS 10SEP2012	NAME: CONNECTOR ASSEMBLY, BACKPLANE VERTICAL RECEPTACLE, CENTER, 20.3mm, MULTIGIG RT 2-R
0 PLC ±0.5 1 PLC ±0.13 2 PLC ±0.13 3 PLC ±0.13 4 PLC ±0.13 ANGLES ±1°		PRODUCT SPEC: 108-2072	SIZE: A1
MATERIAL: SEE TABLE		APPLICATION SPEC: 114-13056	CAGE CODE: 2102736
		WEIGHT: 6.51g	RESTRICTED TO: -
		Customer Drawing	SCALE: 4:1 SHEET 2 OF 2 REV B