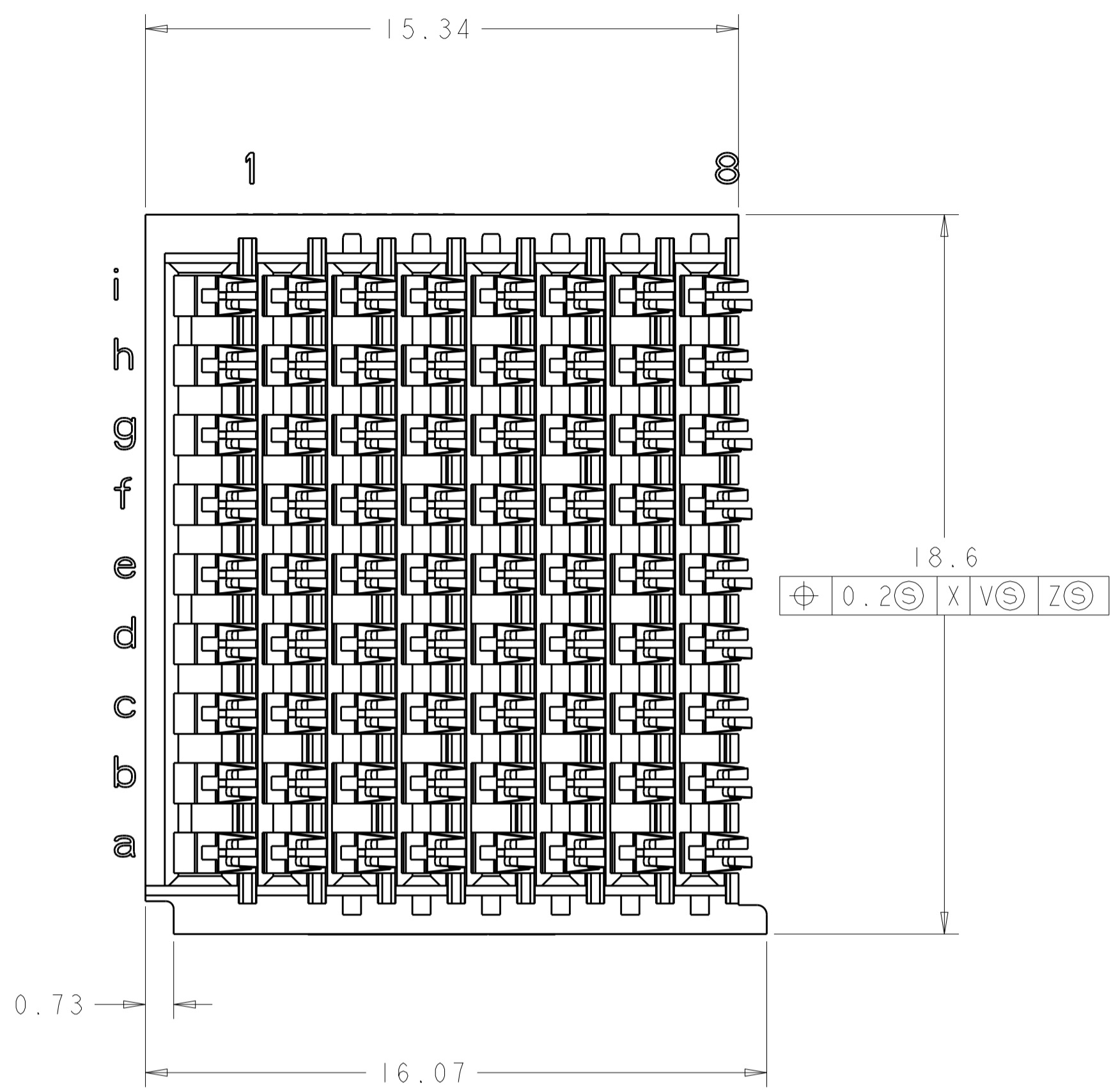
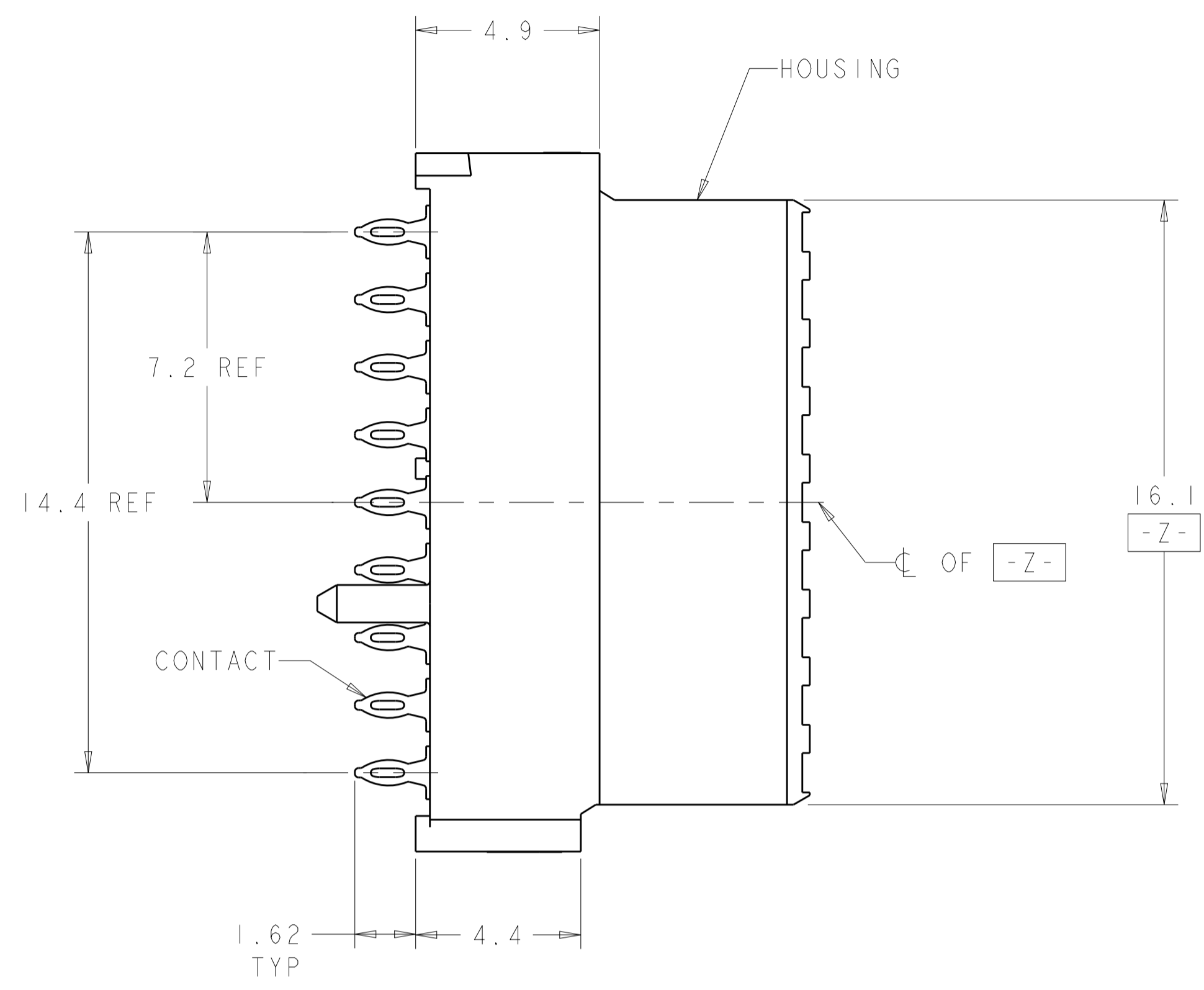
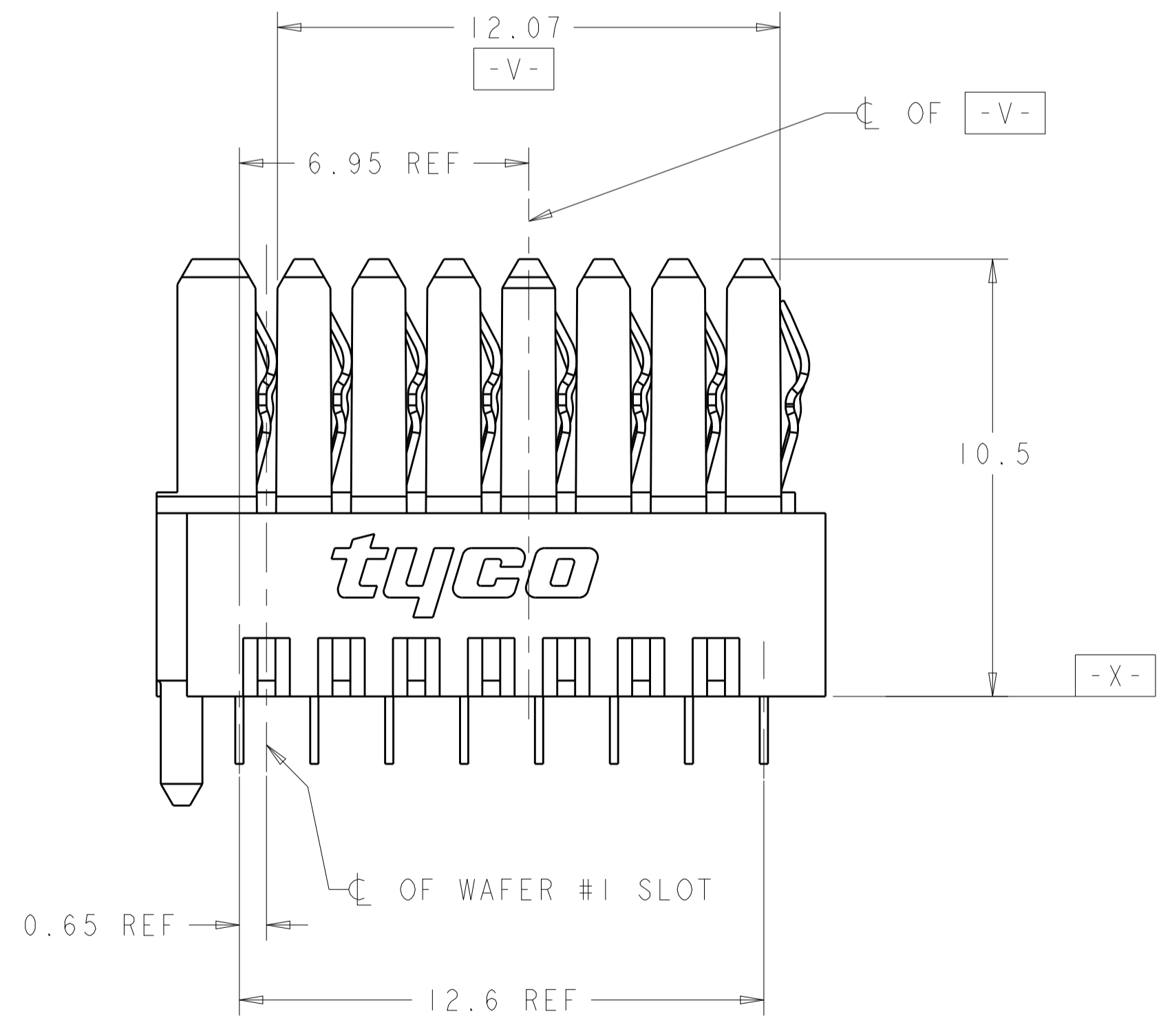
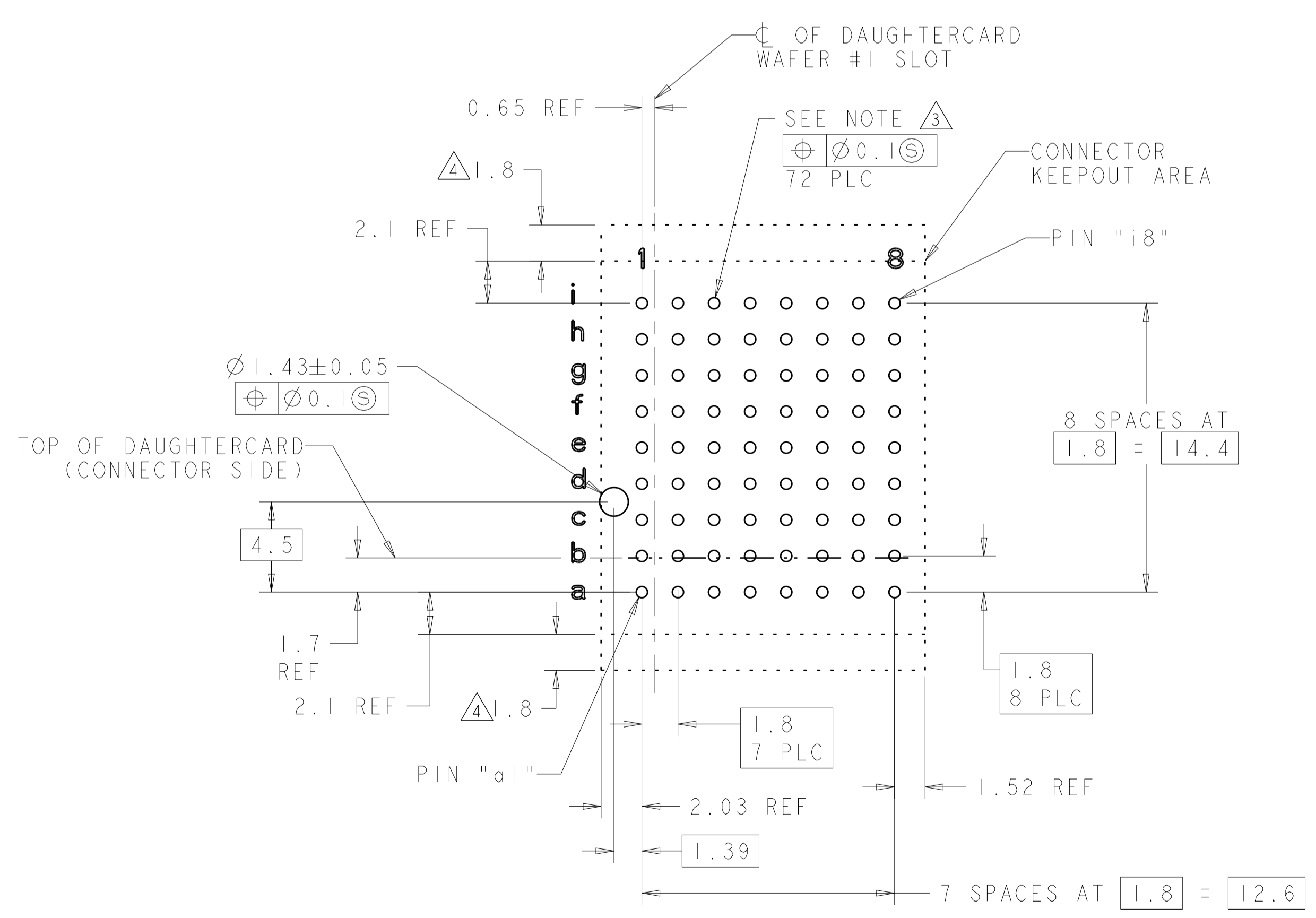


LOC		DIST		REVISIONS			
P	LTN	DESCRIPTION	DATE	DWN	APVD		
B		RELEASED PER ECO-13-004502	12MAR2013	KM	DH		



- 1 HOUSING: LCP, UL94V0, COLOR: BLACK. CONTACT: PHOSPHOR BRONZE.
- 2 FINISH: 1.27µm GOLD IN CONTACT AREA 1.27µm MIN. TIN-LEAD ON PCB TAIL OVER 2.54µm MIN. NICKEL OVER ALL.
- 3 PLATED THROUGH HOLE PER 114-13056, FIGURE 4
- 4 ADDITIONAL CONNECTOR-SIDE KEEP-OUT AREA REQUIRED IF CONNECTOR-SIDE EXTRACTION TOOL IS TO BE USED.



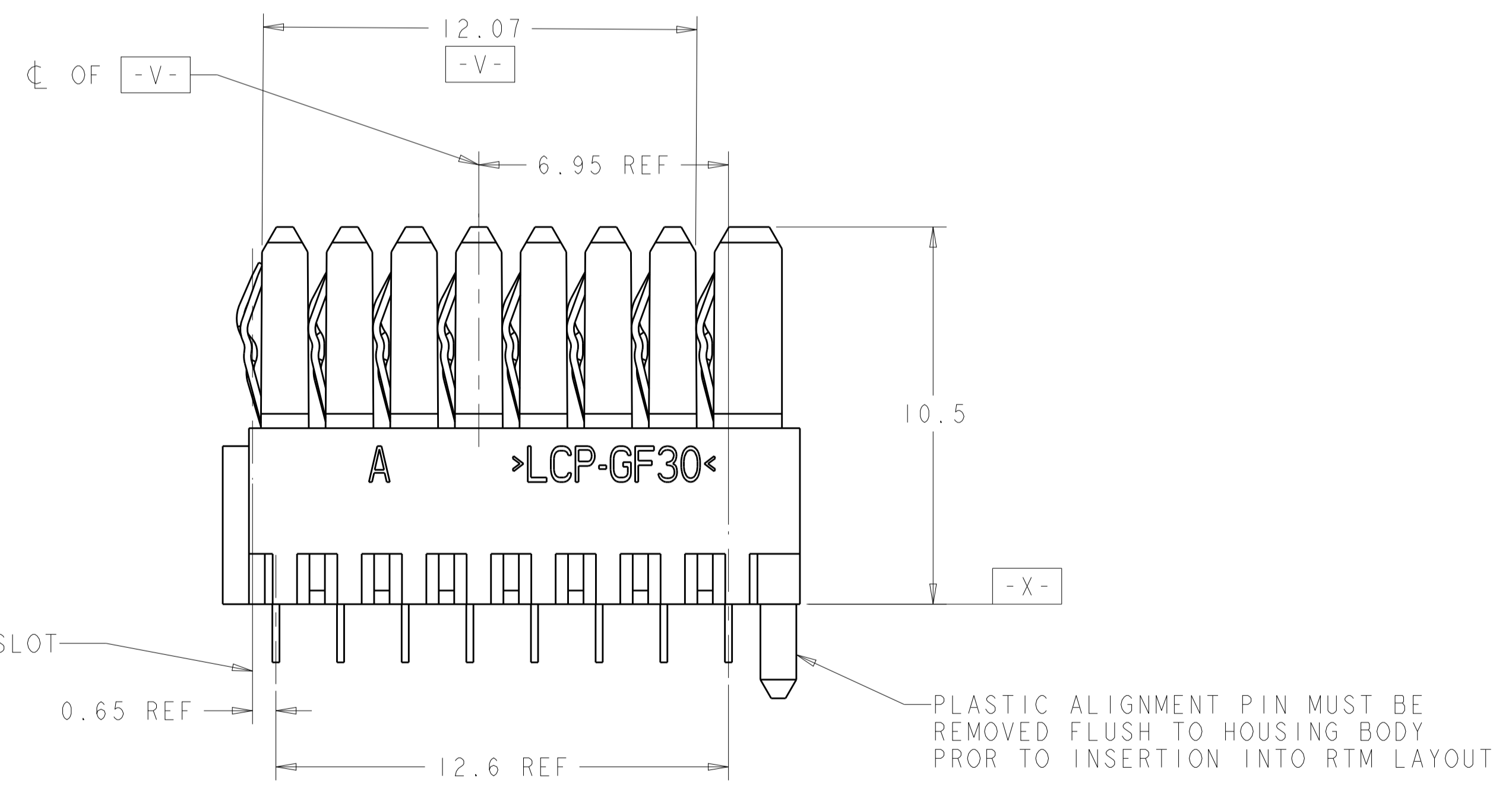
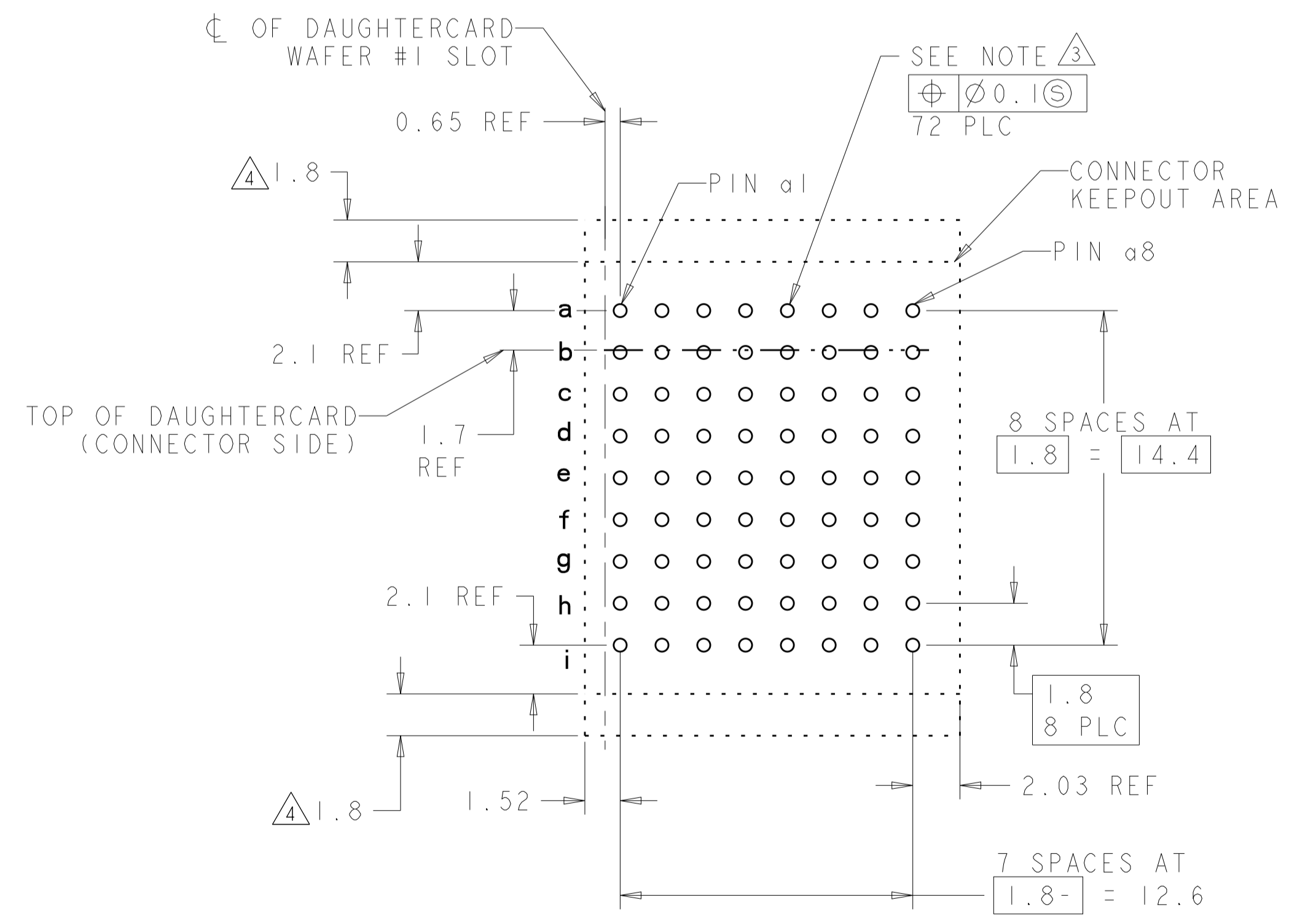
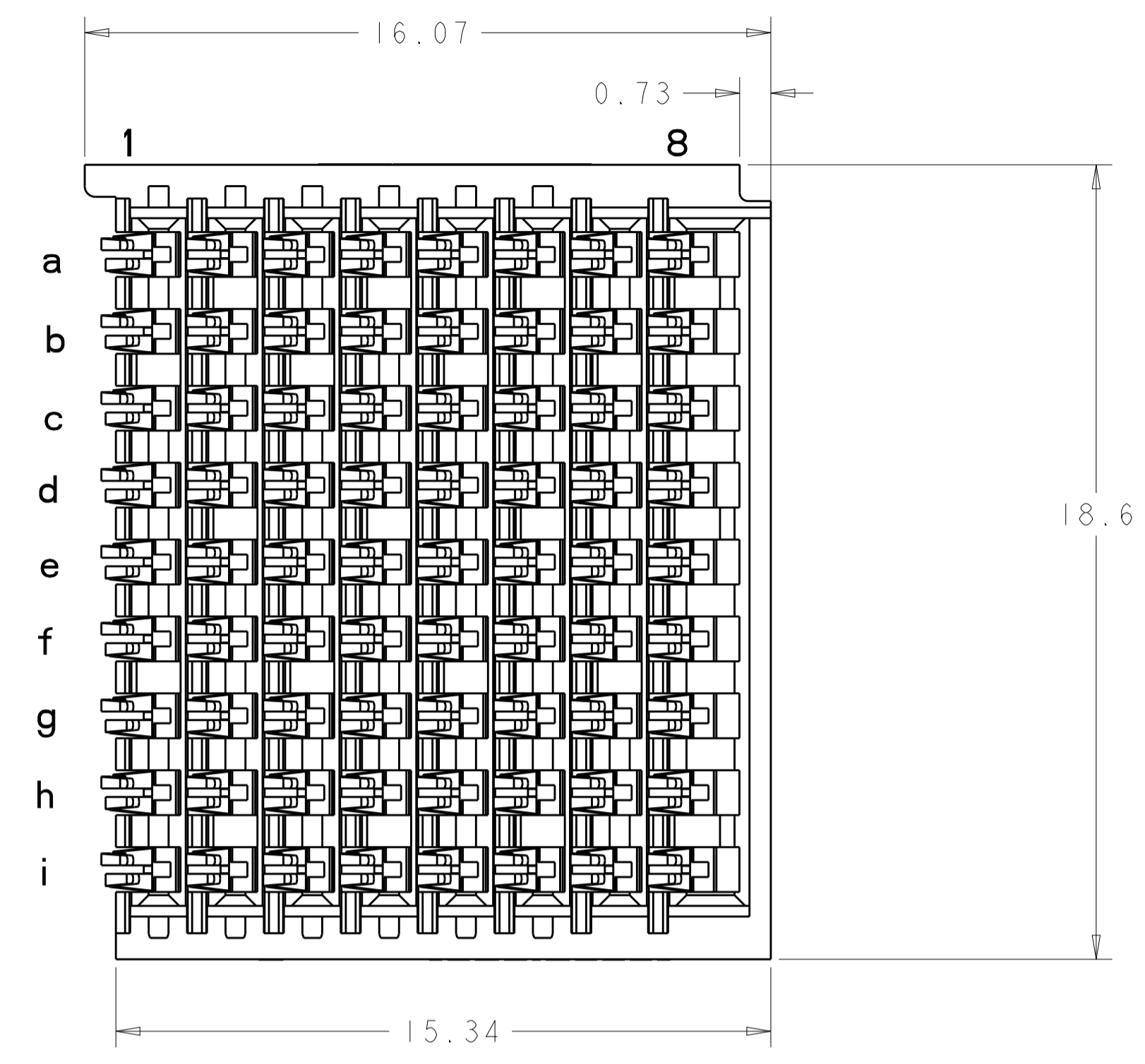
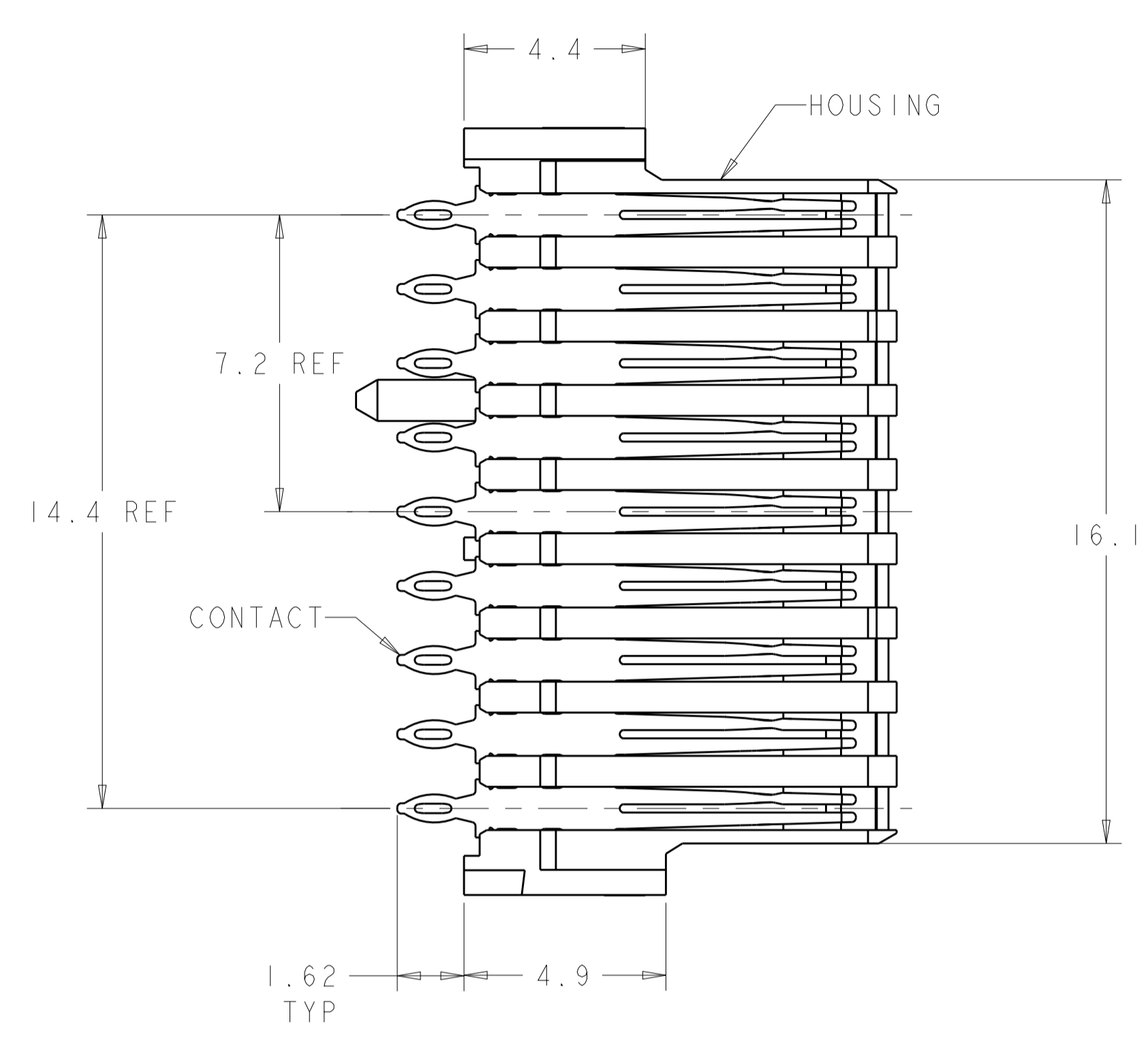
PC BOARD LAYOUT  
 (CONNECTOR SIDE)  
 SEE SHEET 2 FOR RTM)  
 SCALE 5:1

PLATING	2102735-1
PART NO	

THIS DRAWING IS A CONTROLLED DOCUMENT.		DWN: R. MILLER 07SEP2011	TE Connectivity	
DIMENSIONS: mm		CHK: K. THACKSTON 12SEP2011	NAME: CONNECTOR ASSEMBLY, BACKPLANE VERTICAL RECEPTACLE, HALF, LEFT END, 20.3mm, MULTIGIG RT 2-R	
TOLERANCES UNLESS OTHERWISE SPECIFIED:		APVD: M. McALONIS 10SEP2012	SIZE: CAGE CODE DRAWING NO. RESTRICTED TO	
0 PLC ±0.5		PRODUCT SPEC: 108-2072	A100779C=2102735	
2 PLC ±0.13		APPLICATION SPEC: 114-13056	SCALE 4:1 SHEET 1 OF 2 REV B	
3 PLC ±0.13		WEIGHT: 3.55g		
4 PLC ±0.13		Customer Drawing		
ANGLES ±1°				
FINISH: SEE TABLE				

LOC		DIST		REVISIONS			
				DESCRIPTION	DATE	OWN	APVD
-	-	-	-	SEE SHEET 1	-	-	-

# REAR TRANSITION MODULE APPLICATION



RTM PC BOARD LAYOUT  
 (CONNECTOR SIDE)  
 SCALE 5:1

THIS DRAWING IS A CONTROLLED DOCUMENT.		OWN: R. MILLER 07SEP2011	TE Connectivity
DIMENSIONS: mm		CHK: K. THACKSTON 12SEP2011	
TOLERANCES UNLESS OTHERWISE SPECIFIED:		APVD: M. McALONIS 10SEP2012	NAME: CONNECTOR ASSEMBLY BACKPLANE VERTICAL RECEPTACLE, HALF, LEFT END, 20.3mm, MULTIGIG RT 2-R
0 PLC ±0.5	1 PLC ±0.13	PRODUCT SPEC: 108-2072	SIZE: 114-13056
2 PLC ±0.13	3 PLC ±0.13	APPLICATION SPEC:	WEIGHT: 3.55g
4 PLC ±0.13	ANGLES ±1°	FINISH:	Customer Drawing
SEE TABLE		RESTRICTED TO:	SCALE: 4:1 SHEET 2 OF 2 REV B