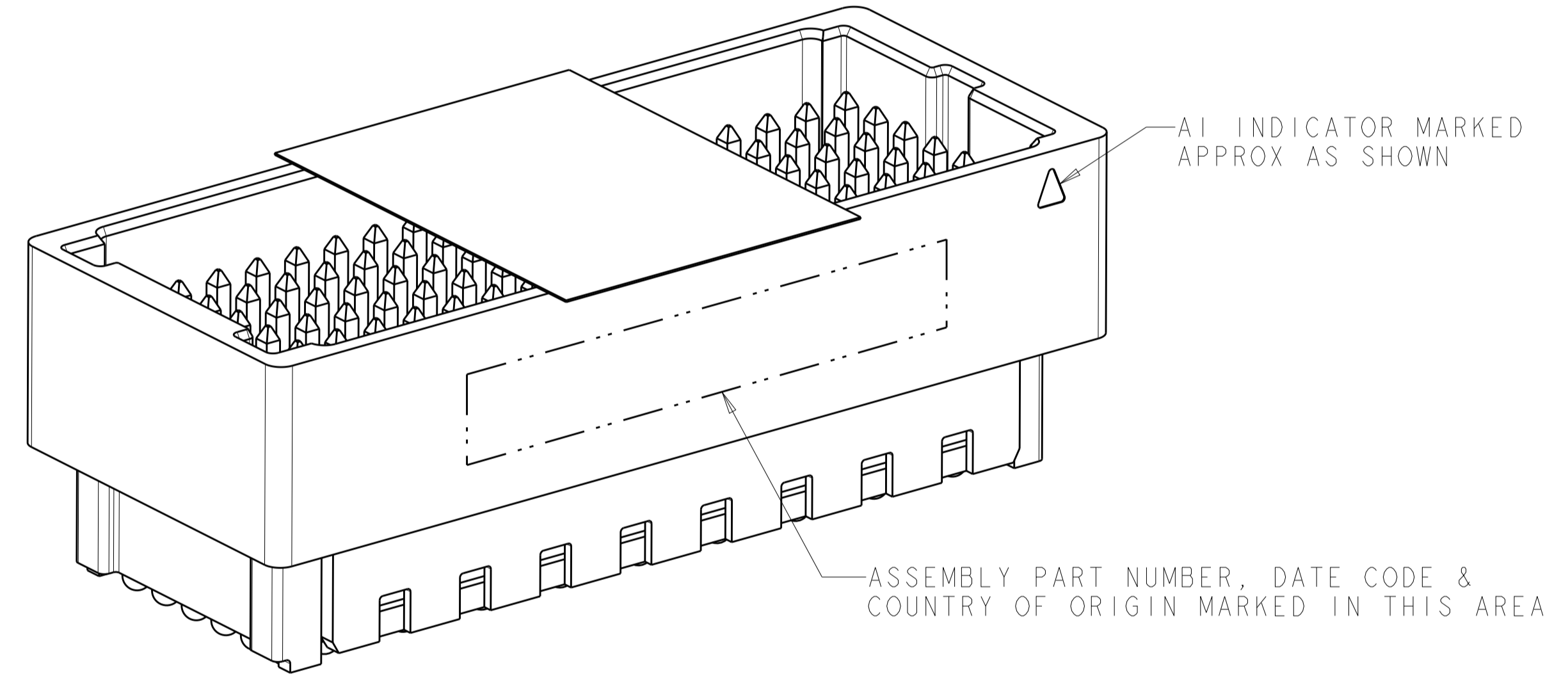
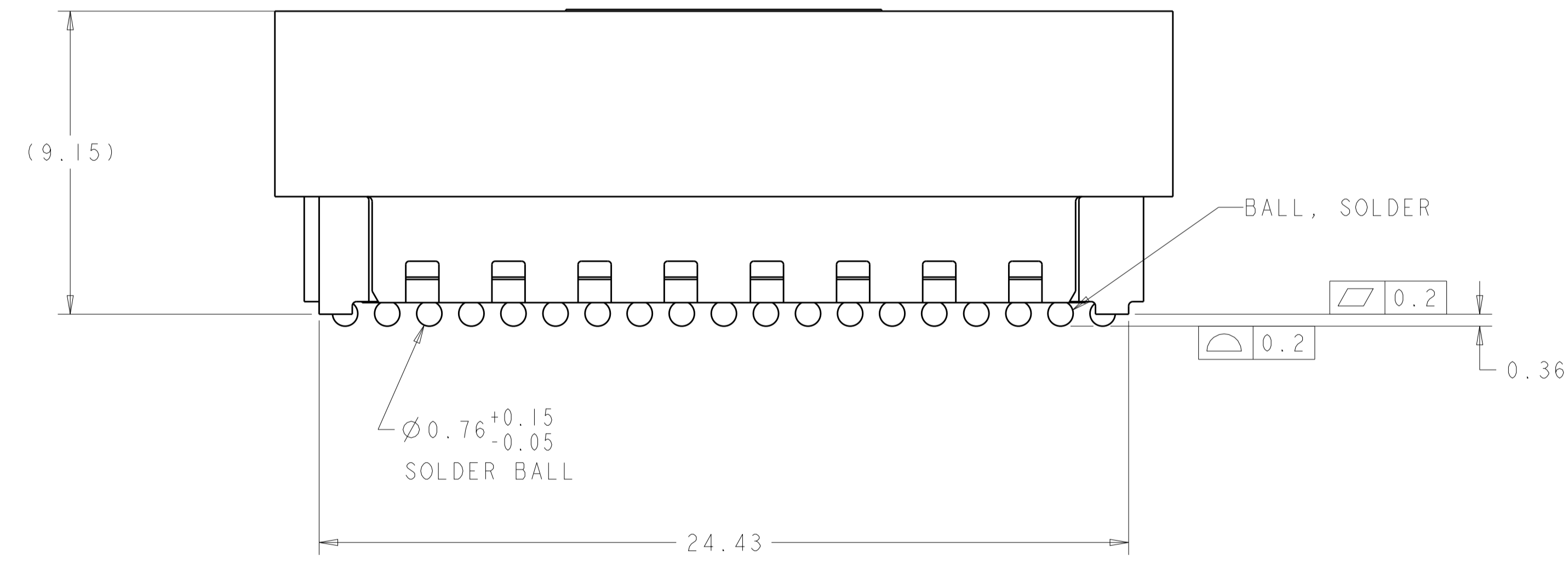
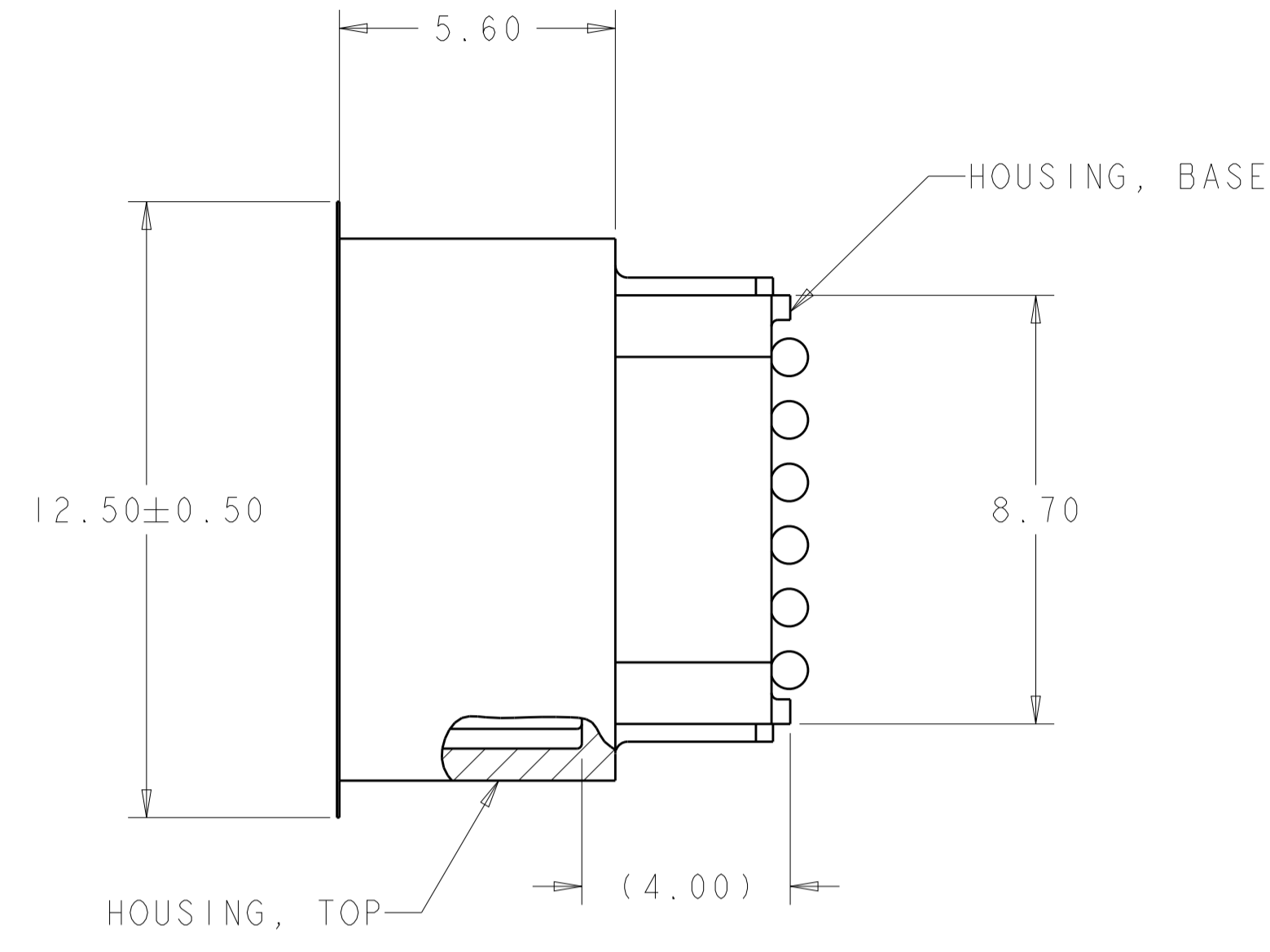
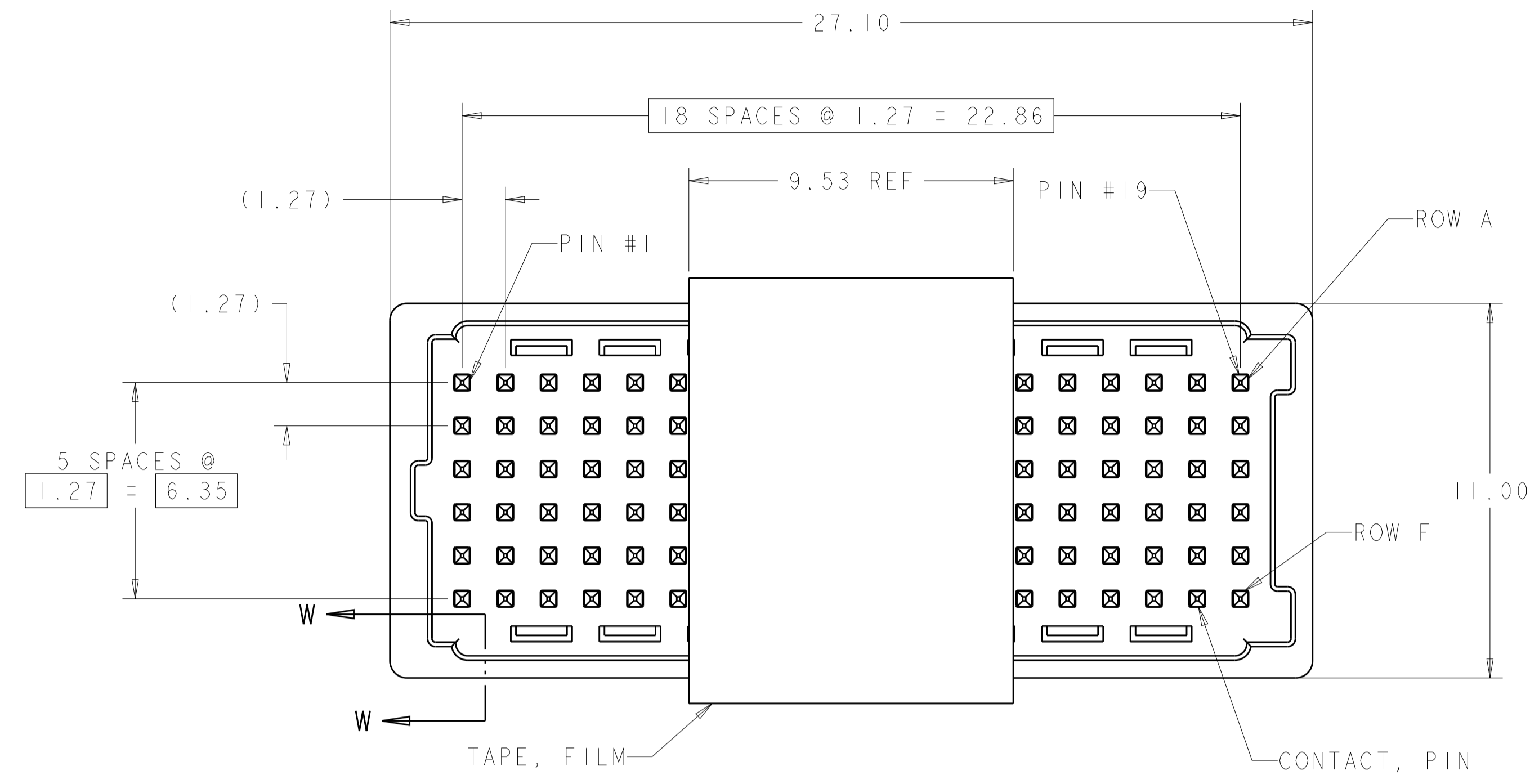
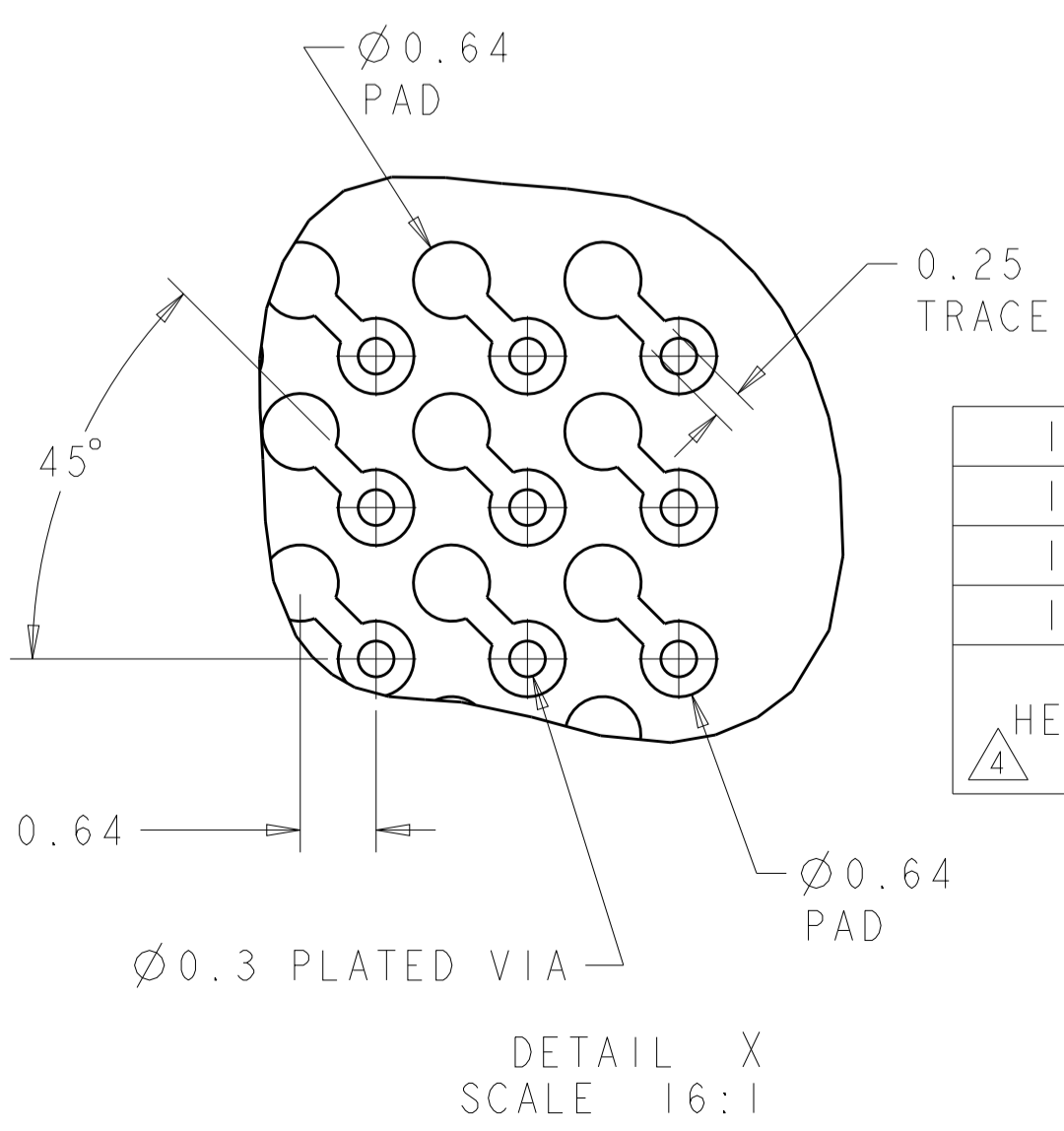
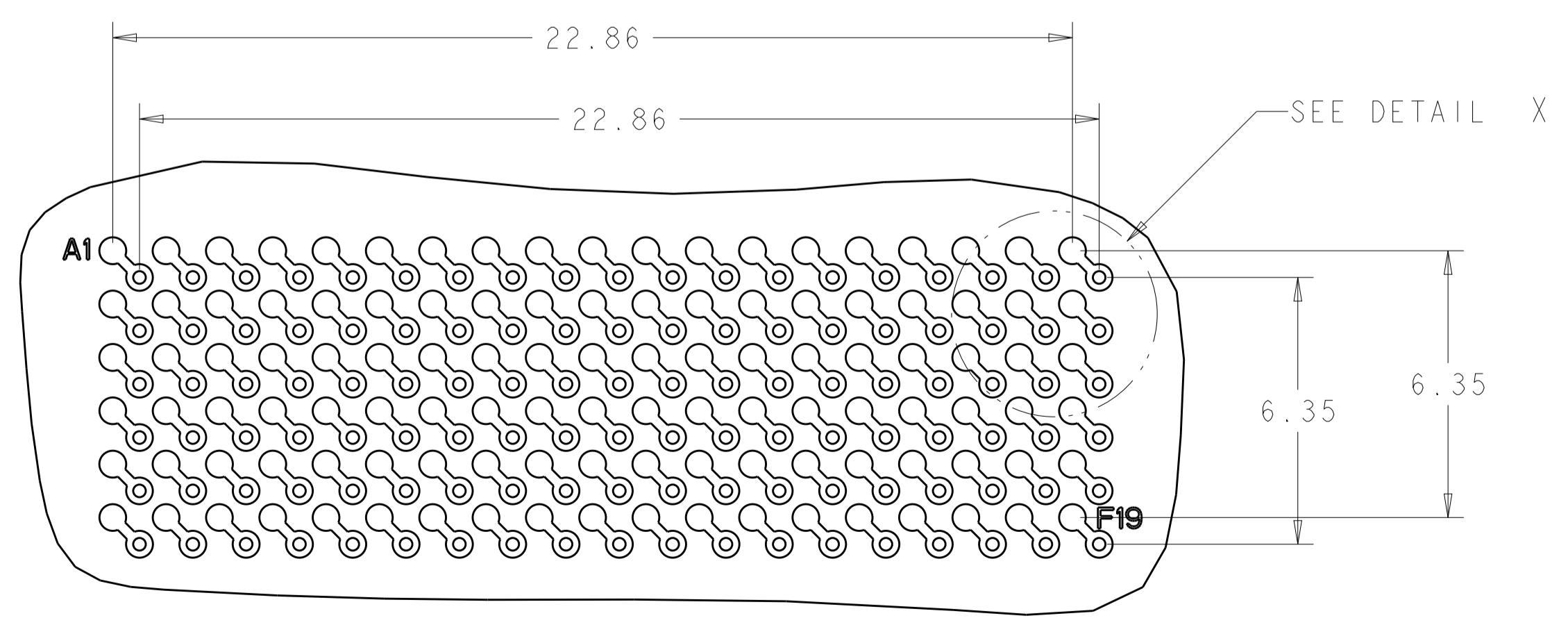


LOC		DIST		REVISIONS			
P	LTH	DESCRIPTION	DATE	DMN	APVD		
H		REV PER ECO 13-007231	4-29-13	CT	DH		



- ⚠ MATERIAL: HOUSINGS; LCP, COLOR-NATURAL CONTACT; PHOSPHOR BRONZE SOLDER BALL; SEE TABLE TAPE, FILM; KAPTON WITH SILICON ADHESIVE
- ⚠ FINISH: CONTACT; GOLD (SEE TABLE) ON MATING AREA OVER NICKEL ON ENTIRE CONTACT.
- 3. PRODUCT IS PACKAGED ON TAPE AND REELED.
- ⚠ PRELIMINARY- NOT RELEASED FOR PRODUCTION



1-2102061-6	1-2102061-2	2102061-8	2102061-6	0.76 μm	LEAD FREE PER SAC405	2102060-4
1-2102061-5	1-2102061-1	2102061-7	2102061-5	0.76 μm	TIN LEAD	2102060-3
1-2102061-4	1-2102061-0	2102061-4	2102061-2	1.27 μm	LEAD FREE PER SAC405	2102060-2
1-2102061-3	2102061-9	2102061-3	2102061-1	1.27 μm	TIN LEAD	2102060-1
15mm STACK HEIGHT MATING CONNECTOR	18mm STACK HEIGHT MATING CONNECTOR	12mm STACK HEIGHT MATING CONNECTOR	10mm STACK HEIGHT MATING CONNECTOR	GOLD PLATING THICKNESS	SOLDER BALL MATERIAL	PART NUMBER

PCB LAYOUT (CONNECTOR SIDE) SCALE - 8:1

THIS DRAWING IS A CONTROLLED DOCUMENT.

DMN: G. DOWNEY 21JUL2009
 CHK: K. DOWHOWER 21JUL2009
 APVD: K. DOWHOWER 21JUL2009

STE TE Connectivity

NAME: ASSEMBLY, PIN, 114 POSITION, MEZALOK STACKING CONNECTOR

PRODUCT SPEC: 108-2411
 APPLICATION SPEC: 114-13279

SIZE: A1
 CAGE CODE: 100779
 DRAWING NO: 2102060

Customer Drawing SCALE: 8:1 SHEET: 1 OF 1 REV: H