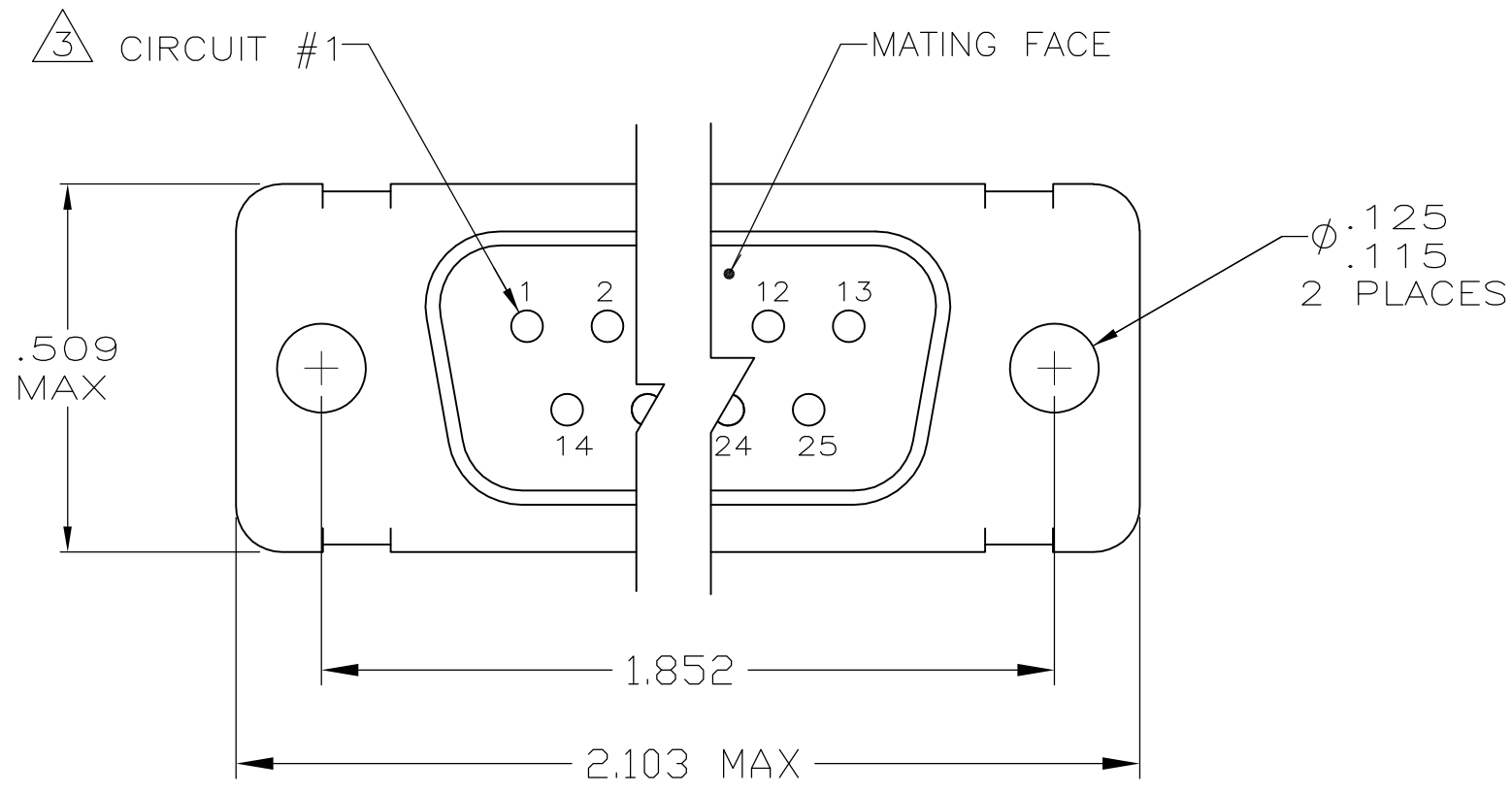
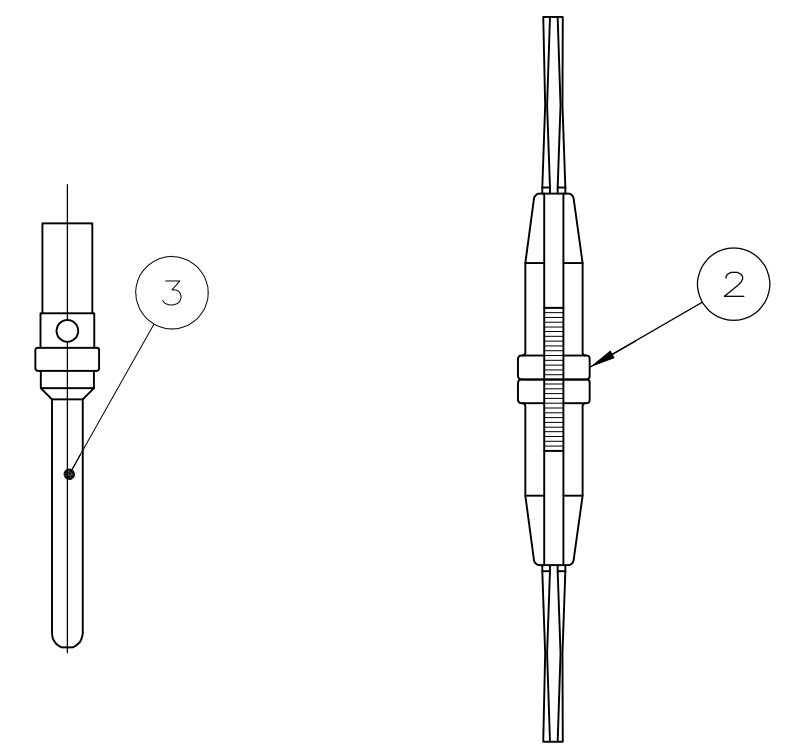
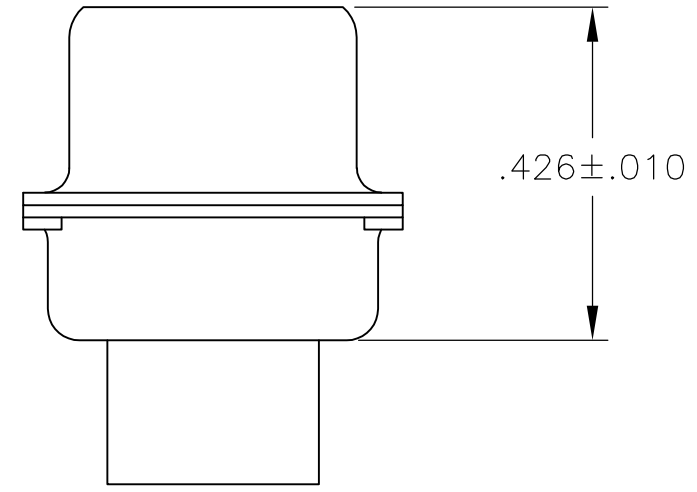
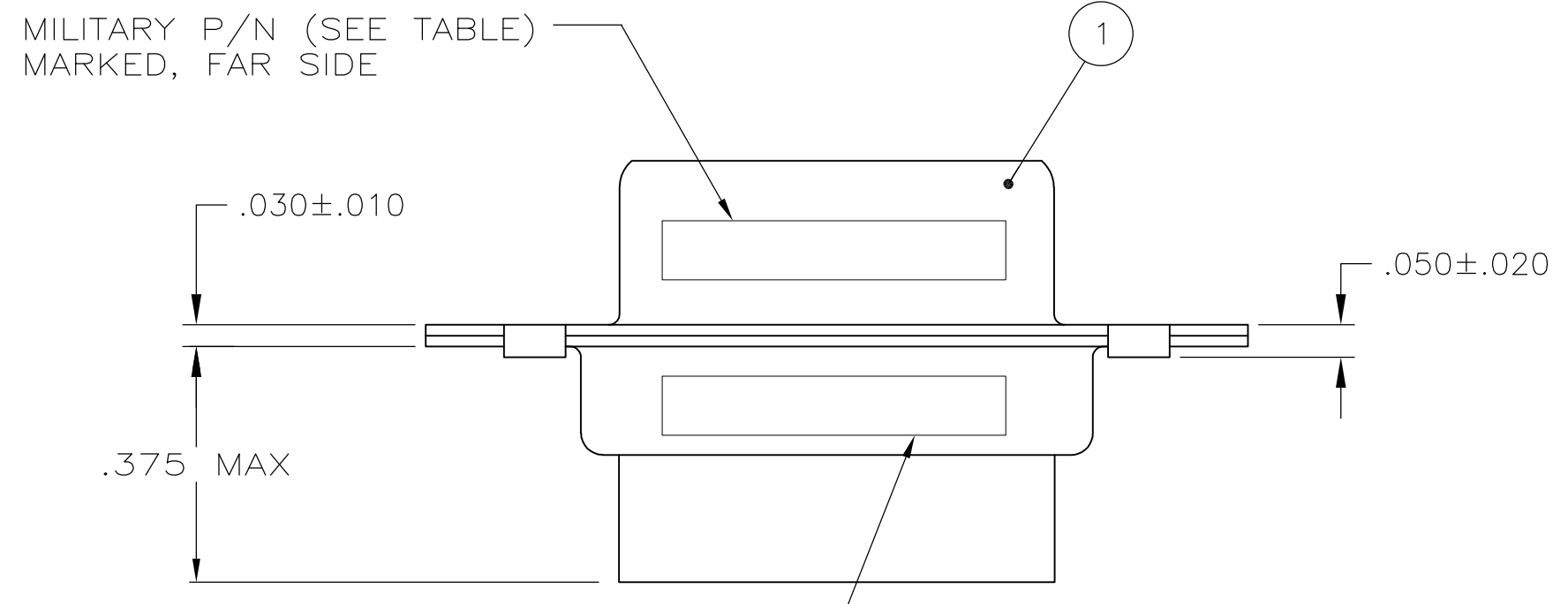


THIS DRAWING IS UNPUBLISHED. RELEASED FOR PUBLICATION
 © COPYRIGHT - By - ALL RIGHTS RESERVED.

LOC		DIST		REVISIONS			
P	LTR	DESCRIPTION	DATE	DWN	APVD		
	J1	REVISED PER ECO-11-005030	11MAR11	RK	HMR		



1 FOR CONNECTOR ASSEMBLIES, TE CONNECTIVITY CONTACT PART NOS. 205089-1 MUST BE ORDERED SEPARATELY. CONNECTORS WITH CONTACTS ARE SUPPLIED WITH CONTACT 205089-1



MFG'S NAME, BRAND OR LOGO AND DATE CODE MARKED, FAR SIDE

MILITARY P/N (SEE TABLE) MARKED, FAR SIDE

	OBSOLETE	205560-5	M24308/8-8F	205089-1	91067-2	205166-2	205560-5	
	SUPERSEDED BY 206800-2 AND 205089-1	205560-4	M24308/8-3F	205089-1	-	205166-2	205560-4	
		205560-3	M24308/4-8F	205089-1	91067-2	205166-1	205560-3	
		205560-2	M24308/4-3F	205089-1	-	205166-1	205560-2	
	SUPERSEDED BY 205166-1 AND 91067-2	205560-1	-	-	91067-2	205166-1	205560-1	
		P/N MARKED ON PACKAGE	MILITARY P/N MARKED ON PACKAGE	3 PIN CONTACT QTY. = 25	1	2 INSERTION/EXTRACTION TOOL QTY. = 1	1 PLUG ASSY QTY. = 1	PART NUMBER

THIS DRAWING IS A CONTROLLED DOCUMENT.

DWN	P. YEAGER	11MAR09
CHK	R. LEASE	12MAR09
APVD	R. LEASE	12MAR09

TE Connectivity

AMPLIMITE, KIT,HDM-20, SERIES, PLUG, SIZE 3, 25 POSITION

SIZE	A2	CAGE CODE	00779	DRAWING NO	C=205560	RESTRICTED TO	-
SCALE	4:1	SHEET	1 of 1	REV	J1		

CUSTOMER DRAWING