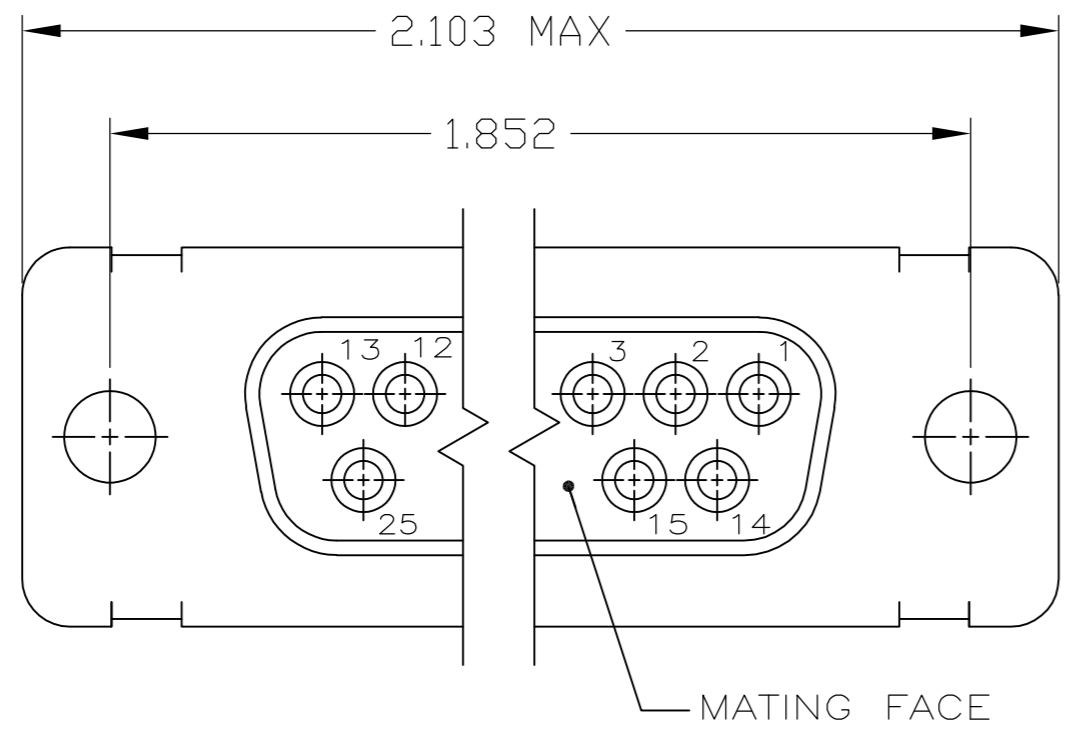


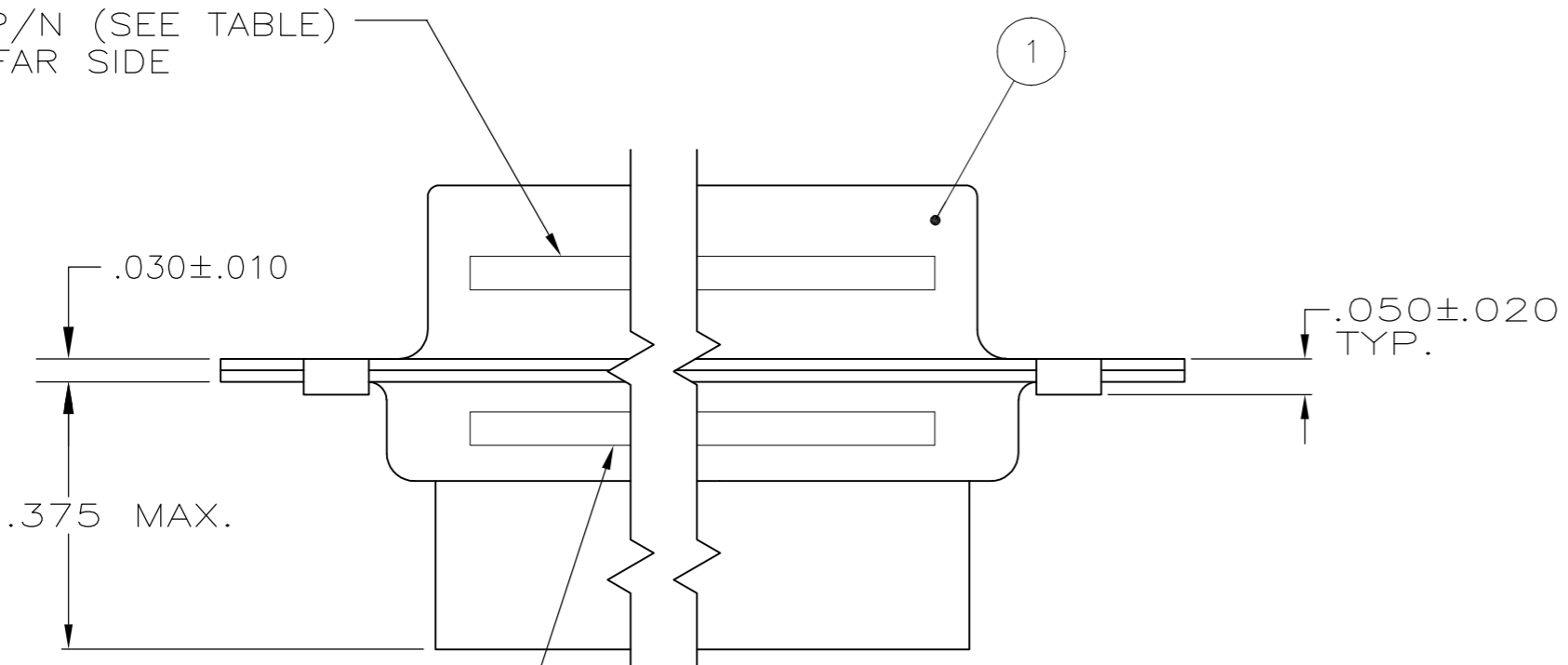
THIS DRAWING IS UNPUBLISHED. RELEASED FOR PUBLICATION
 © COPYRIGHT - By - ALL RIGHTS RESERVED.

LOC		DIST		REVISIONS			
P	LTR	DESCRIPTION		DATE	DWN	APVD	
-	-	H1	REVISED PER ECO-11-005030	11MAR11	RK	HMR	

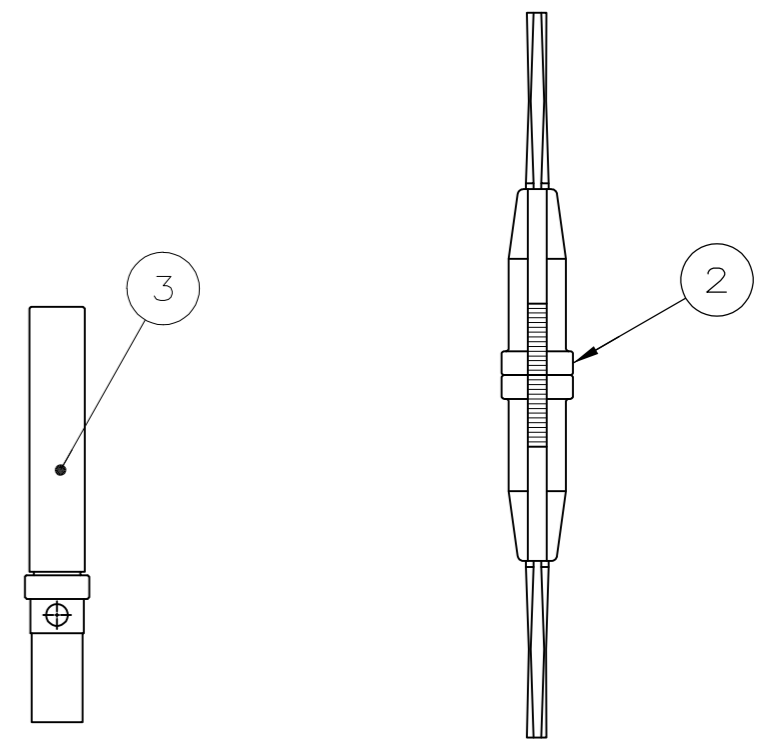
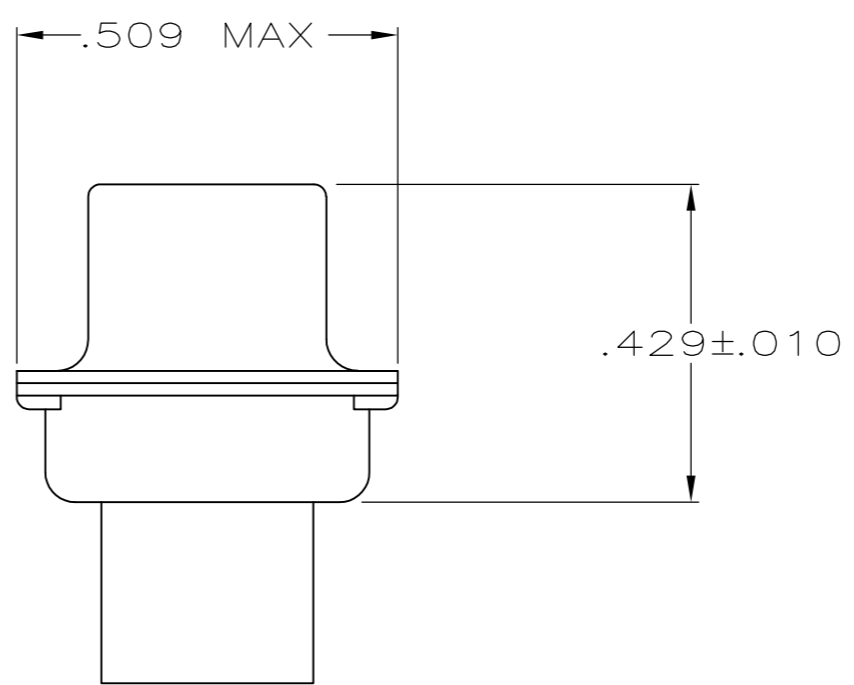


1 FOR CONNECTOR ASSEMBLIES, TE CONNECTIVITY CONTACT PART NOS. 205090-1 MUST BE ORDERED SEPARATELY. CONNECTORS WITH CONTACTS ARE SUPPLIED WITH CONTACT 205090-1

MILITARY P/N (SEE TABLE) MARKED, FAR SIDE



MFG'S NAME, BRAND OR LOGO AND DATE CODE MARKED, FAR SIDE



SUPERSEDED BY 206801-2 & 206793-1 AND 91067-2	205433-3	M24308/2-35F	205090-1	91067-2	205165-2	205559-5
SUPERSEDED BY 206801-2 AND 206793-1	205433-3	M24308/2-35F	205090-1	-	205165-2	205559-4
	205433-3	M24308/2-35F	205090-1	91067-2	205165-1	205559-3
	205433-2	M24308/2-24F	205090-1	-	205165-1	205559-2
SUPERSEDED BY 205165-1 AND 91067-2	205433-1	-	-	91067-2	205165-1	205559-1

P/N MARKED ON PACKAGE	MILITARY P/N MARKED ON PACKAGE	3 SOCKET CONTACT QTY. = 25	2 INSERTION/EXTRACTION TOOL QTY. = 1	1 RECEPTACLE ASSY QTY. = 1	PART NUMBER
-----------------------	--------------------------------	----------------------------	--------------------------------------	----------------------------	-------------

THIS DRAWING IS A CONTROLLED DOCUMENT.

DWN P. YEAGER 10MAR09		KIT, HDM SERIES		
CHK R. LEASE 12MAR09		RECEPTACLE, SIZE 3, 25 POSN		
APVD R. LEASE 12MAR09		SIZE A2	CAGE CODE 00779	DRAWING NO C-205559
PRODUCT SPEC		SCALE 4:1	SHEET 1 of 1	REV H1

MATERIAL: - FINISH: -

TOLERANCES UNLESS OTHERWISE SPECIFIED:
 0 PLC ± -
 1 PLC ± -
 2 PLC ± -
 3 PLC ± .005
 4 PLC ± -
 ANGLES ± -

APPLIC. SPEC: -
 WEIGHT: -
 CUSTOMER DRAWING