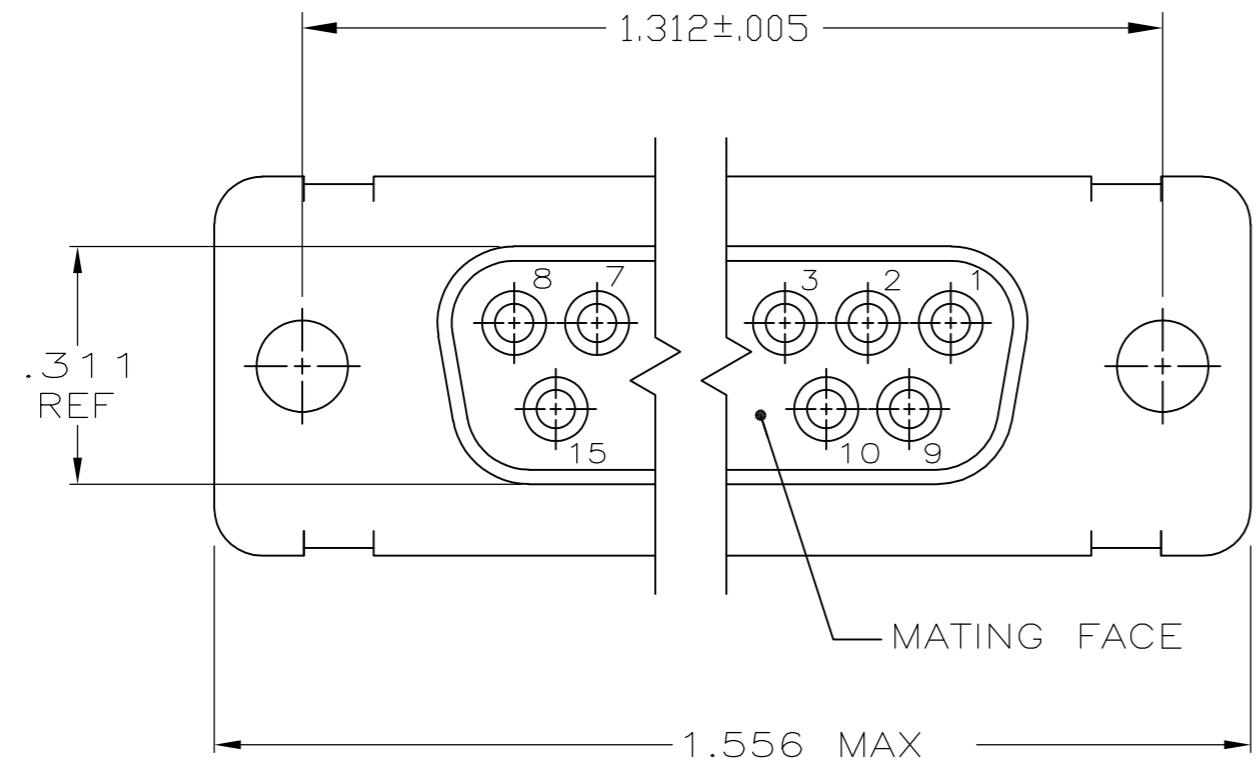


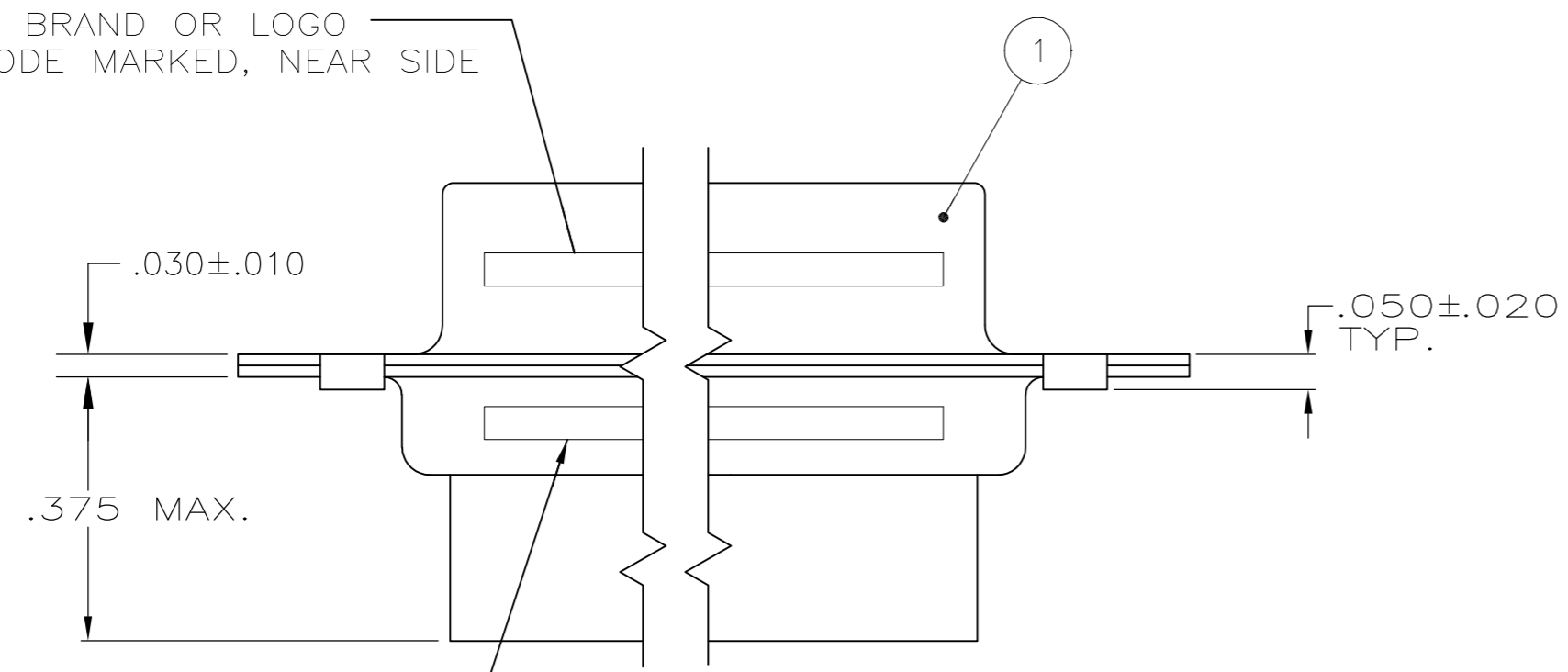
THIS DRAWING IS UNPUBLISHED. RELEASED FOR PUBLICATION
 © COPYRIGHT - By - ALL RIGHTS RESERVED.

LOC		DIST		REVISIONS			
P	LTR	DESCRIPTION	DATE	DWN	APVD		
-	-	H1	REVISED PER ECO-11-005030	11MAR11	RK	HMR	

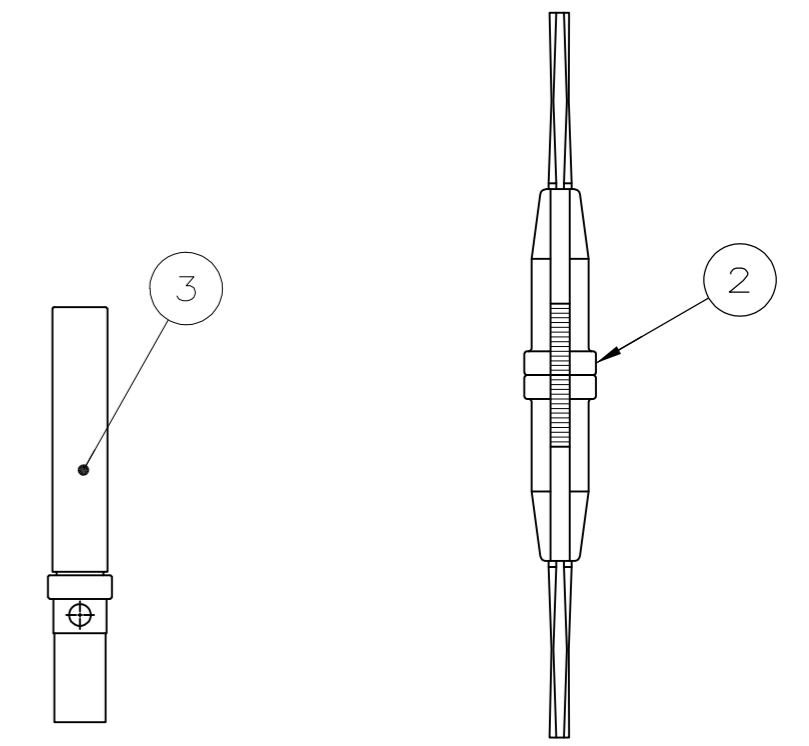
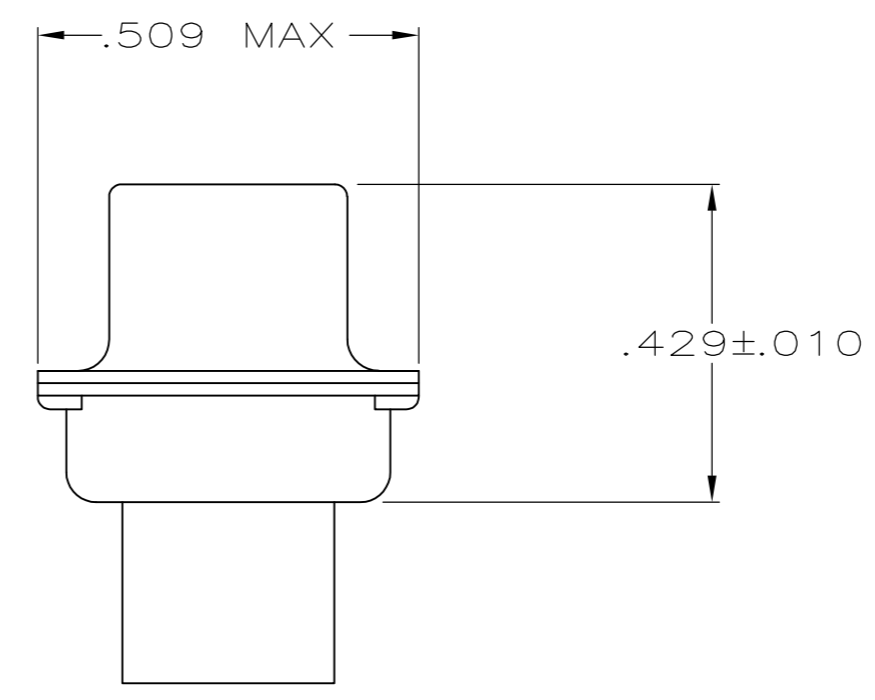


1 FOR CONNECTOR ASSEMBLIES, TE CONNECTIVITY CONTACT PART NOS. 205090-1 MUST BE ORDERED SEPARATELY. CONNECTORS WITH CONTACTS ARE SUPPLIED WITH CONTACT 205090-1

MFG'S NAME, BRAND OR LOGO AND DATE CODE MARKED, NEAR SIDE



MILITARY P/N (SEE TABLE) MARKED, FAR SIDE



	OBSOLETE	205557-3	M24308/6-7F	205090-1	91067-2	205163-2	205557-5
SUPERSEDED BY 205433-2 AND 91067-2		205557-3	M24308/6-2F	205090-1	-	205163-2	205557-4
		205557-3	M24308/2-7F	205090-1	91067-2	205163-1	205557-3
		205557-2	M24308/2-2F	205090-1	-	205163-1	205557-2
SUPERSEDED BY 205417-1 AND 91067-2		205557-1	-	-	91067-2	205163-1	205557-1
	TE CONNECTIVITY P/N MARKED ON PACKAGE	MILITARY P/N MARKED ON PACKAGE	SOCKET CONTACT QTY. = 15	INSERTION/EXTRACTION TOOL QTY. = 1	RECEPTACLE ASSY QTY. = 1	PART NUMBER	

THIS DRAWING IS A CONTROLLED DOCUMENT.

DWN	P. YEAGER	10MAR09
CHK	R. LEASE	12MAR09
APVD	R. LEASE	12MAR09

TE Connectivity

KIT, HDM SERIES
RECEPTACLE, SIZE 2,15 POSITION
AMPLIMITE

SIZE	CAGE CODE	DRAWING NO	RESTRICTED TO
A2	00779	C-205557	-

SCALE 4:1 SHEET 1 OF 1 REV H1