

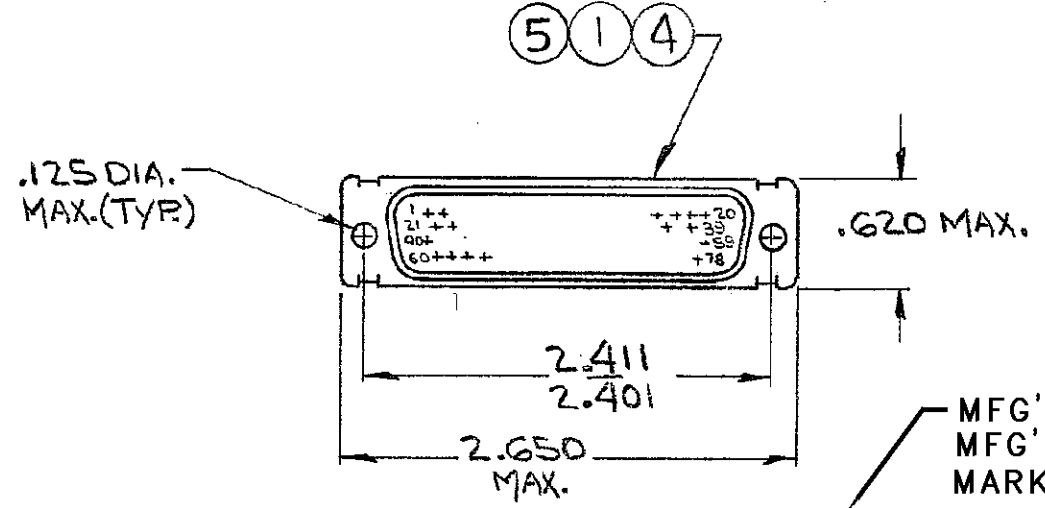
DRAWING MADE IN AMERICAN PROJECTION

© 1970 BY AMP INCORPORATED. ALL RIGHTS RESERVED. AMP PRODUCTS COVERED BY PATENTS AND/OR PATENTS PENDING.

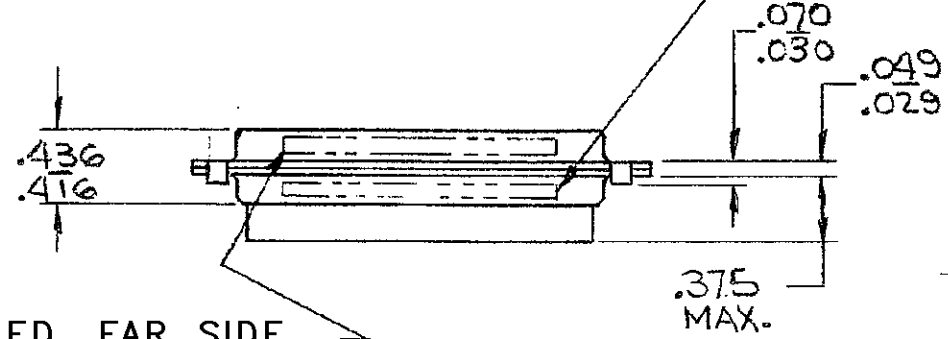
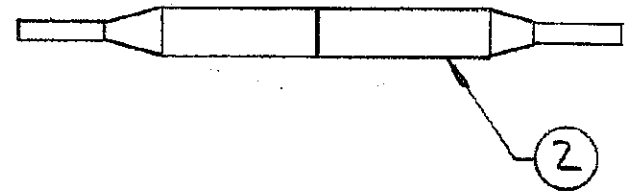
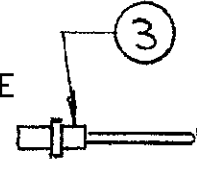
Unpublished copy not to be reproduced without written permission of AMP Incorporated.

REVISIONS				
ZONE	LTR	DESCRIPTION	DATE	APPROVED
	A	REV. PER ECN B-684	4/11/72	[Signature]
	B	REV. PER ECN B-948	5/19/73	[Signature]
	C	ITEM 2 WAS 91054-1 ECN C-878	3/19/74	[Signature]
	D	REV PER ECN J-709	9-8-80	[Signature]
	E	REV PER DF-0021 & DF0160 & DF-0541 & R-2670 & DF-0370	6-2-88	EAM
	F	REV PER DF4250	5-91	AE
	G	REV PER 0600-6676-97	7-98	CT
	H	ECO-08-023688	11-08	BW

D
C
B
A



MFG'S NAME, BRAND OR LOGO, MFG'S PART NO AND DATE CODE MARKED, FAR SIDE



MARKED, FAR SIDE
M 24308/4-15 (1, 2, 3, F ONLY)
M 24308/8-15 (4, 5, 6 ONLY)
MARKED, FAR SIDE
10D649, LITTON IND. P/N (-7 ONLY)

1	-	-	-	-	-	C	204509-4	PLUG ASSY, SIZE 5 (STEEL SHELL)	5
X	-	-	-	-	-			LITTON IND. P/N 10D649 MARKED ON PACKAGE	
-	-	X	-	-	-			MIL No. M24308/8-15F MARKED ON PACKAGE	
-	-	-	-	X	-			MIL No. M24308/4-15F MARKED ON PACKAGE	
-	X	-	-	-	-			MIL No. M24308/8-21F MARKED ON PACKAGE	
-	-	-	X	-	-			MIL No. M24308/4-21F MARKED ON PACKAGE	
-	1	1	1	-	-	C	204509-2	PLUG ASSY, SIZE 5 (BRASS SHELL)	4
18	18	18	-	18	18	B	204370-2	CONTACT, PIN - SIZE 220	3
-	1	-	1	1	-	B	91067-1	INSERTION/EXTRACTION TOOL	2
1	-	-	-	1	1	C	204509-1	PLUG ASSY, SIZE 5 (STEEL SHELL)	1
-7	-6	-5	-4	-3	-2	-1	DSGN NUMBER	NAME	ITEM No.

LOC
DF
4968

△ SUPSD BY 206504-4 & (78) 204370-8

UNLESS OTHERWISE SPECIFIED DIMENSIONS ARE IN INCHES TOLERANCES ON: DECIMALS ± # ANGLES ± #	CONTRACT NO.	AMP INCORPORATED HARRISBURG, PENNSYLVANIA	
	DR. [Signature] 12/1/70	NAME KIT, "HDD" SERIES, PLUG, SIZE #5 (78 POS.)	
MATERIAL #	CHKD [Signature] 12-3-70	SIZE	CODE IDENT NO.
	APPD [Signature] 12-8-70	B	00779
	REL [Signature] 12-9-70	NUMBER	204521
	DSGN APPD [Signature]	REV	H
	OTHER APPD	SCALE #	SHEET 1 OF 1