

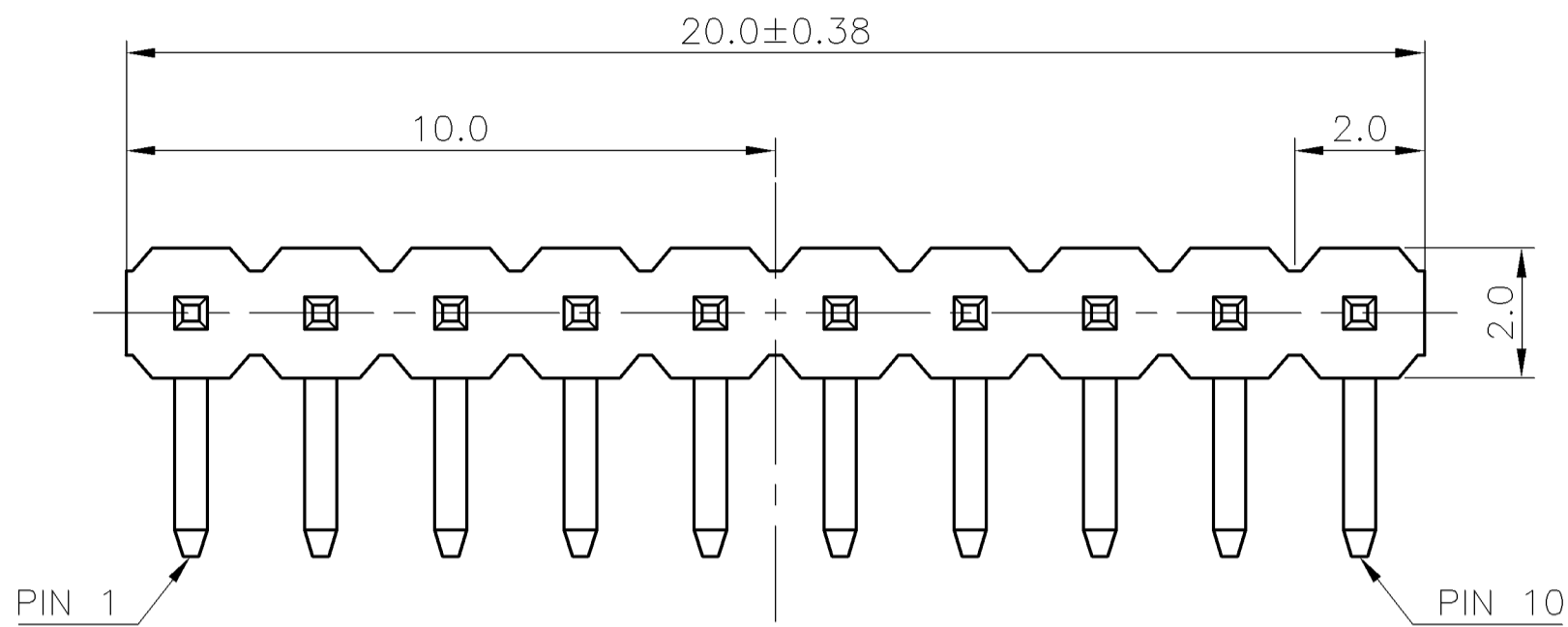
THIS DRAWING IS UNPUBLISHED. RELEASED FOR PUBLICATION AUG ,2006.

© COPYRIGHT - BY TYCO ELECTRONICS CORPORATION. ALL RIGHTS RESERVED.

LOC DW DIST

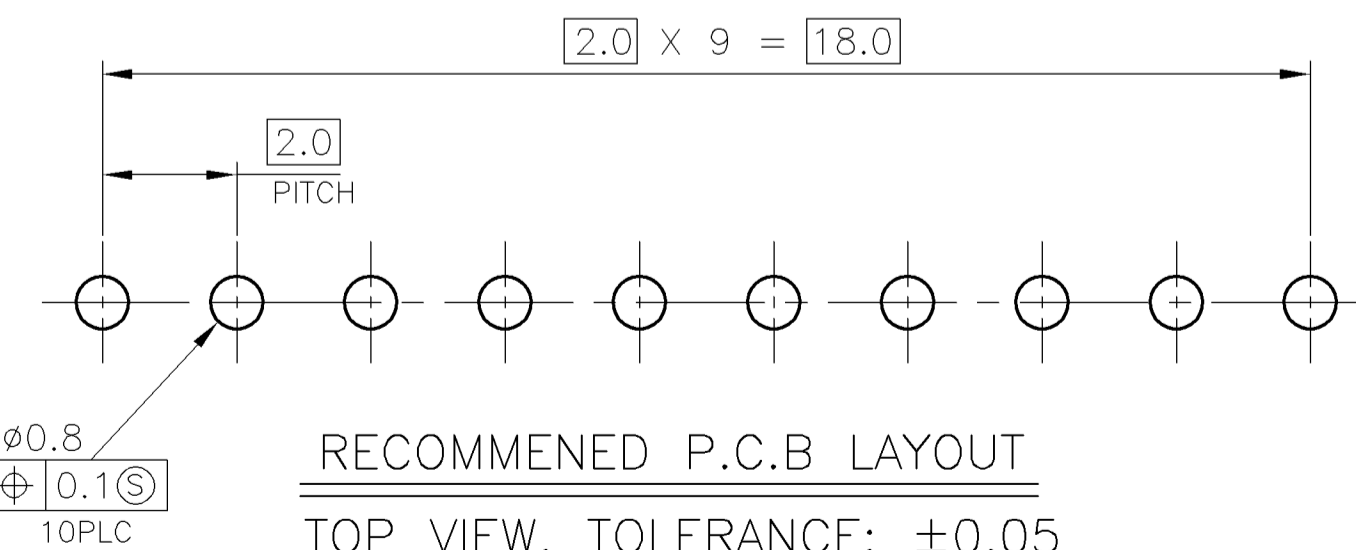
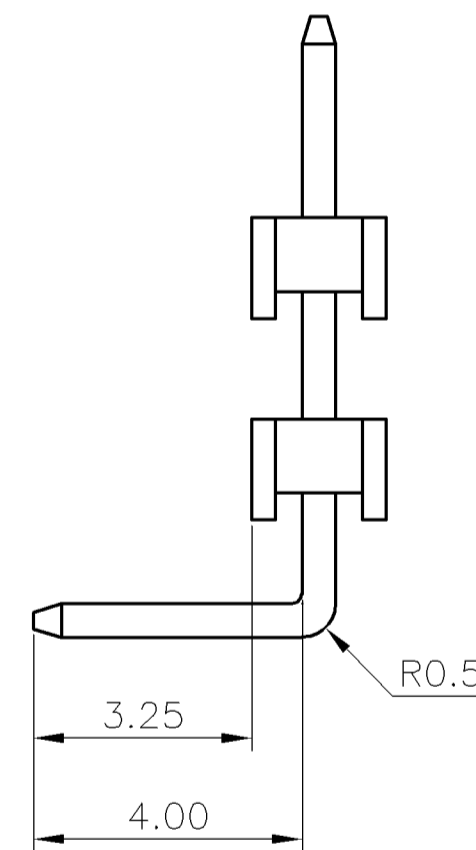
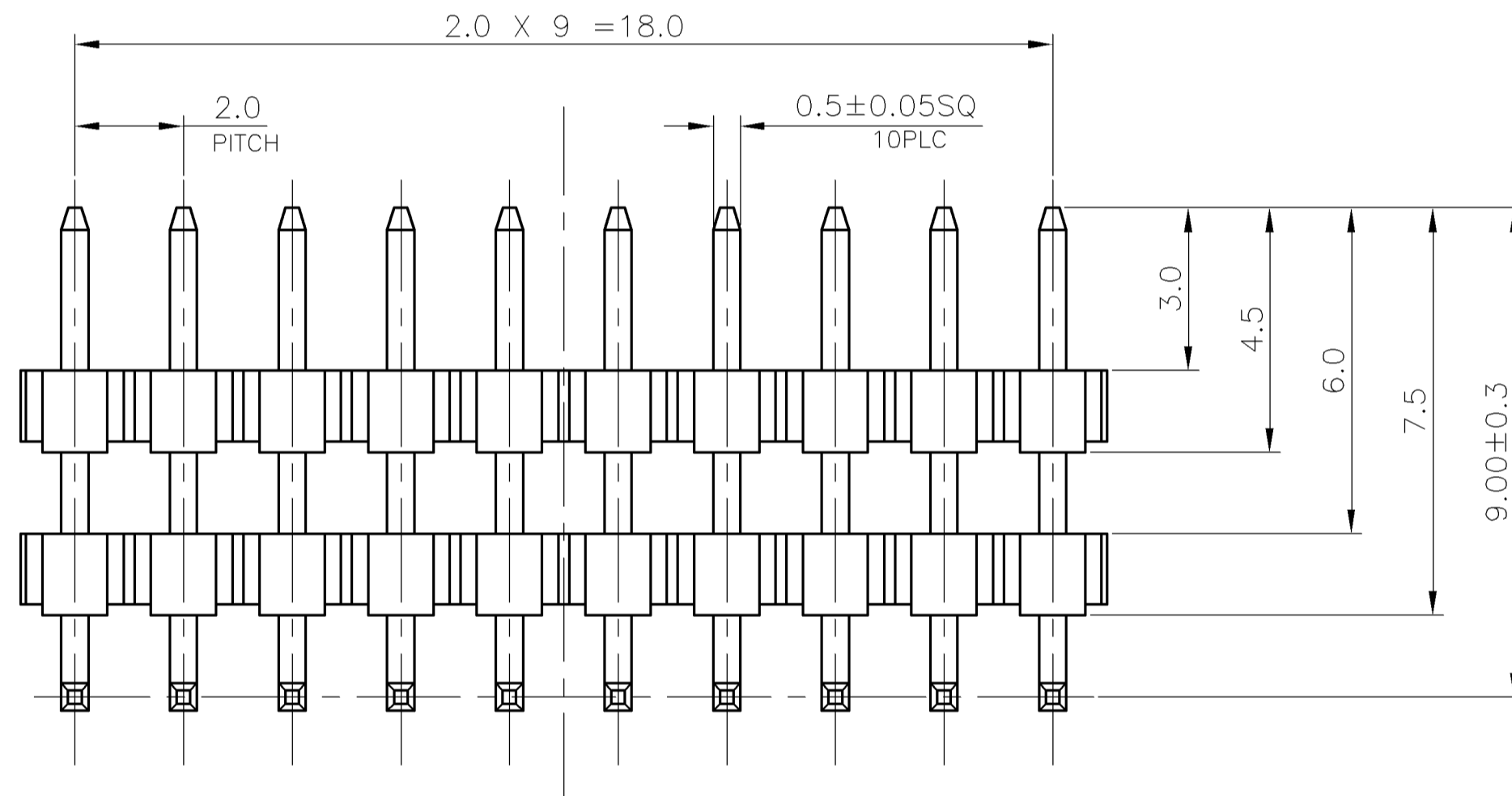
REVISIONS

P	LTR	DESCRIPTION	DATE	DWN	APVD
	A	RELEASED	20MAY'10	E.L.	W.K.



NOTES:

- MATERIAL:
 - HOUSING: PA6T WITH 33% GF, UL 94V-0, COLOR: BLACK.
 - CONTACT: BRASS.
- FINISH:
 - CONTACT: GOLD FLASH PLATING OVERALL. 0.762um[30u"] MIN. NICKEL UNDERPLATED OVERALL.
- RECOMMENDED PCB THICKNESS: 1.6mm
- WAVE SOLDER CAPABLE TO 265° PER TE SPEC. 109-201, CONDITION B



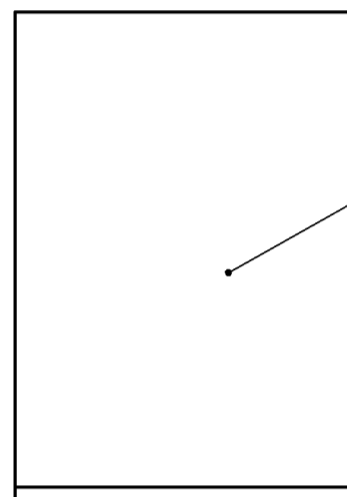
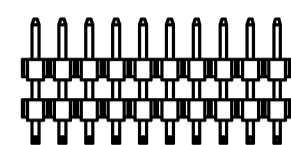
10	2041209-1
NO OF CONTACT	PART NUMBER

THIS DRAWING IS A CONTROLLED DOCUMENT.		DWN E. LIU 20MAY2010	Tyco Electronics Corporation Taipei, Taiwan	
DIMENSIONS: MM		CHK S. CHIEN 20MAY2010	NAME	
TOLERANCES UNLESS OTHERWISE SPECIFIED:		APVD W. KODAMA 20MAY2010	PRODUCT SPEC	
0 PLC ± -		108-57829		
1 PLC ± 0.3		APPLICATION SPEC		
2 PLC ± 0.2		SIZE CAGE CODE DRAWING NO RESTRICTED TO		
3 PLC ± 0.15		A3 00779 C=2041209		
4 PLC ± -		WEIGHT 0.42 GRAMS		
ANGLES ± 3°		CUSTOMER DRAWING		
MATERIAL SEE NOTE		FINISH SEE NOTE		
		SCALE SHEET 1 OF 2 REV A		

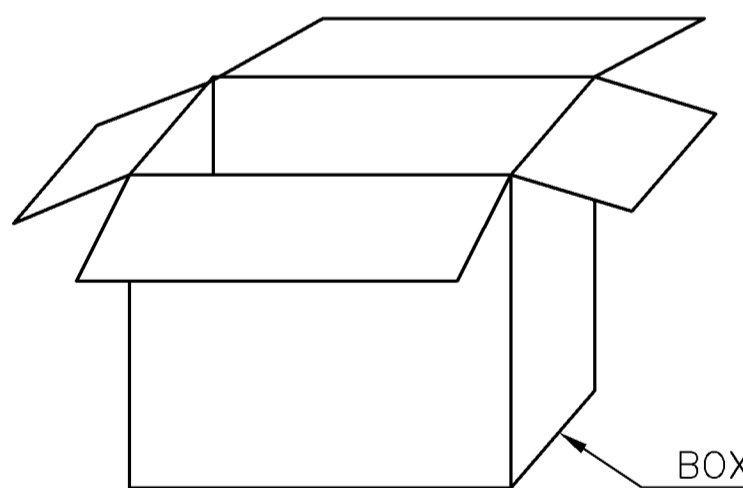
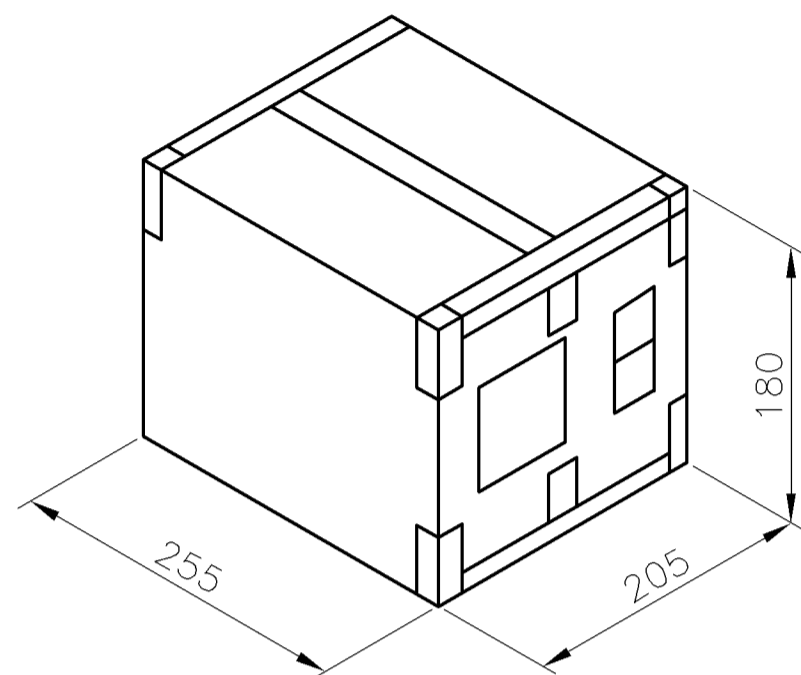
LOC DW DIST

REVISIONS

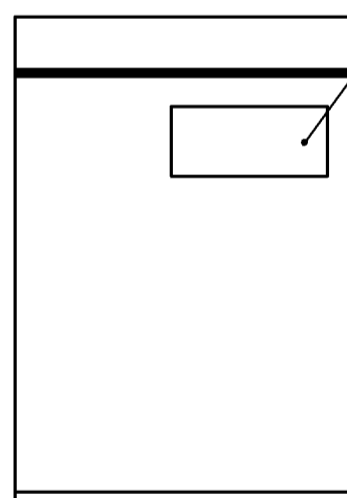
P	LTR	DESCRIPTION	DATE	DWN	APVD
		SEE SHEET 1.			



BAG



BOX



LABEL



NOTES:

- MATERIAL:
BAG: PE.
BOX: CORRUGATED FIBER.
- DIMENSION:
BAG: L=270mm, W=230mm, H=18.5mm
BOX: L=255mm, W=205mm, H=180mm
- QUANTITY:
(SEE TABLE)
- WEIGHT:
(SEE TABLE)
- EACH BAG SHALL BE INCLUDED:
* CLAY DESICCANT

3.10Kg	2.09Kg	1000	5	5000	2041209-1
GROSS WEIGHT	NET WEIGHT	PCS/BAG	BAG/BOX	PCS/BOX	PART NUMBER

THIS DRAWING IS A CONTROLLED DOCUMENT.		DWN	Tyco Electronics Corporation Taipei, Taiwan			
DIMENSIONS: MM		CHK	NAME			
TOLERANCES UNLESS OTHERWISE SPECIFIED:		APVD	PIN HEADER CONNECTOR 2.0mm PITCH, RIGHT ANGLE DIP TYPE			
0 PLC ± -		PRODUCT SPEC	SIZE			
1 PLC ± 0.3		APPLICATION SPEC	CAGE CODE	DRAWING NO	RESTRICTED TO	
2 PLC ± 0.2		WEIGHT	A3	00779	C=2041209	
3 PLC ± 0.15		CUSTOMER DRAWING	SCALE	SHEET	2 OF 2	REV A
4 PLC ± -						
ANGLES ± 3°						
MATERIAL						
FINISH						