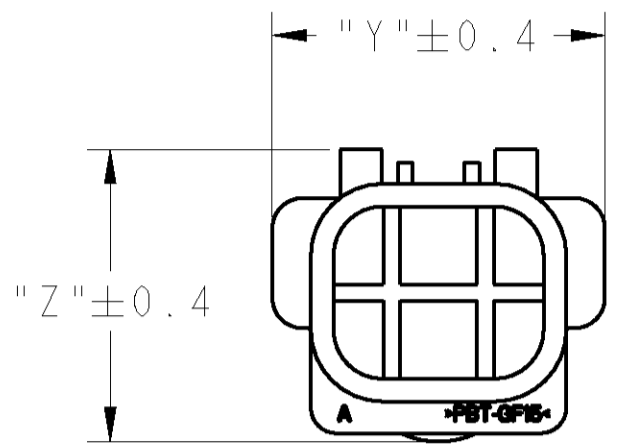
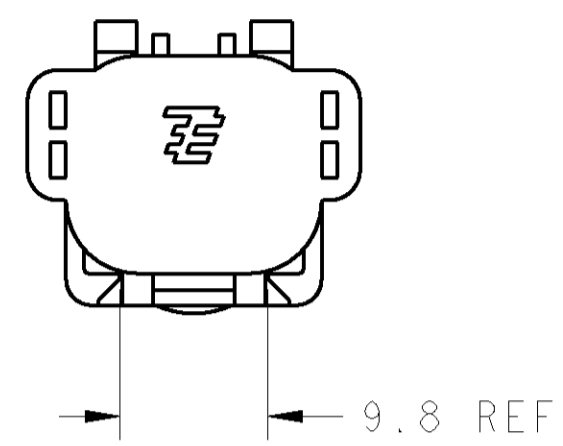
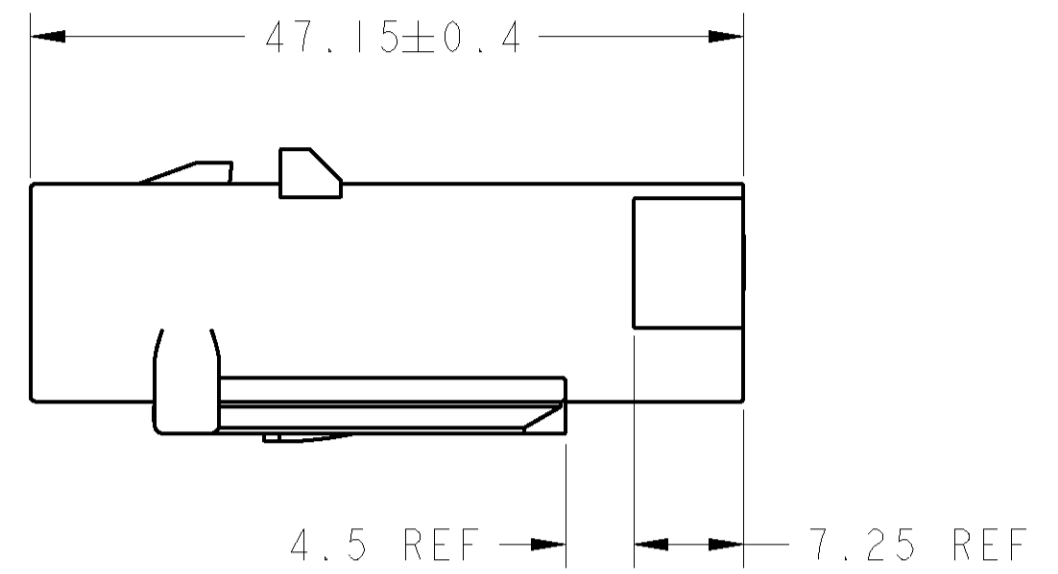


THIS DRAWING IS UNPUBLISHED. RELEASED FOR PUBLICATION 20  
 © COPYRIGHT 20 BY TYCO ELECTRONICS CORPORATION. ALL RIGHTS RESERVED.

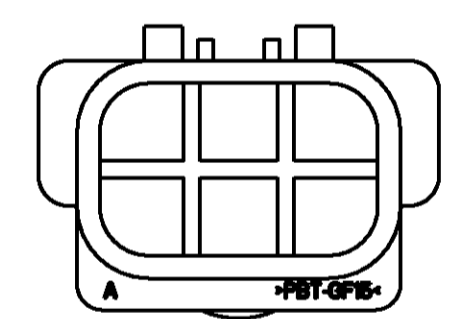
LOC	DIST	REVISIONS					
J	-	P	LTR	DESCRIPTION	DATE	DWN	APVD
		A		RELEASED	07OCT2009	J.A	T.K



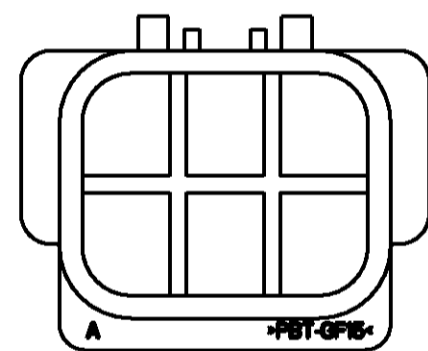
2 POS  
2040594-1  
SCALE 2:1



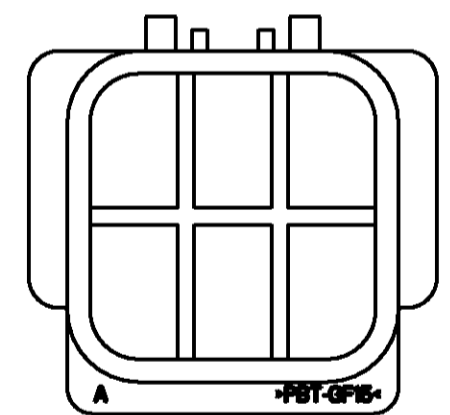
△ MATERIAL : 15% GLASS FILLED THERMOPLASTIC  
 COLOR : BLACK



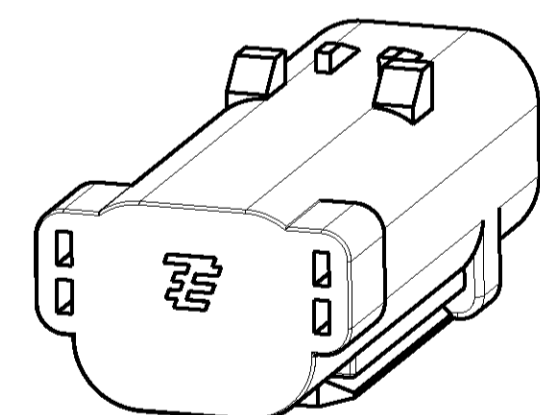
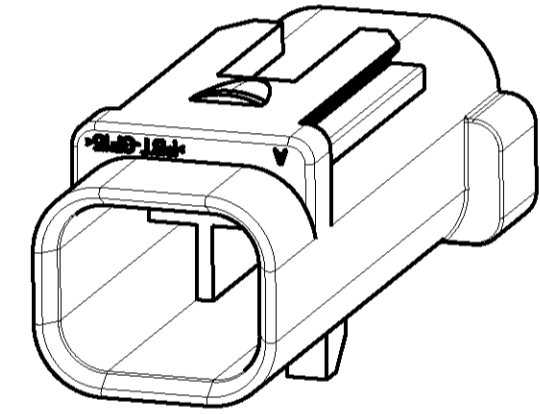
3 POS  
2040594-2  
SCALE 2:1



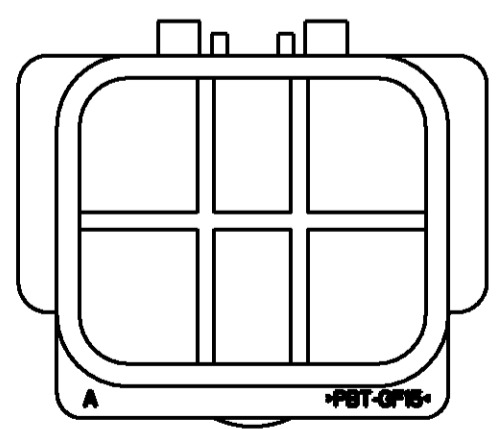
4 POS  
2040594-3  
SCALE 2:1



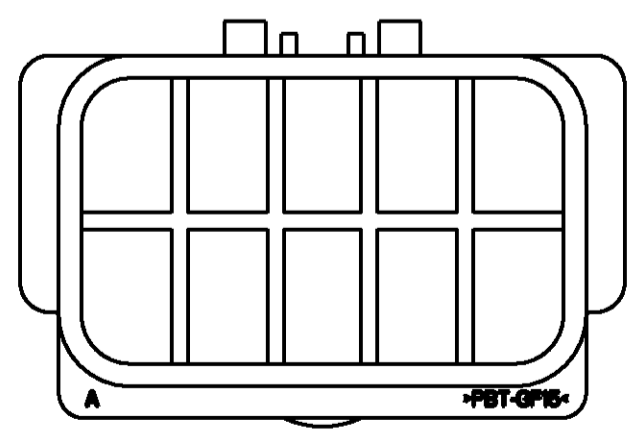
6 POS  
2040594-4  
SCALE 2:1



776533-1, -2, -3, -4	2040594-6
776437-1, -2, -3, -4	
776532-1, -2, -3, -4	2040594-5
776494-1, -2, -3, -4	
776531-1, -2, -3	2040594-4
776433-1, -2, -3	
776524-1, -2, -3, -4	2040594-3
776487-1, -2, -3, -4	
776523-1, -2, -3, -4	2040594-2
776429-1, -2, -3, -4	
776522-1, -2, -3, -4	2040594-1
776427-1, -2, -3, -4	
MATING RECEPTACLE HOUSING	PART NUMBER



8 POS  
2040594-5  
SCALE 2:1



12 POS  
2040594-6  
SCALE 2:1

26.8	40	12 POS	-6
26.8	31	8 POS	-5
26.8	27	6 POS	-4
22.6	27	4 POS	-3
19.3	26.5	3 POS	-2
19.3	22	2 POS	-1
DIM "Z"	DIM "Y"	DESCRIPTION	PART NO.

THIS DRAWING IS A CONTROLLED DOCUMENT FOR TYCO ELECTRONICS CORPORATION IT IS SUBJECT TO CHANGE AND THE CONTROLLING ENGINEERING ORGANIZATION SHOULD BE CONTACTED FOR THE LATEST REVISION		DWN 07OCT2009 J. AKASAKA CHK 07OCT2009 N. YAMASAKI APVD 07OCT2009 T. KIMURA	Tyco Electronics Corporation Kawasaki, Japan
DIMENSIONS: 単位: 純 mm	TOLERANCES UNLESS OTHERWISE SPECIFIED: 一般公差 ± 0-PLC ± 1-PLC ± 2-PLC ± 3-PLC ± 4-PLC ±	PRODUCT SPEC 製品規格 108-78716	NAME 名称 SEAL CAP HOUSING AMPSEAL 16 SEAL CAP
MATERIAL 材料	ANGLES FINISH 仕上	APPLICATION SPEC 取付適用規格	SIZE CAGE CODE DRAWING NO RESTRICTED TO 番号
CUSTOMER DRAWING		WEIGHT 重量 -	A200779 C-2040594 SCALE 2:1 SHEET 1 OF 1 REV A