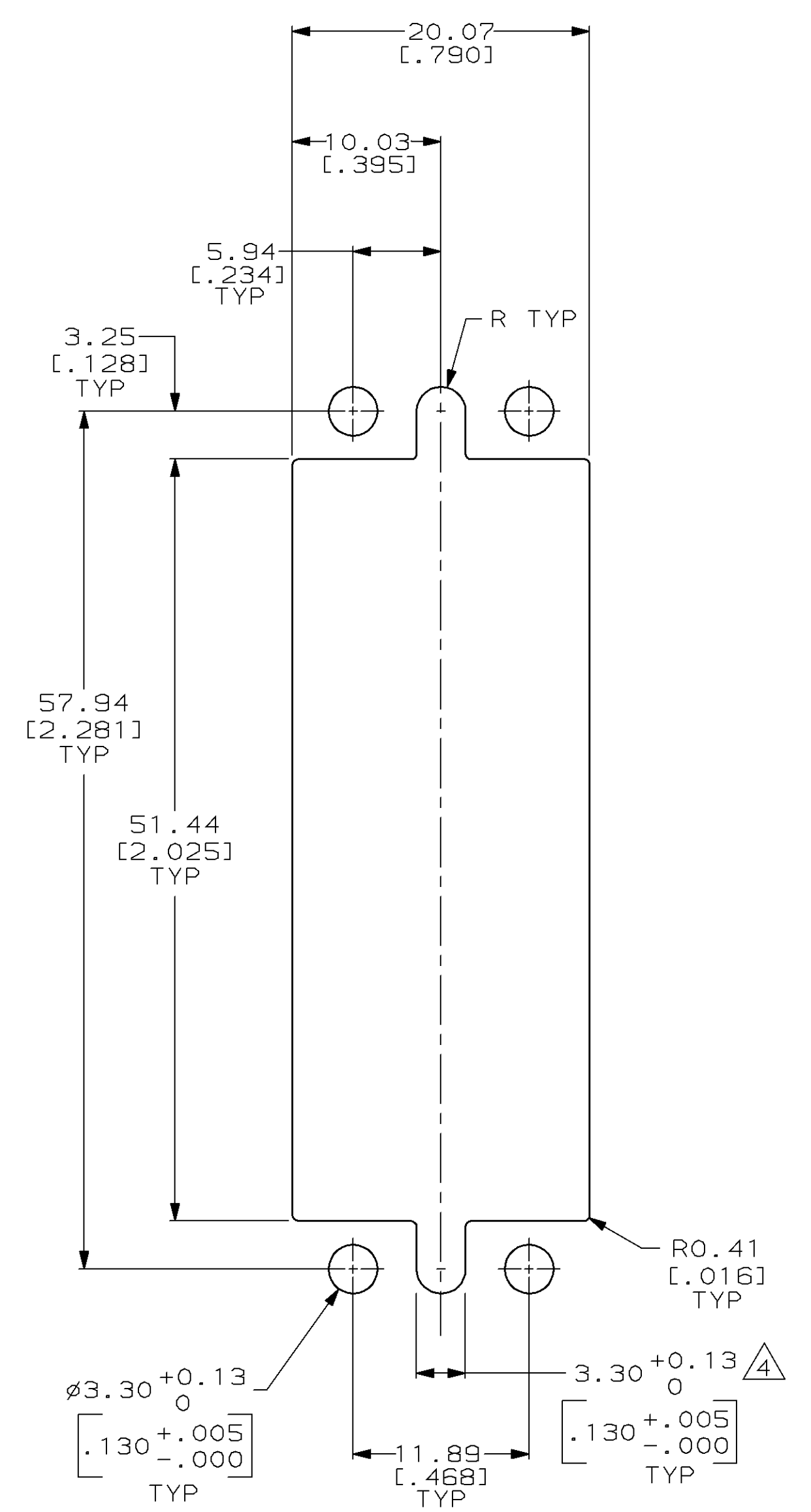
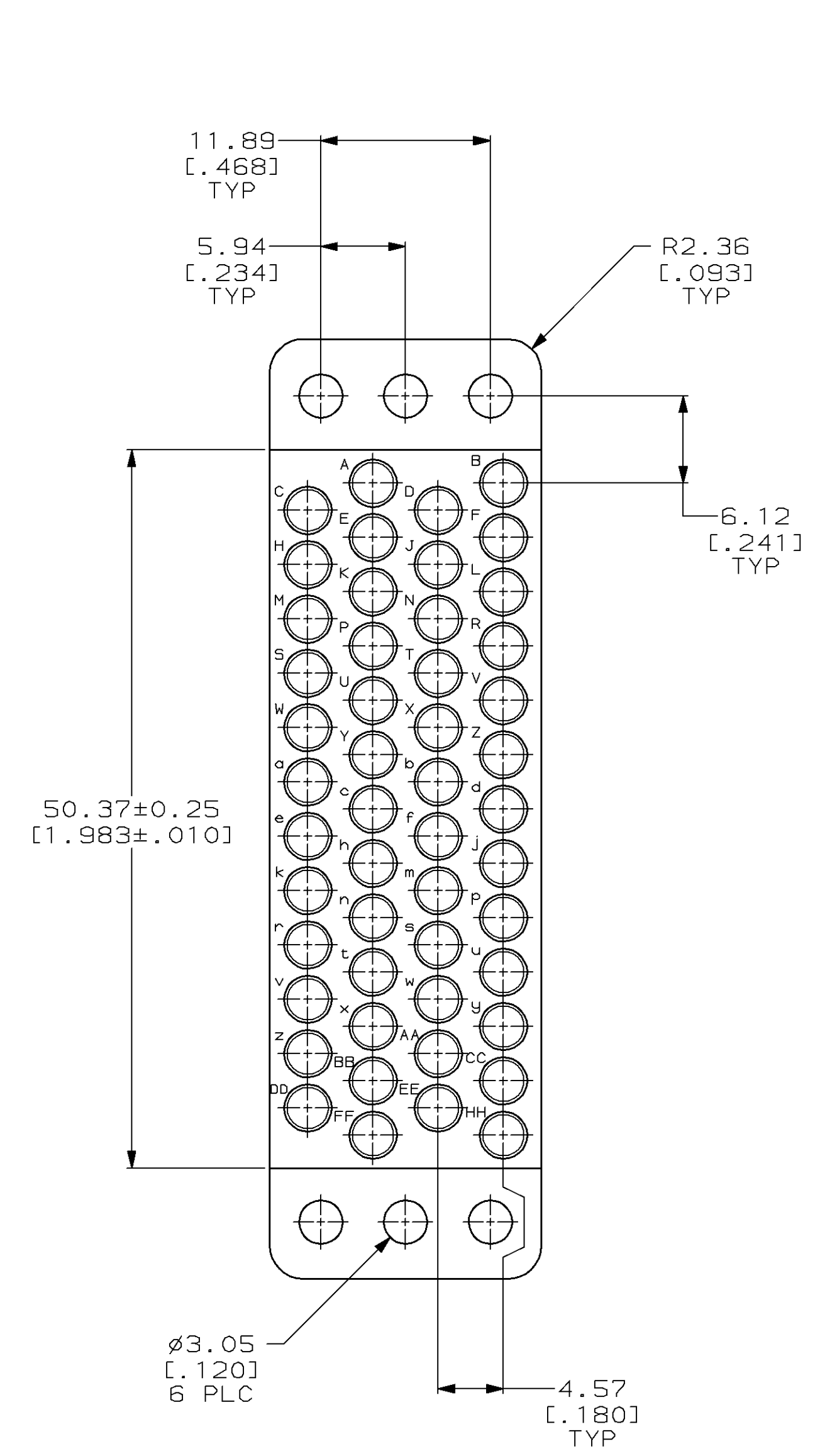
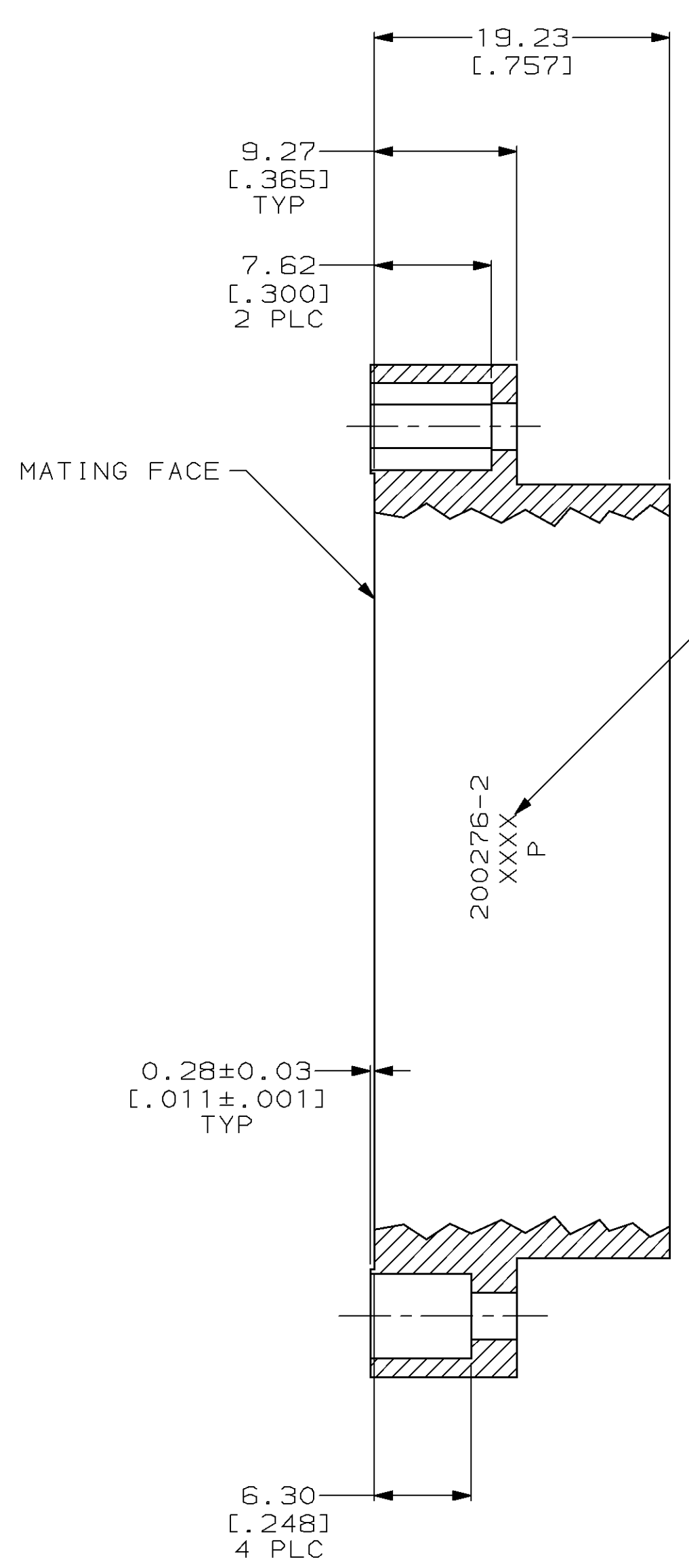
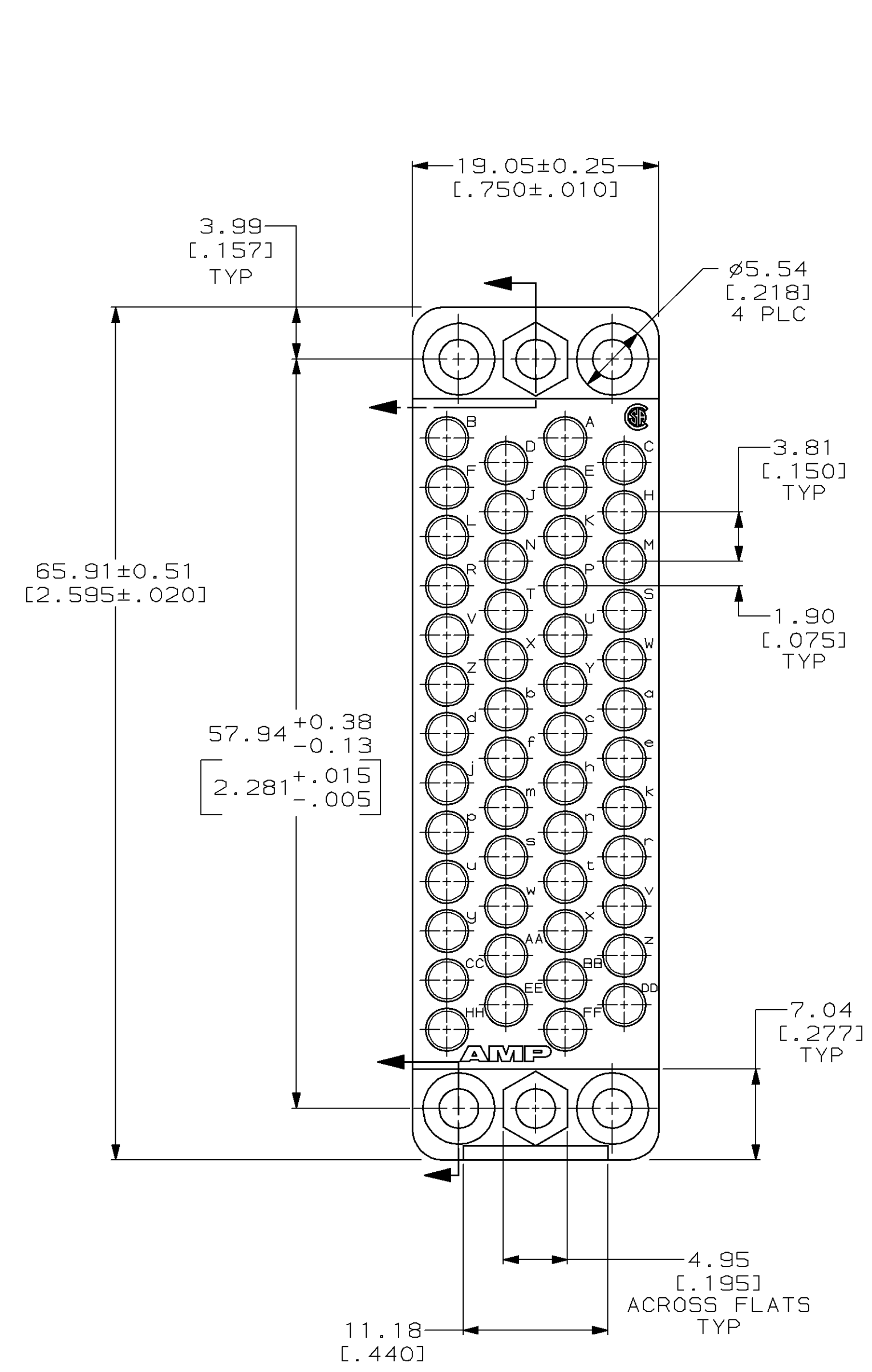


LOC	DIST	REVISIONS				
FT	8	REV	DESCRIPTION	DATE	BY	CHK
		AJ	REDRAWN W/O CHANGE PER EC 0020-290-96	23 JUL 97	-	-
		AK	OBSOLETE -7	24 JUL 97	BC	GS
			PER EC 0320-239-97			



- 1 PHENOLIC PER MIL-M-14, TYPE CFG, BLACK.
- 2 MATES WITH BLOCK 200277.
- 3 ACCOMODATES TYPE II #20 PIN CONTACTS.
- 4  $5.54^{+0.13}_0$   $[.218^{+.005}_{-.000}]$  WHEN USING JACKSCREWS.

200276-2  
PART NUMBER

THIS DRAWING IS A CONTROLLED DOCUMENT.		DWN B. CARBO	23 JUL 97	<b>AMP</b> AMP Incorporated Harrisburg, PA 17105-3508
DIMENSIONS: mm (INCHES)		CHK R. STONE	06 AUG 97	
TOLERANCES UNLESS OTHERWISE SPECIFIED:		APP'D G. STEINHAUER	07 AUG 97	NAME BLOCK, MALE, 50 POSITION, MINIATURE, RECTANGULAR M SERIES
0 PLC ±		PRODUCT SPEC		
1 PLC ±		APPLICATION SPEC		SIZE A1
2 PLC ±0.13 (.005)		WEIGHT		
3 PLC ±		CAGE CODE	000779	DRAWING NO 200276
4 PLC ±		RESTRICTED TO		
ANGLES ±		CUSTOMER DRAWING		SCALE 3:1
FINISH -		SHEET	1 OF 1	
MATERIAL		REV	AK	