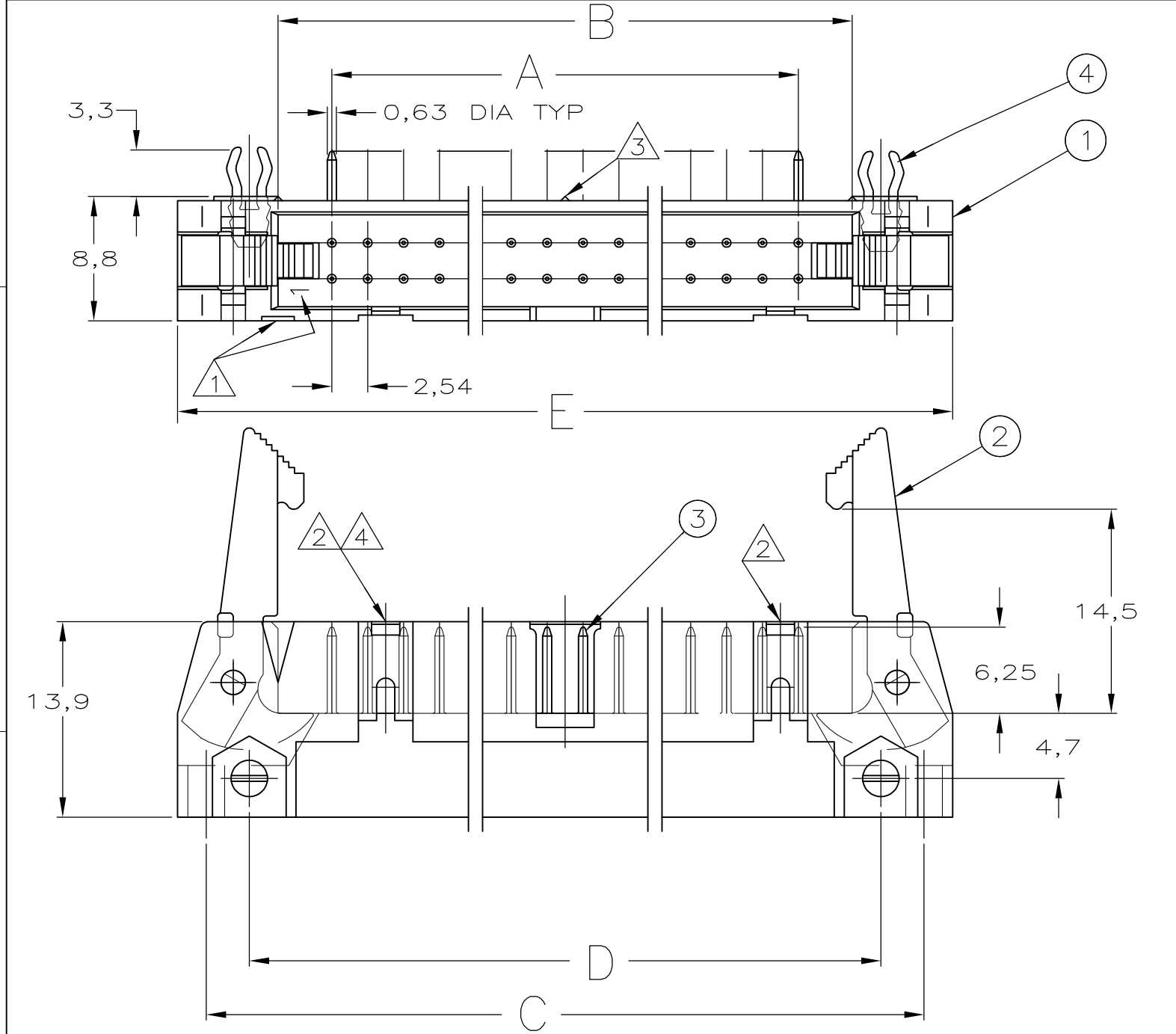
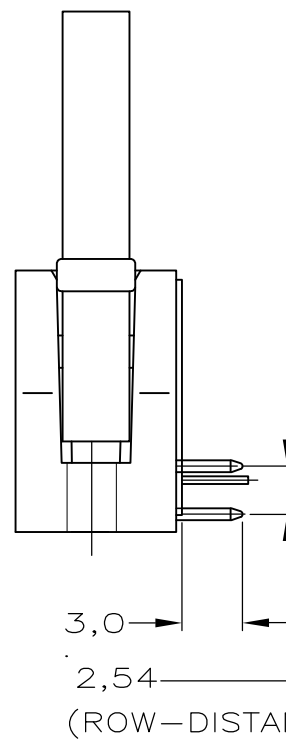
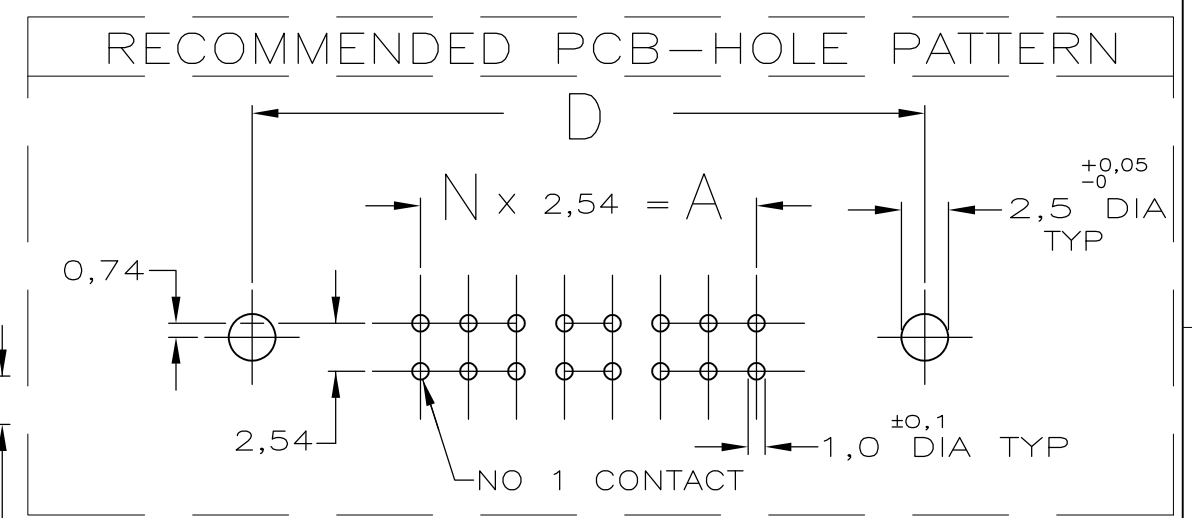


THIS DRAWING IS UNPUBLISHED. RELEASED FOR PUBLICATION  
 © COPYRIGHT - By - ALL RIGHTS RESERVED.

LOC	DIST	REVISIONS					
GP	00	P	LTR	DESCRIPTION	DATE	DWN	APVD
		D		REVISED PER ECO-12-015754	05SEP2012	CJV	SLB



- ① INDICATION OF FIRST POSITION.
- ② SNAP-IN POLARIZERS PN. 927636-2 OR 927637-2 CAN BE APPLIED HERE.
- ③ THERE IS NO CENTER STAND-OFF IN 10-26 POS HEADERS.
- ④ THERE IS NO WINDOW FOR SNAP-IN POLARIZERS AT THIS END IN 10 AND 14 POS HEADERS.



④ BOARD LOCK FOR AMP-LATCH PIN HEADER	BRONZE	5-10µm TIN OVER
③ PIN-CONTACT	BRASS	MATING SIDE: 0,8µm AU OR 0,8µm AMP DURAGOLD® / OVER 1,27µm NI SOLDER SIDE: MIN. 3,0µm SN OVER 1,27µm NI
② LATCH	GLASS FILLED POLYESTER	BLACK
① HOUSING	GLASS FILLED POLYESTER	BLACK
COMPONENT NAME	MATERIAL	PLATING / COLOUR

100,6	90,4	96,5	86,4	78,7	64	6-216419-4
95,5	85,3	91,4	81,3	73,7	60	6-216419-0
82,8	72,6	78,7	68,6	61,0	50	5-216419-0
70,1	59,9	66,0	55,9	48,3	40	4-216419-0
62,5	52,3	58,4	48,3	40,6	34	3-216419-4
52,3	42,2	48,3	38,1	30,5	26	2-216419-6
44,7	34,5	40,6	30,5	22,9	20	2-216419-0
39,6	29,5	35,6	25,4	17,8	16	1-216419-6
37,1	26,9	33,0	22,9	15,2	14	1-216419-4
32,0	21,8	27,9	17,8	10,2	10	1-216419-0
E	D	C	B	A	NO OF POSITIONS	PART NUMBER

THIS DRAWING IS A CONTROLLED DOCUMENT. DIMENSIONING AND TOLERANCING PER ASME Y14.5M-2009

DIMENSIONS:	TOLERANCES UNLESS OTHERWISE SPECIFIED:
mm	
0 PLC	± -
1 PLC	± -
2 PLC	± -
3 PLC	± -
4 PLC	± -
ANGLES	± -
FINISH	
MATERIAL	

STE TE Connectivity

AMP-LATCH EJECTION-STYLE PIN HEADER 90  
 VERSION WITH LATCHES AND BOARD LOCK DEVICE

APVD: R.HOGEVEEN (17-04-89), R.VERSTIJNEN (18-04-89), L.v.SOEST (19-04-89)

SIZE: A3, CAGE CODE: 00779, DRAWING NO: C-216419

CUSTOMER DRAWING, SCALE: -, SHEET: 1 OF 1, REV: D