



THIS DRAWING IS UNPUBLISHED.  
 RELEASED FOR PUBLICATION  
 ALL RIGHTS RESERVED.

SEP. 2007.

Loc  
ES

DIST

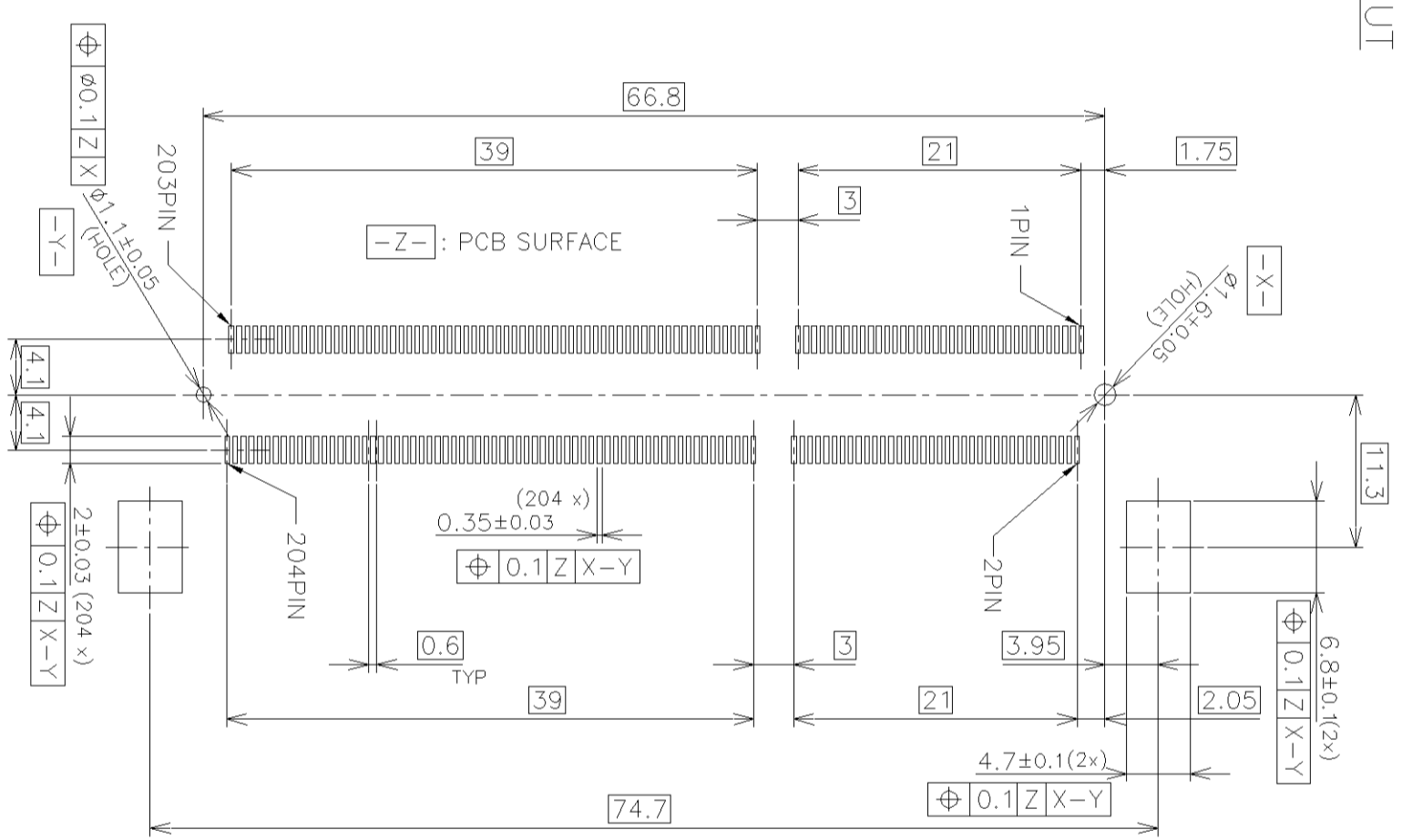
P LTR

SEE SHEET 1

REVISIONS

DESCRIPTION	DATE	DWN	APVD
-	-	-	-

# REFERENCE P.C. BOARD PATTERN LAYOUT (CONNECTOR MOUNTING SIDE)



STD TYPE

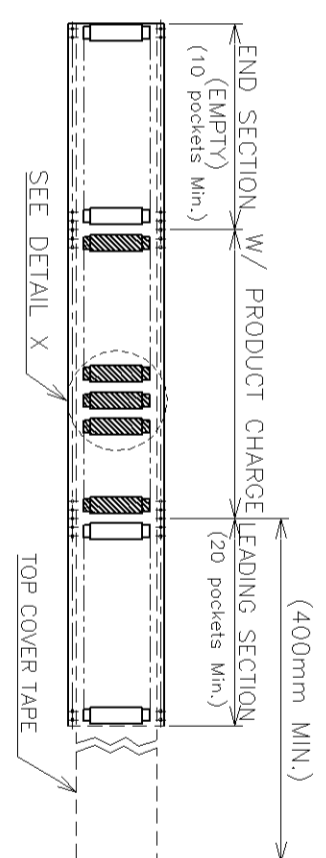
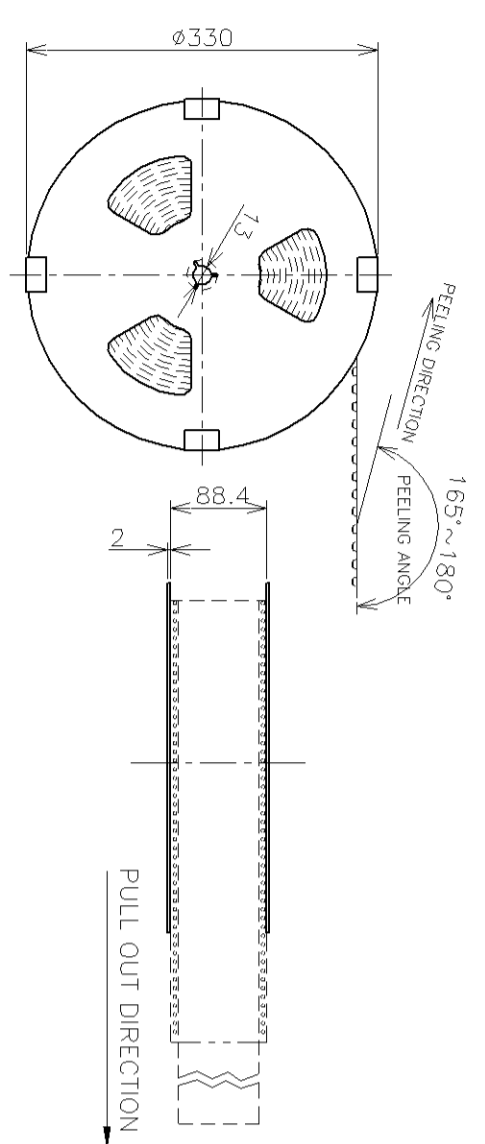
THIS DRAWING IS A CONTROLLED DOCUMENT.

DIMENSIONS: MM	TOLERANCES UNLESS OTHERWISE SPECIFIED:
0 PLC	±
1 PLC	±
2 PLC	±
3 PLC	±
4. PRC ANGLES	±
MATERIAL	FINISH

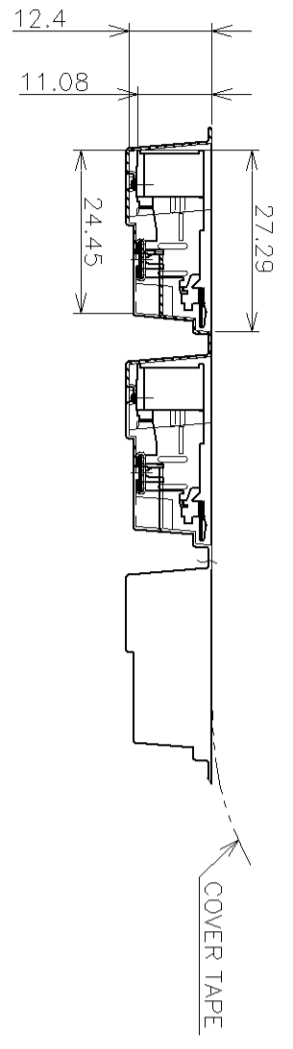
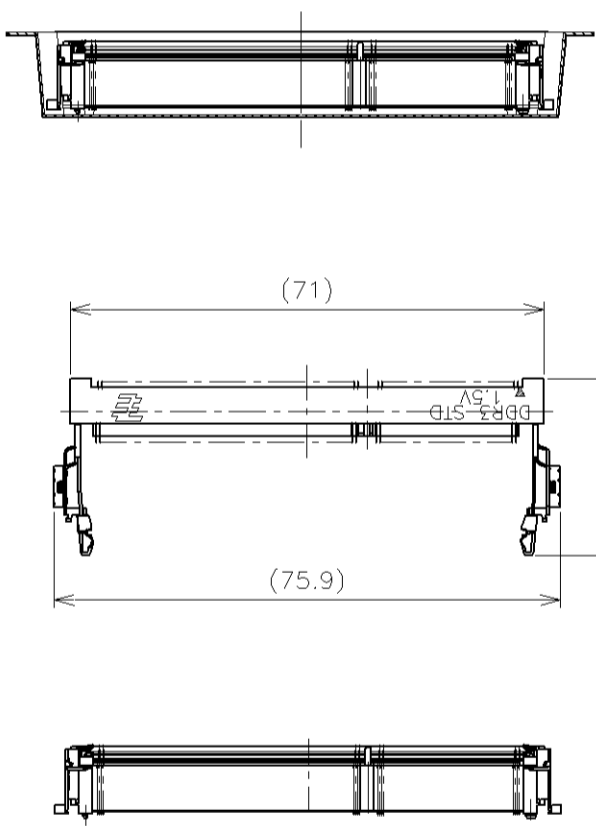
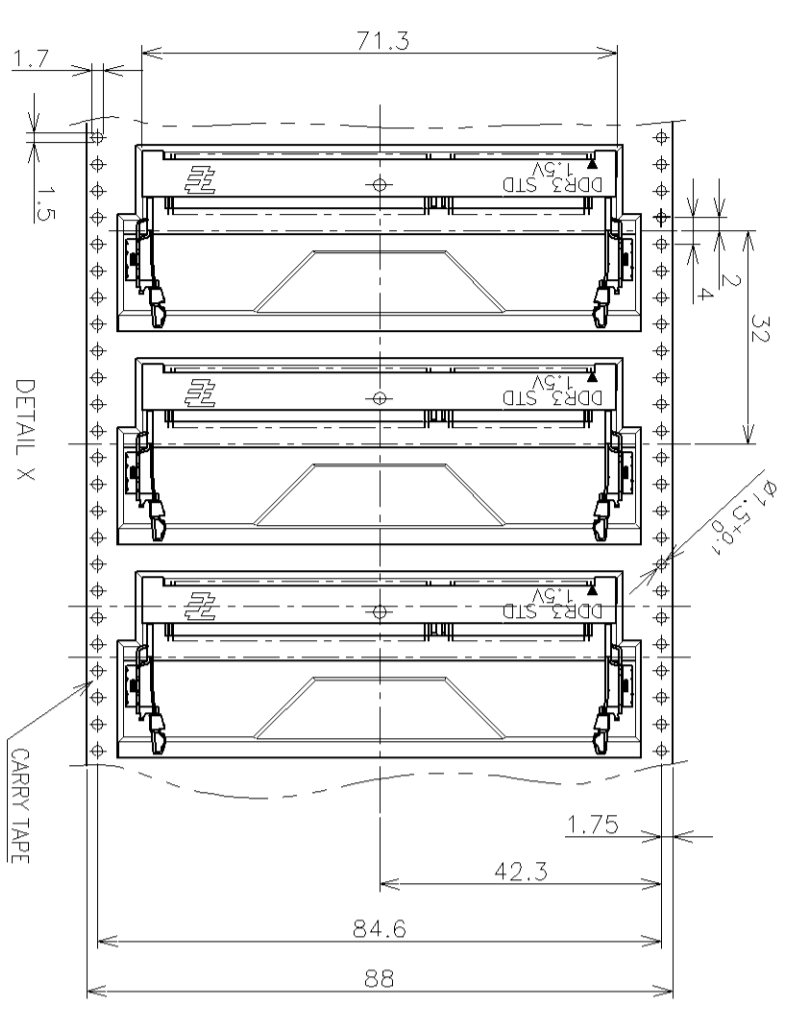
DWN	NAME	Tyco Electronics	Tyco Electronics Corporation Shanghai, P.R.China 200233
CHK	APVD		
PRODUCT SPEC	PRODUCT SPEC	DDR3 SODIMM SOCKET	
APPLICATION SPEC	APPLICATION SPEC	0.6mm PITCH 204POS	
WEIGHT	SIZE	10.1mm HEIGHT STANDARD TYPE	
CUSTOMER DRAWING	SIZE	A3	
	CAGE CODE	00779	
	DRAWING NO	1932393	
	SCALE	2:1	
	SHEET	2 OF 4	
	REV	A	



Loc	DIST	REVISIONS	DATE	DWN	APVD
ES					
P	LTR	DESCRIPTION			
-		SEE SHEET 1			



(APPLIED TO SHEET 4)  
 1. THE DIRECTION OF EACH CONNECTOR ON  
 A EMBOSS IS REFERRED TO THIS DRAWING.  
 2. GENERAL TOLERANCE:  $\pm 0.5$ ,  $\pm 3^\circ$



THIS DRAWING IS A CONTROLLED DOCUMENT.

DIMENSIONS: MM		TOLERANCES UNLESS OTHERWISE SPECIFIED:	
0 PLC	$\pm 0.5$	1 PLC	$\pm 0.5$
1 PLC	$\pm 0.5$	2 PLC	$\pm 0.5$
2 PLC	$\pm 0.5$	3 PLC	$\pm 0.5$
3 PLC	$\pm 0.5$	4 PLC	$\pm 0.5$
4 PLC	$\pm 0.5$	ANGLES	$\pm 3^\circ$
MATERIAL		FINISH	
APVD		NAME	
PRODUCT SPEC		Tyco Electronics	
APPLICATION SPEC		Tyco Electronics Corporation Shanghai, P.R.China 200233	
SIZE	CAGE CODE	DRAWING NO	RESTRICTED
A3	00779	1932393	NO
WEIGHT		CUSTOMER DRAWING	
SCALE		SHEET	
1:2		4 OF 4	
REV		A	

150EA	2-1932393-2
150EA	2-1932393-1
QTY/REEL	PART NO.