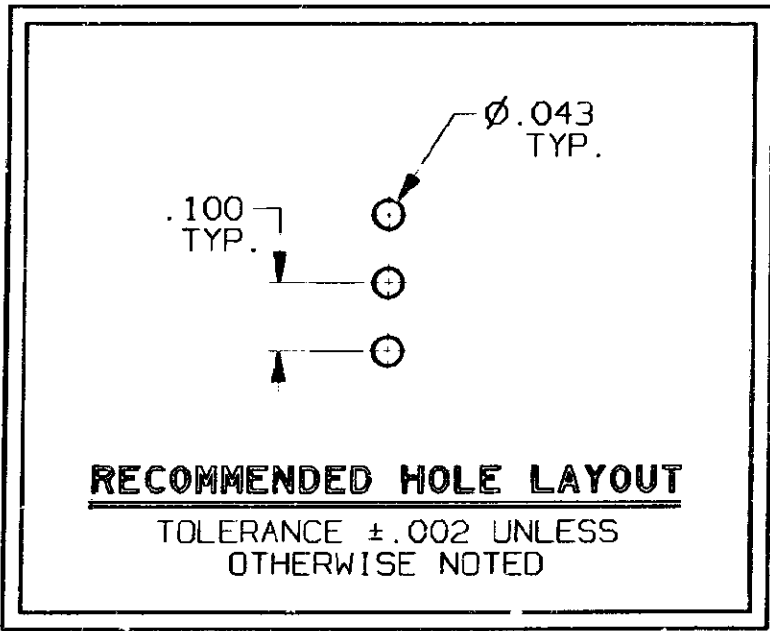
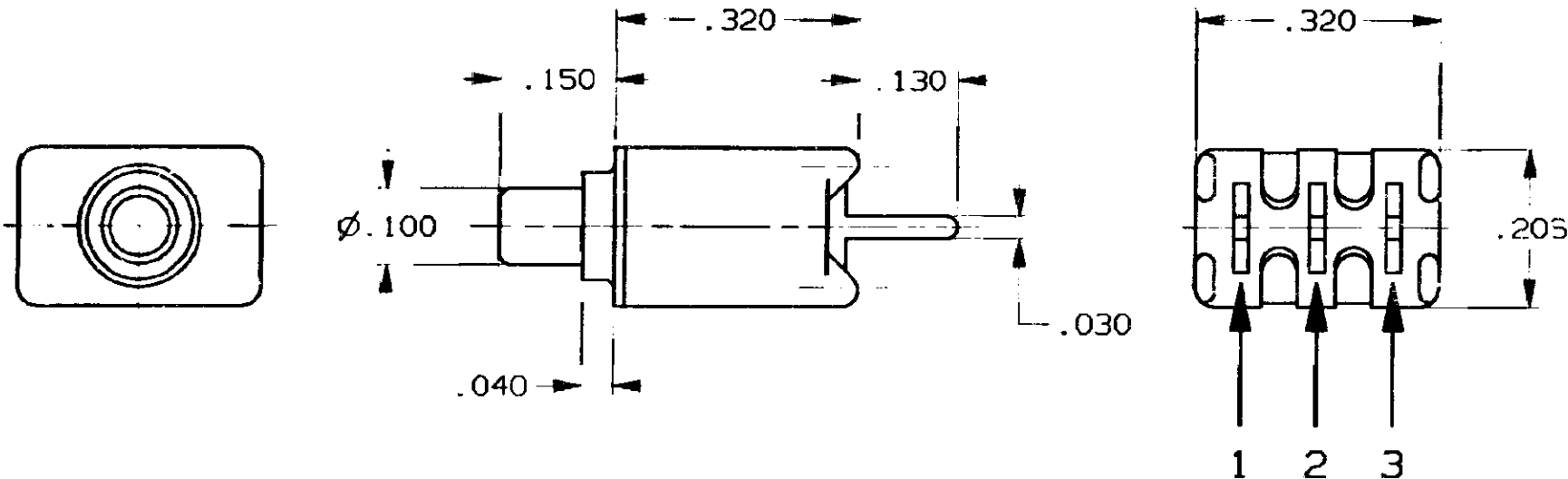
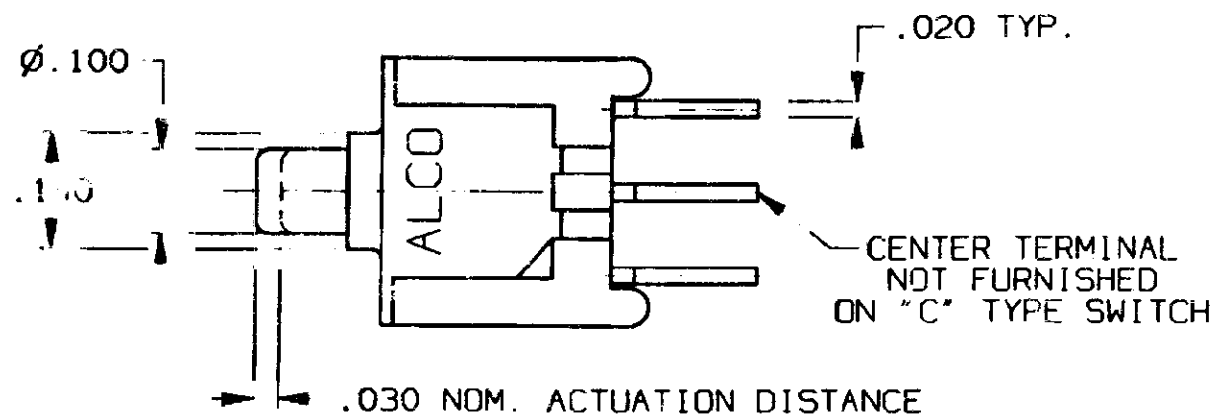


CONVERSION CHART	
INCH	MM
.002	0.05
.010	0.25
.020	0.50
.030	0.76
.040	1.01
.043	1.09
.100	2.54
.110	2.79
.130	3.30
.140	3.55
.150	3.81
.206	5.23
.320	8.12



OPTIONS	
[**]	BUTTON COLOR
[0]	BLACK
[2]	RED
[9]	WHITE

SPECIFICATIONS:

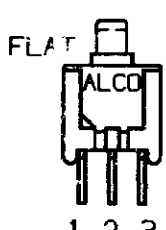
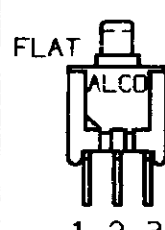
MATERIALS:
CASE: HIGH TEMPERATURE POLYESTER, UL94V-0.
ACTUATOR BUTTON: POLYAMIDE. (SEE OPTIONS CHART).
TERMINALS: COPPER ALLOY, TIN/LEAD PLATE.
TERMINAL SEAL: SP EPOXY.
MOVING CONTACT: COPPER ALLOY, GOLD PLATE.
FIXED CONTACTS: COPPER ALLOY, GOLD PLATE.

ELECTRICAL:
CONTACT RATING, GOLD: 0.4 VA MAX. @ 20VDC OR PEAK AC.
INITIAL CONTACT RESISTANCE: 20 MILLIOHMS MAX.
INSULATION RESISTANCE: 1,000 MEGOHMS @ 500 VDC MIN.
DIELECTRIC STRENGTH: 1000 VOLTS RMS @ SEA LEVEL.
LIFE EXPECTANCY: 60,000 CYCLES.

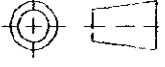

MECHANICAL:
ACTUATION FORCE: 50 TO 400 GRAMS.
ACTUATION TRAVEL: .030 IN. APPROX.


ENVIRONMENTAL:
OPERATING TEMPERATURE: -22°F TO +149°F (-30°C TO +65°C).
STORAGE TEMPERATURE: -22°F TO +149°F (-30°C TO +65°C).

NOTES: UNLESS OTHERWISE SPECIFIED
1. INTERPRET DRAWING PER ANSI Y14.5M 1982.

CIRCUIT CONNECTIONS		
SWITCH (*) MODEL NO.	FLAT  1 2 3	FLAT  1 2 3
TPA11(C)G-PC	OFF	3-1 (MOM)
TPA11(F)G-PC	2-1	2-3 (MOM)

NOTES:
TERMINALS CONNECTED WHEN BUTTON IS IN POSITIONS SHOWN.
TERMINAL DESIGNATION NUMBERS ARE FOR REFERENCE ONLY, AND DO NOT APPEAR ON SWITCHES.

CUSTOMER DRAWING			
SPECIFICATIONS ARE SUBJECT TO CHANGES WITHOUT NOTICE			
 THIRD ANGLE PROJECTION TOLERANCES (EXCEPT AS NOTED) ANGULAR = ±1° DECIMAL .XXX = ±.010	UNLESS OTHERWISE SPECIFIED DIMENSIONS ARE IN MILLI-METERS. DO NOT SCALE PRINT MATERIAL: SEE SPECIFICATIONS FINISH: SEE SPECIFICATIONS	ORIGINAL DATE OF DRAWING: 9-23-96 DRAWN: C. THEODORE DATE: 9-23-96 CHECKED: DATE: APPROVED: DATE:	 TITLE: CUSTOMER DRAWING PUSHBUTTON SWITCH, (TPA11(*)G-PC[**]) DWG NO. 2-1437571-5 PRODUCT CODE: SCALE: SHEET 1 OF 1

AUGAT D/N 40102	
THIS IS A C.A.D. GENERATED DRAWING. DO NOT MAKE MANUAL REVISIONS TO MASTER.	
	
TITLE: CUSTOMER DRAWING PUSHBUTTON SWITCH, (TPA11(*)G-PC[**])	
DWG NO.	REV.
2-1437571-5	A
PRODUCT CODE: SCALE: SHEET 1 OF 1	

REV	A
REVISIONS	0G3C-0173-02