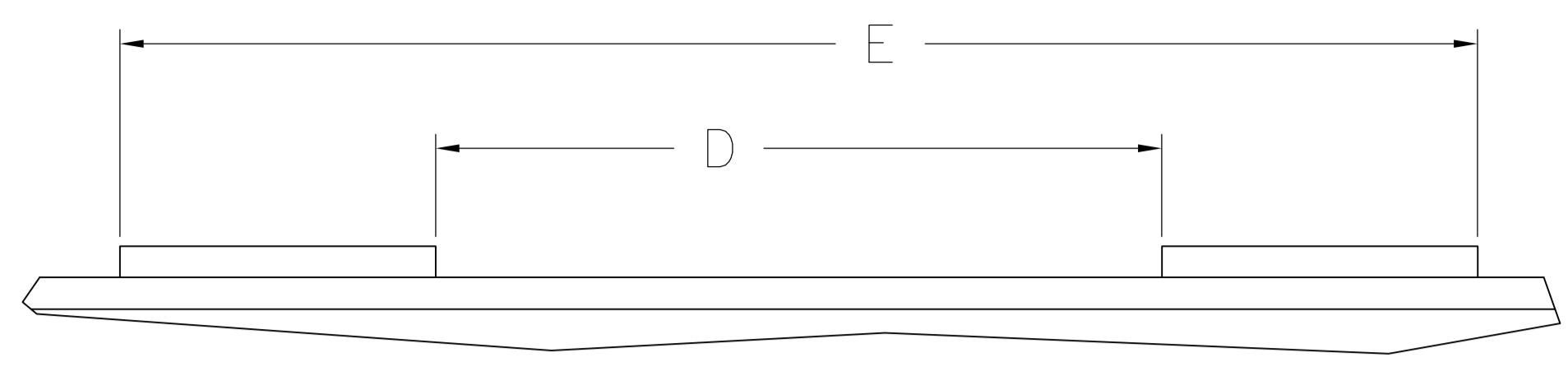
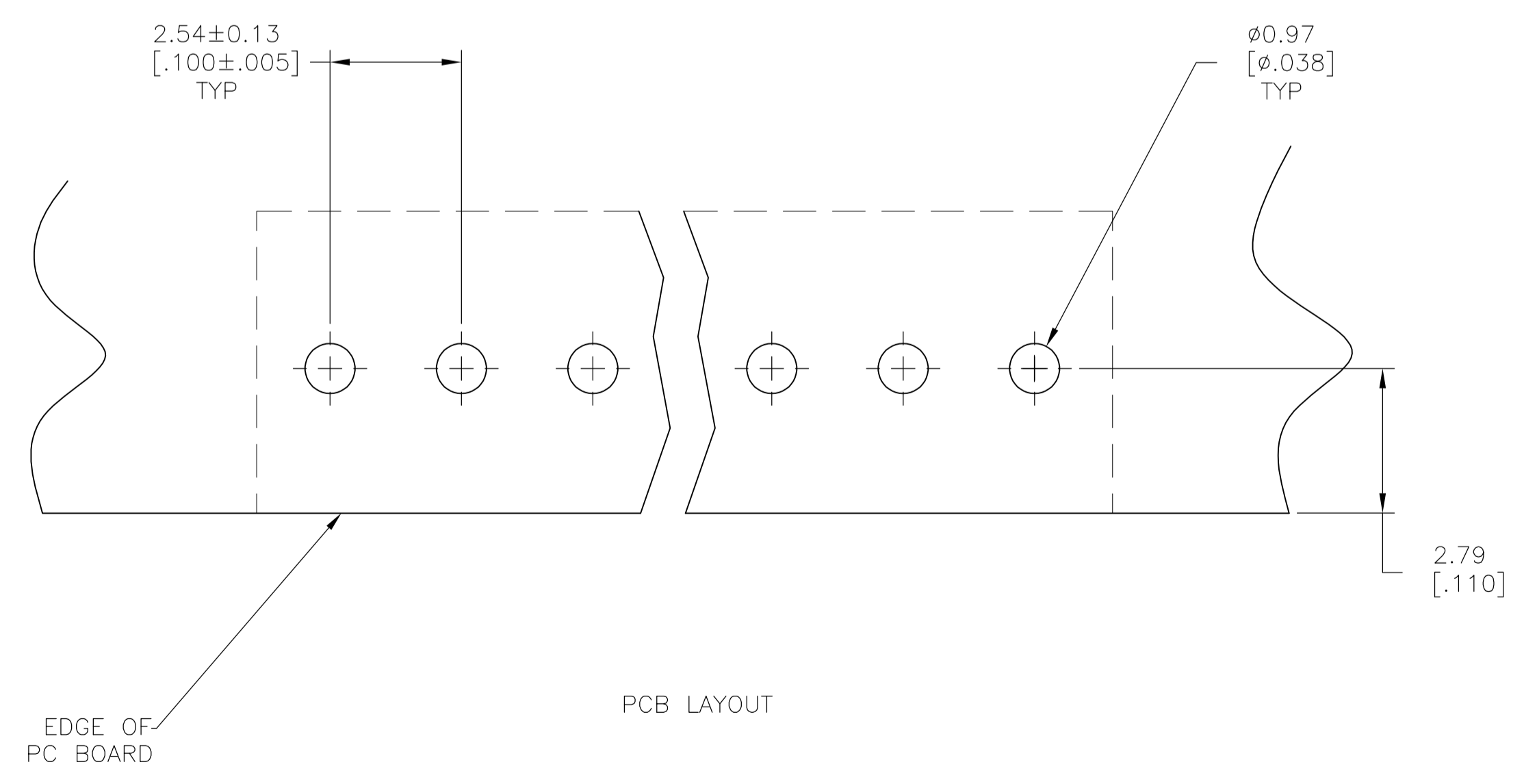
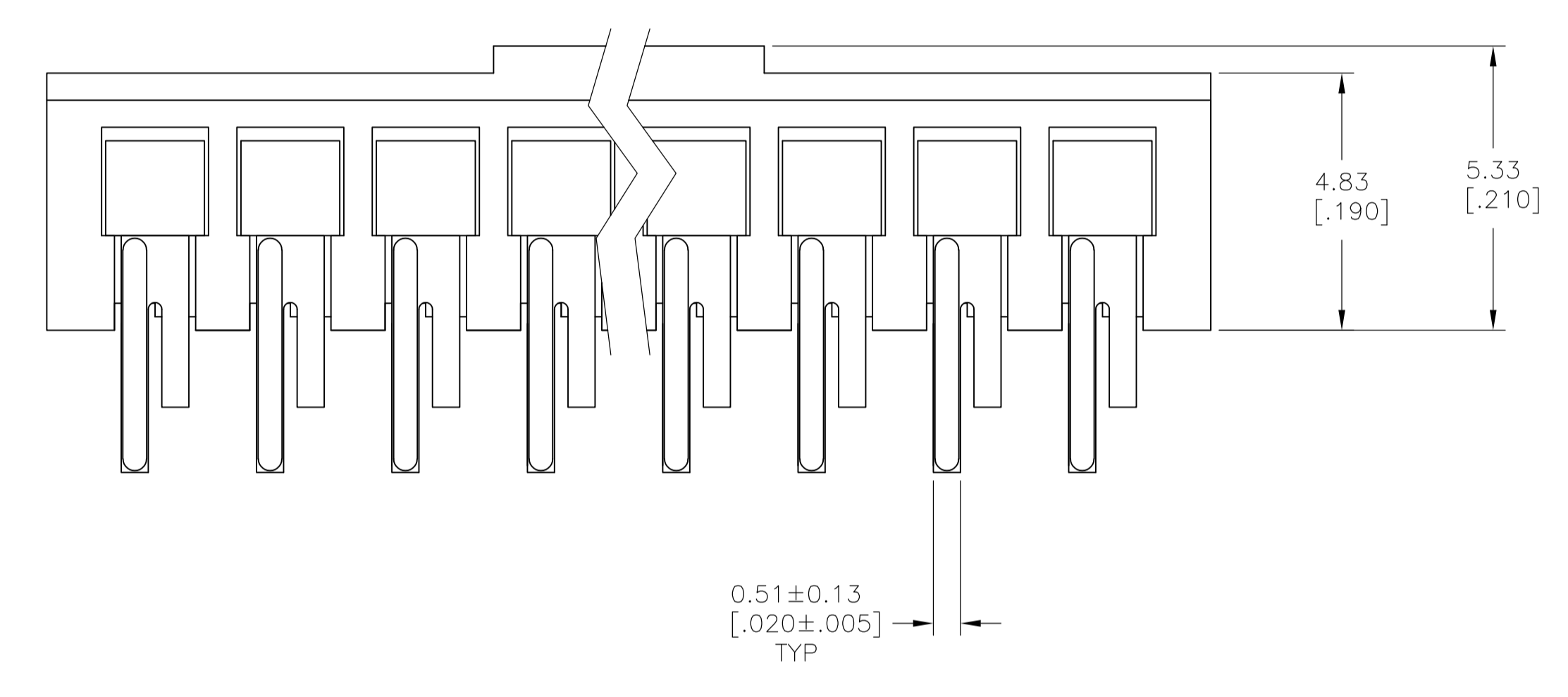
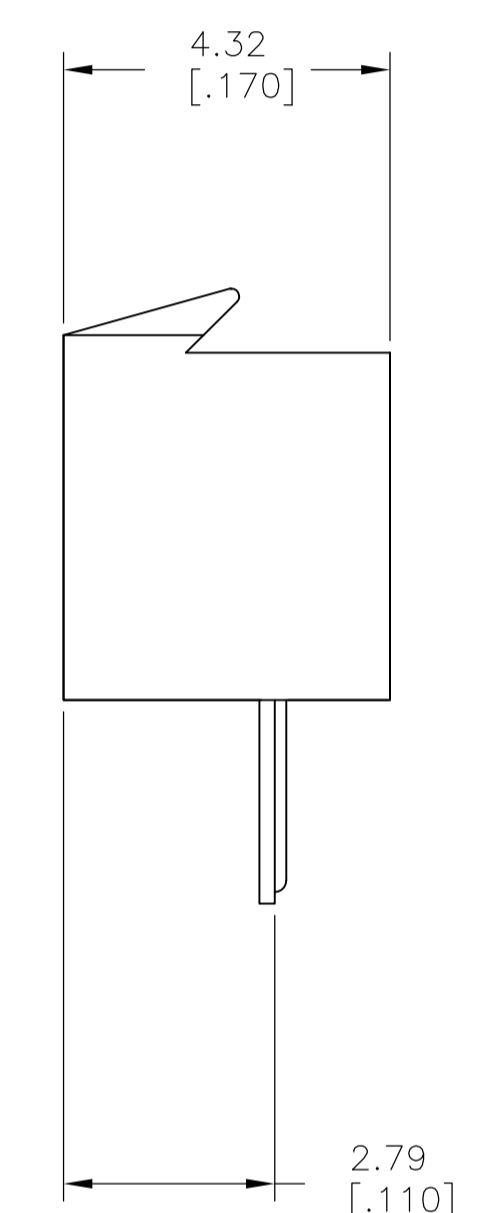
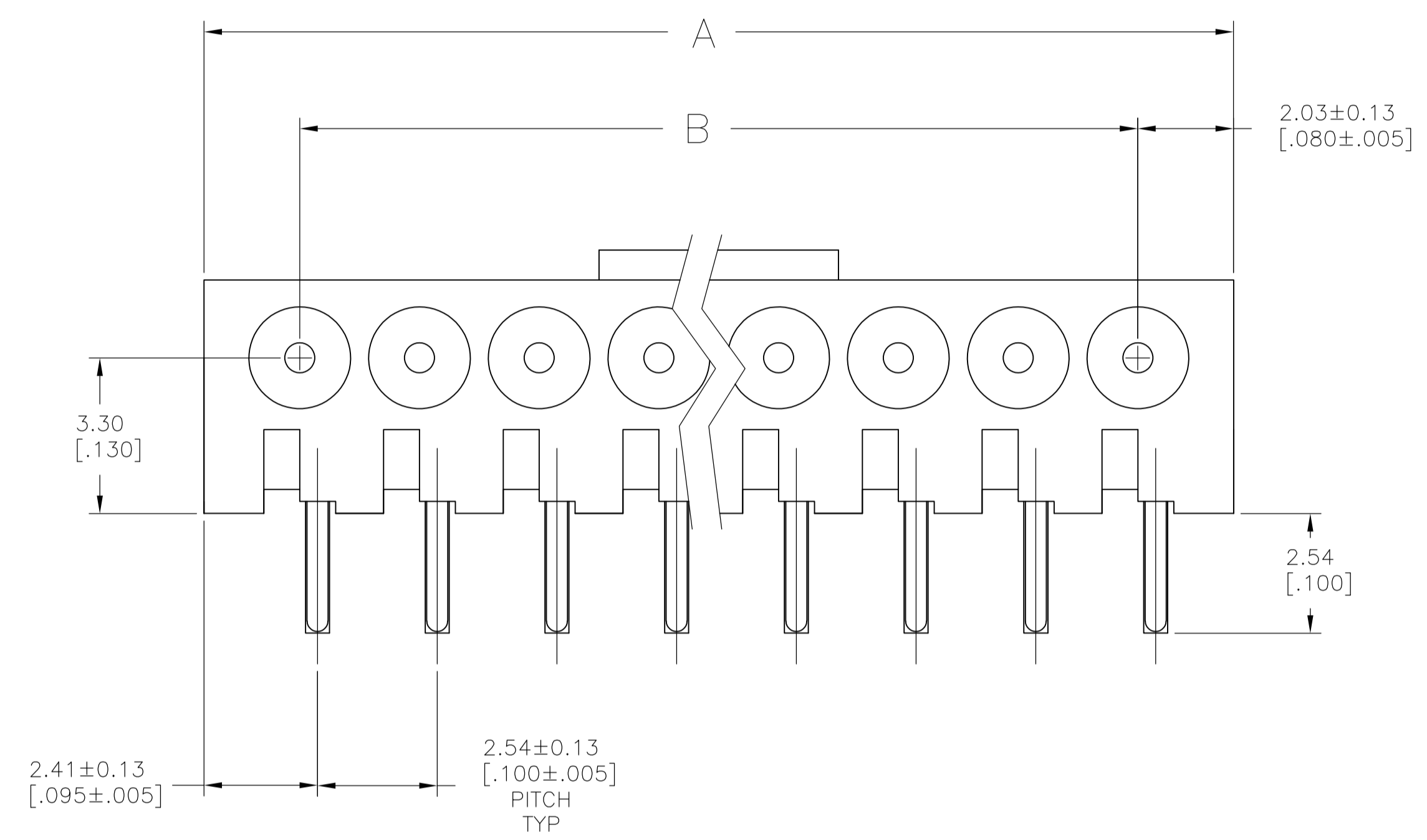


SINGLE LATCH



DUAL LATCH

- 1 MATERIAL:
HOUSING: 30% GF POLYESTER, COLOR: BLUE.
CONTACTS: COPPER ALLOY
- 2 FINISH: 2.54um [.000100] MIN THICK MATTE TIN OVER
2.54um [.000100] MIN THICK NICKEL UNDERPLATE.
- 3. PACKAGED IN TUBES



PCB LAYOUT

42.16 (1.660)	32.00 (1.260)	N/A	58.42 (2.300)	62.48 (2.460)	24	FHS-24LF	1888290-9
32.00 (1.260)	21.84 (0.860)	N/A	48.26 (1.900)	52.32 (2.060)	20	FHS-20LF	1888290-8
32.00 (1.260)	21.84 (0.860)	N/A	43.18 (1.700)	47.25 (1.860)	18	FHS-18LF	1888290-7
21.84 (0.860)	11.68 (0.460)	N/A	38.10 (1.500)	42.16 (1.660)	16	FHS-16LF	1888290-6
21.84 (0.860)	11.68 (0.460)	N/A	33.02 (1.300)	37.08 (1.460)	14	FHS-14LF	1888290-5
			27.94 (1.100)	32.00 (1.260)	12	FHS-12LF	1888290-4
N/A	N/A	7.62 (0.300)	22.86 (0.900)	26.92 (1.060)	10	FHS-10LF	1888290-3
N/A	N/A	7.62 (0.300)	20.32 (0.800)	24.38 (0.960)	9	FHS-09LF	1888290-2
N/A	N/A	5.08 (0.200)	17.78 (0.700)	21.84 (0.860)	8	FHS-08LF	1888290-1
E	D	C	B	A	NO OF POSN	T&B CATALOG NUMBER REF	TE PART NUMBER

OBSOLETE

THIS DRAWING IS A CONTROLLED DOCUMENT.

DIMENSIONS: mm [INCHES]	TOLERANCES UNLESS OTHERWISE SPECIFIED:	DIN D1 MCMMASTER 06JUN06	STE TE Connectivity
0 PLC ± -	1 PLC ± -	CIK D GORENC 06JUN06	ASSEMBLY, RIGHT ANGLE SOCKET CONNECTOR
2 PLC ± ±.25[.010]	3 PLC ± -	APVD D GORENC 06JUN06	NAME
4 PLC ± -	ANGLES ± -	PRODUCT SPEC	APPLICATION SPEC
MATERIAL	FINISH	WEIGHT	SIZE CAGE CODE DRAWING NO RESTRICTED TO
			A1 00779 C=1888290
CUSTOMER DRAWING		SCALE 10:1	SHEET 1 OF 1 REV C