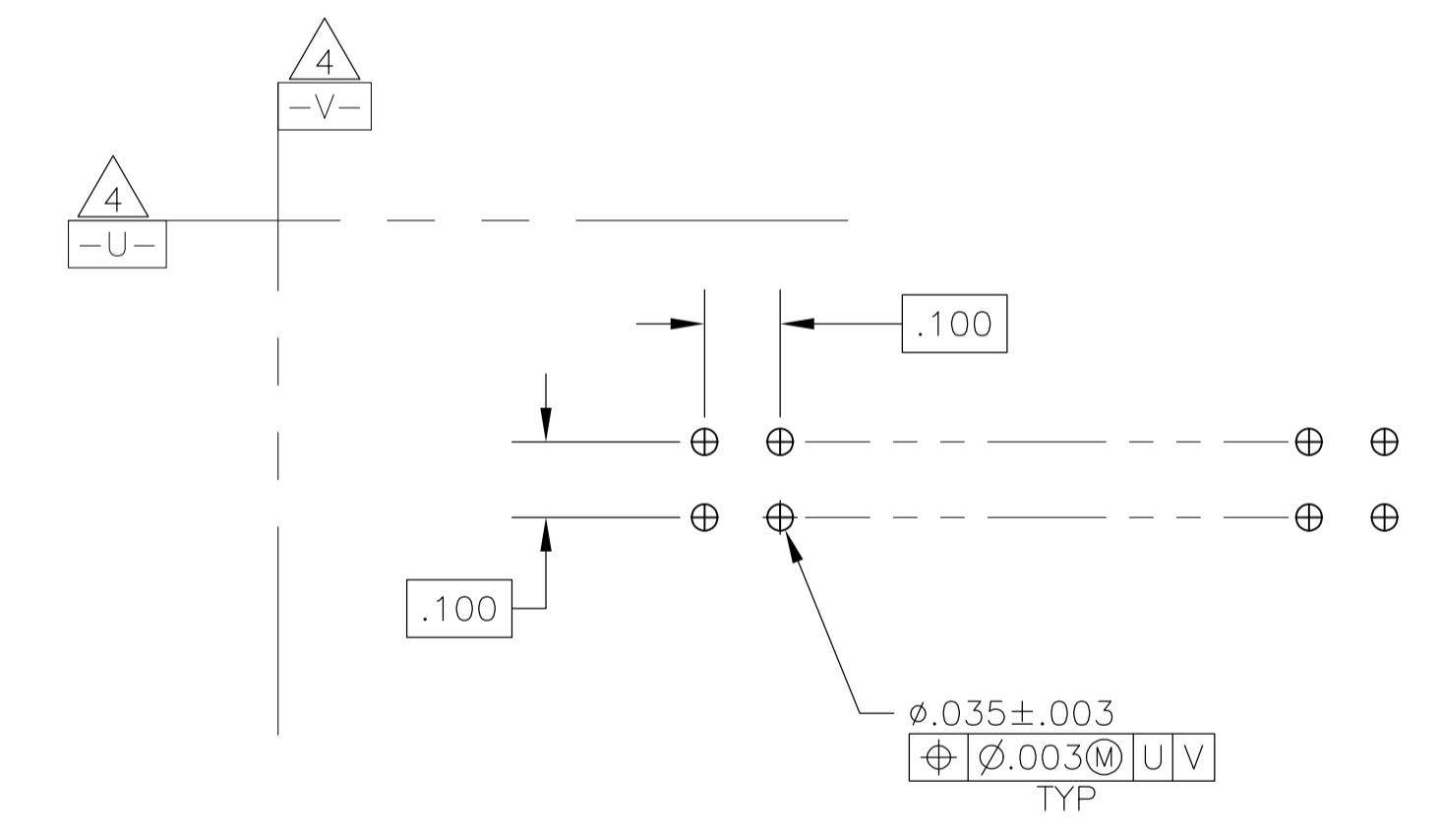
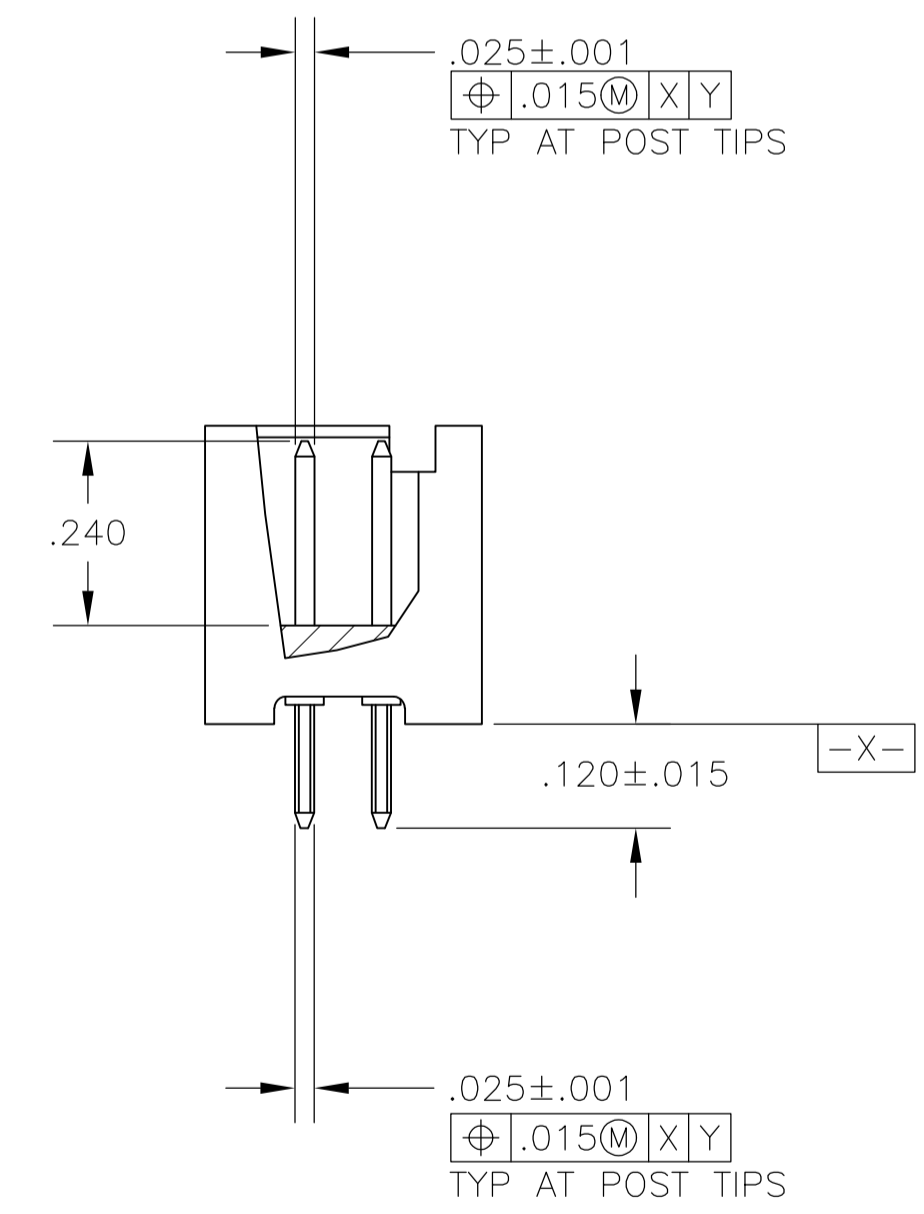
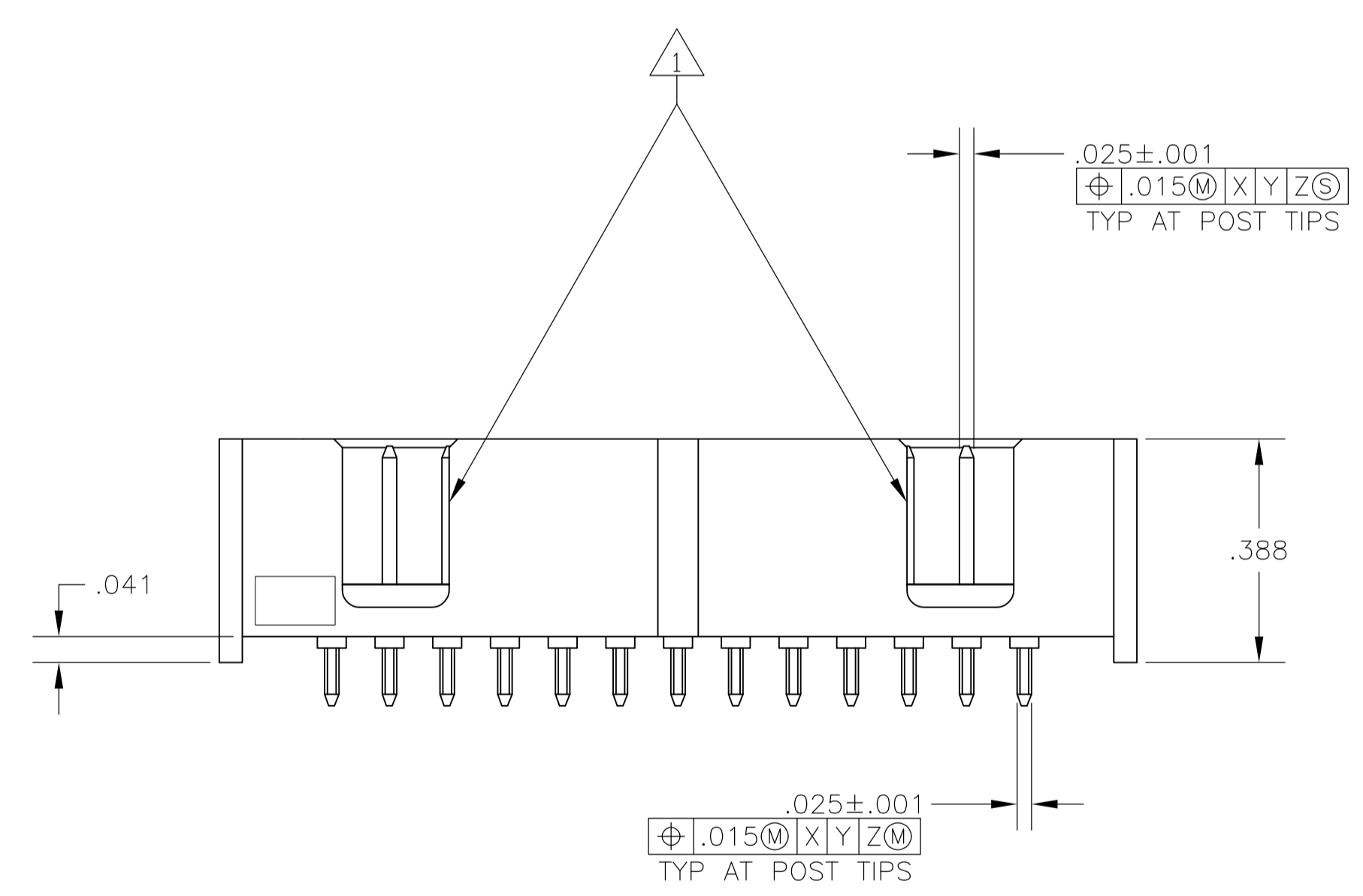


- ① DOUBLE BAR POLARIZATION SLOTS.
- ② CENTER POLARIZATION SLOT.
- ③ POST OMITTED IN POSITION NO. 26.
- ④ DATUMS U AND V TO BE ESTABLISHED BY THE CUSTOMER.
- ⑤ HOUSING: GLASS FILLED NYLON OR PBT, BLACK, UL 94V-0 RATED. POSTS: BRASS.
- ⑥ POSTS: GOLD FLASH OVER PALLADIUM-NICKEL PLATE, .000015 MIN TOTAL ON THE MATING SURFACES, .000100 MIN TIN PLATE ON THE SOLDER-TAILS, .000050 MIN NICKEL UNDERPLATE ON THE ENTIRE POST.
 -OR-
 .000015 MIN GOLD PLATE ON THE MATING SURFACES, .000100 MIN TIN PLATE ON THE SOLDER-TAILS, .000050 MIN NICKEL UNDERPLATE ON THE ENTIRE POST.



RECOMMENDED PCB LAYOUT

1888196-1
 PART NUMBER

THIS DRAWING IS A CONTROLLED DOCUMENT.		DN C. LAUBACH 16 DEC 05	Tyco Electronics Tyco Electronics Corporation Harrisburg, PA 17105-3608
DIMENSIONS: INCHES		CHK S. BOLASH 16 DEC 05	
TOLERANCES UNLESS OTHERWISE SPECIFIED:		APVD M. WALMSLEY 16 DEC 05	NAME HEADER ASSY, 26 POSITION, VERTICAL, LOW PROFILE, AMP-LATCH
0. PLC ± -		PRODUCT SPEC	108-40018
1. PLC ± -		APPLICATION SPEC	
2. PLC ± -		SIZE	A1
3. PLC ± .005		WEIGHT	00779
4. PLC ± -		SCALE	4:1
ANGLES ± -		SHEET	1 OF 1
		REV	E
MATERIAL ⑤	FINISH ⑥	CUSTOMER DRAWING	