

4

3

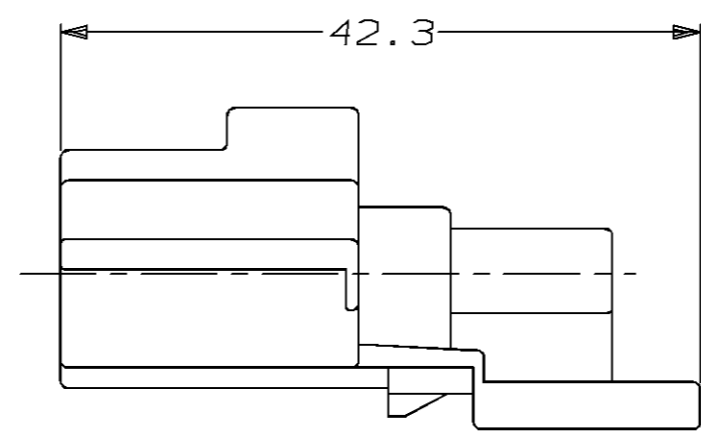
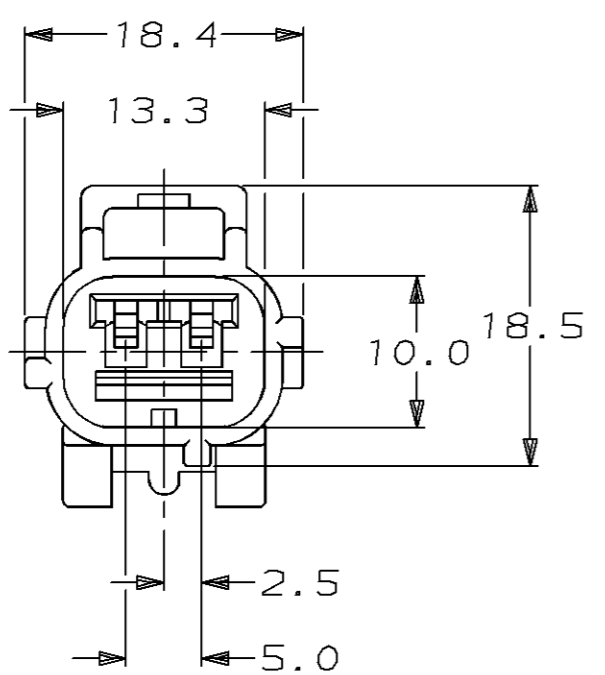
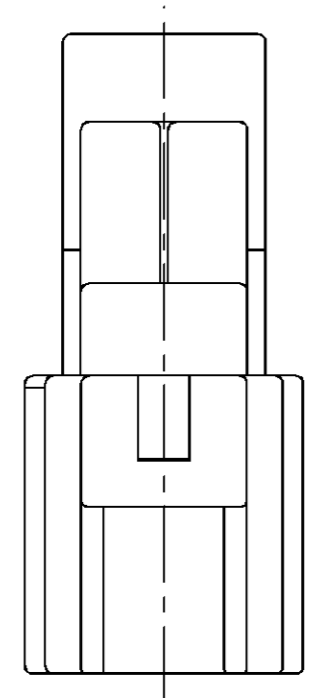
2

1

THIS DRAWING IS UNPUBLISHED. RELEASED FOR PUBLICATION, 19 .

© COPYRIGHT 19 BY AMP INCORPORATED. ALL RIGHTS RESERVED.

LOC	DIST	REVISIONS			
P	LTR	DESCRIPTION	DATE	DWN	APVD
G	16	0	INITIAL RELEASE	02/14/96	KW JK
		A	REV PER ECN #OKSO-0014-96	09/20/96	KW JK



184171-1

PART NUMBER

<small>THIS DRAWING IS A CONTROLLED DOCUMENT FOR AMP INCORPORATED. IT IS SUBJECT TO CHANGE AND THE CONTROLLING ENGINEERING ORGANIZATION SHOULD BE CONTACTED FOR THE LATEST REVISION.</small>		DWN	K. WISE	02/14/96	 AMP Incorporated Harrisburg, PA 17105-3608
DIMENSIONS:		CHK	J. KUNKLE	03/08/96	
mm		APVD	J. KUNKLE	03/08/96	
		PRODUCT SPEC	NAME		
TOLERANCES UNLESS OTHERWISE SPECIFIED: 0 PLC ±- 1 PLC ±0.3 2 PLC ±- 3 PLC ±- 4 PLC ±- ANGLES ±- FINISH BLACK		APPLICATION SPEC	CAP HSG, SSC, 2 POSN J KEY		
MATERIAL		WEIGHT	SIZE		CAGE CODE
PBT, 15% GLASS FILLED		CUSTOMER DRAWING	A3		00779
			DRAWING NO		©-184171
			SCALE	SHEET	REV
			2:1	1 OF 1	A